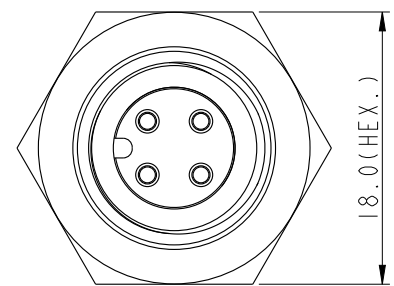
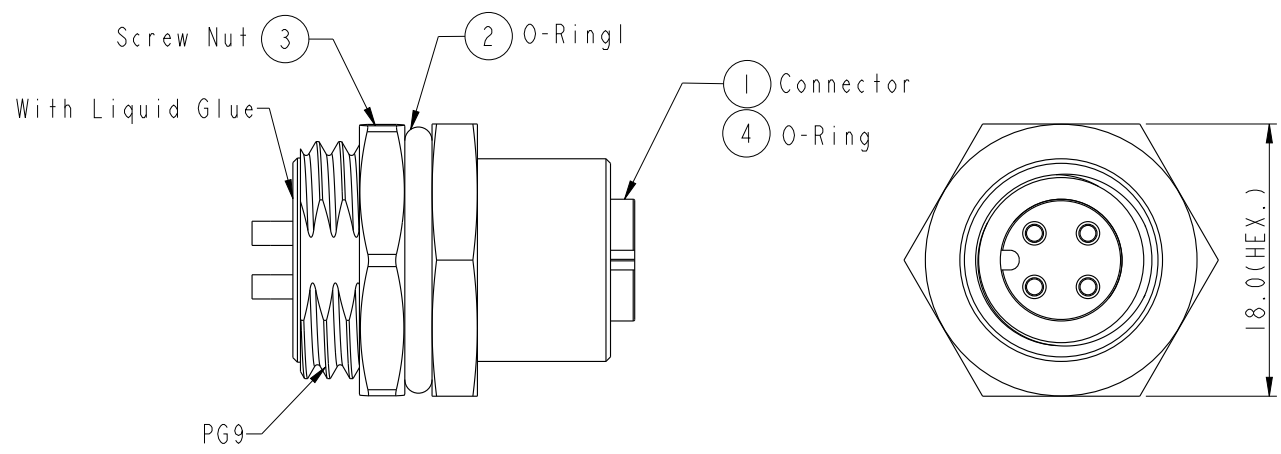
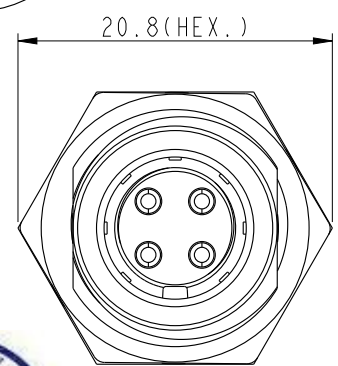


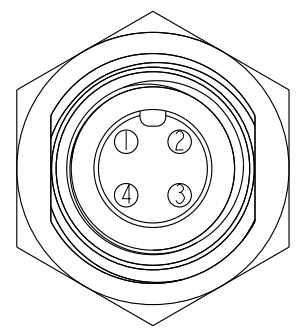
THIS DOCUMENT IS SUBJECT TO CHANGE WITHOUT NOTICE. IT IS CONFIDENTIAL AND A PROPERTY OF AMPHENOL LTW. DISCLOSURE TO THIRD PARTY HAS TO BE AUTHORIZED BY AMPHENOL LTW.

REV.	ECN NO.	DATE	SIGN	DESCRIPTION
B	LEN-7A0007	2007/09/29	Myrdal	Added Note
C	LEN1370284	2013/07/19	Rensong	chang demension 25.2 to 25.3

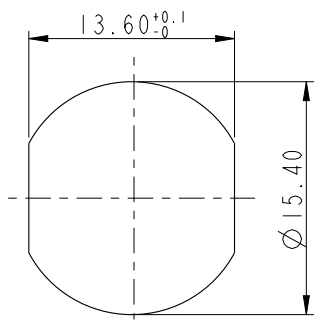
**ALTW**  
**CONFIDENTIAL**  
 2013-07-19  
**R&D DEPT.**



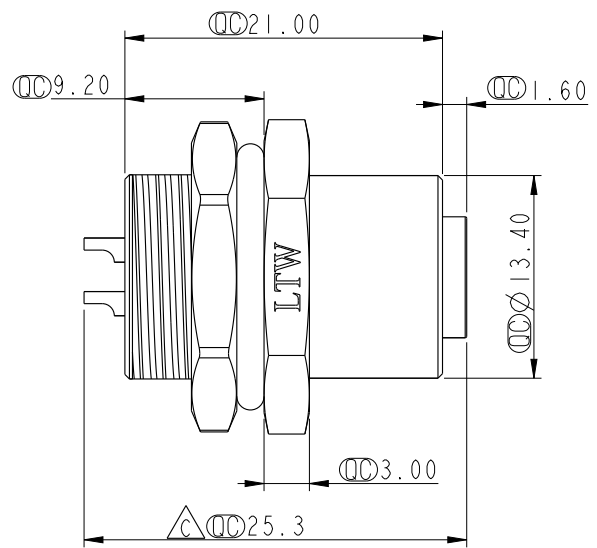
**ALTW**  
 DCC. DEPT.  
 CONFIDENTIAL  
 2013.07.24  
**ISSUED**



Pin Assignment  
 Front View



Recommended Panel Cut-Out



- Note:
- \*  $\varnothing$  Important Dimension.
  - \* Waterproof Rate: IP68.
  - \* Housing: Nylon+GF, Black.
  - \* Pin: Copper Alloy, Gold Plated.
  - \* Shield: Zinc Alloy, Nickel Plated.
  - \* Nut: Zinc Alloy, Nickel Plated.
  - \* O-Ring: Black, EPDM
  - \* For Panel Thickness Max 4.5mm.
  - \*  $\Delta$  Nut Torque: 4-6 Kg.cm

UNIT: mm

TOLERANCE	
.X	±0.25
.XX	±0.1
.XXX	±0.05
ANGLES	±1°

TITLE M12 Conn Panel Screw 4Pin F Conn F Pin			
SCALE 2:1	SIZE A4	SHEET 1 OF 1	
REV. C	WC-REV. B.3	Ⓞ: Inspection item	

**Amphenol LTW**  
 安費諾亮泰企業股份有限公司

ITEM NO. 12-04PFFS-SH8001	DRAWN BY Lin_rensong	DATE 2013-07-19
DWG NO. 12-04PFFS-SH8001	CHECKED BY Tony	DATE 2013-07-19
CUSTOMER ALTW	APPROVED BY Maslow	DATE 2013-07-19