

LM567/LM567C Tone Decoder

General Description

The LM567 and LM567C are general purpose tone decoders designed to provide a saturated transistor switch to ground when an input signal is present within the passband. The circuit consists of an I and Q detector driven by a voltage controlled oscillator which determines the center frequency of the decoder. External components are used to independently set center frequency, bandwidth and output delay.

Features

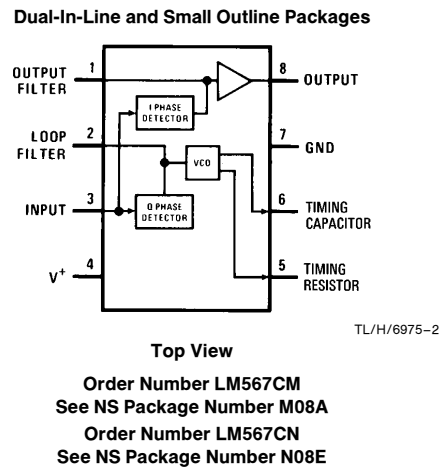
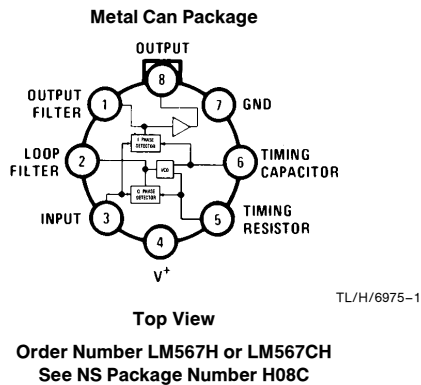
- 20 to 1 frequency range with an external resistor
- Logic compatible output with 100 mA current sinking capability

- Bandwidth adjustable from 0 to 14%
- High rejection of out of band signals and noise
- Immunity to false signals
- Highly stable center frequency
- Center frequency adjustable from 0.01 Hz to 500 kHz

Applications

- Touch tone decoding
- Precision oscillator
- Frequency monitoring and control
- Wide band FSK demodulation
- Ultrasonic controls
- Carrier current remote controls
- Communications paging decoders

Connection Diagrams



Absolute Maximum Ratings

If Military/Aerospace specified devices are required, please contact the National Semiconductor Sales Office/Distributors for availability and specifications.

Supply Voltage Pin	9V
Power Dissipation (Note 1)	1100 mW
V ₈	15V
V ₃	-10V
V ₃	V ₄ + 0.5V
Storage Temperature Range	-65°C to +150°C
Operating Temperature Range	
LM567H	-55°C to +125°C
LM567CH, LM567CM, LM567CN	0°C to +70°C

Soldering Information

Dual-In-Line Package	
Soldering (10 sec.)	260°C
Small Outline Package	
Vapor Phase (60 sec.)	215°C
Infrared (15 sec.)	220°C

See AN-450 "Surface Mounting Methods and Their Effect on Product Reliability" for other methods of soldering surface mount devices.

Electrical Characteristics

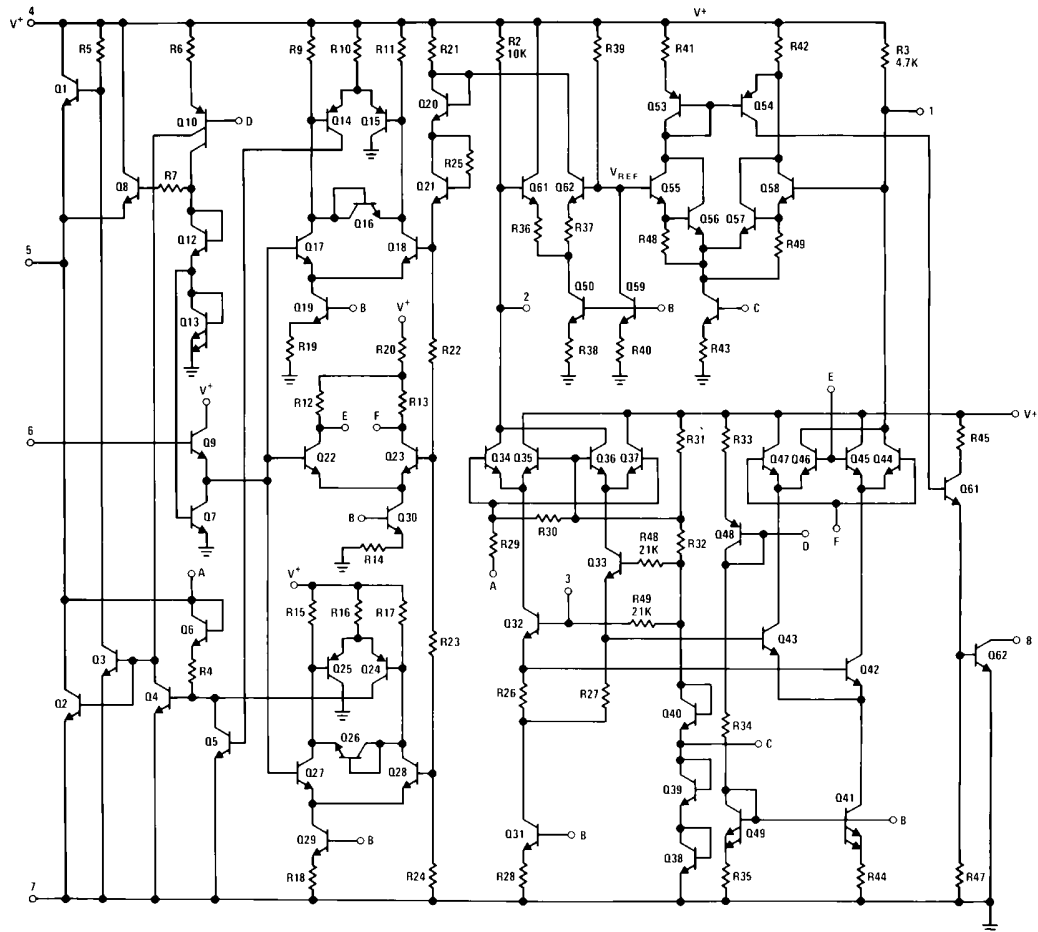
AC Test Circuit, T_A = 25°C, V⁺ = 5V

Parameters	Conditions	LM567			LM567C/LM567CM			Units
		Min	Typ	Max	Min	Typ	Max	
Power Supply Voltage Range		4.75	5.0	9.0	4.75	5.0	9.0	V
Power Supply Current Quiescent	R _L = 20k		6	8		7	10	mA
Power Supply Current Activated	R _L = 20k		11	13		12	15	mA
Input Resistance		18	20		15	20		kΩ
Smallest Detectable Input Voltage	I _L = 100 mA, f _i = f _o		20	25		20	25	mVrms
Largest No Output Input Voltage	I _C = 100 mA, f _i = f _o	10	15		10	15		mVrms
Largest Simultaneous Outband Signal to Inband Signal Ratio			6			6		dB
Minimum Input Signal to Wideband Noise Ratio	B _n = 140 kHz		-6			-6		dB
Largest Detection Bandwidth		12	14	16	10	14	18	% of f _o
Largest Detection Bandwidth Skew			1	2		2	3	% of f _o
Largest Detection Bandwidth Variation with Temperature			±0.1			±0.1		%/°C
Largest Detection Bandwidth Variation with Supply Voltage	4.75 - 6.75V		±1	±2		±1	±5	%V
Highest Center Frequency		100	500		100	500		kHz
Center Frequency Stability (4.75-5.75V)	0 < T _A < 70 -55 < T _A < +125		35 ± 60 35 ± 140			35 ± 60 35 ± 140		ppm/°C ppm/°C
Center Frequency Shift with Supply Voltage	4.75V - 6.75V 4.75V - 9V		0.5	1.0 2.0		0.4 2.0	2.0 2.0	%/V %/V
Fastest ON-OFF Cycling Rate			f _o /20			f _o /20		
Output Leakage Current	V ₈ = 15V		0.01	25		0.01	25	μA
Output Saturation Voltage	e _i = 25 mV, I ₈ = 30 mA e _i = 25 mV, I ₈ = 100 mA		0.2 0.6	0.4 1.0		0.2 0.6	0.4 1.0	V
Output Fall Time			30			30		ns
Output Rise Time			150			150		ns

Note 1: The maximum junction temperature of the LM567 and LM567C is 150°C. For operating at elevated temperatures, devices in the TO-5 package must be derated based on a thermal resistance of 150°C/W, junction to ambient or 45°C/W, junction to case. For the DIP the device must be derated based on a thermal resistance of 110°C/W, junction to ambient. For the Small Outline package, the device must be derated based on a thermal resistance of 160°C/W, junction to ambient.

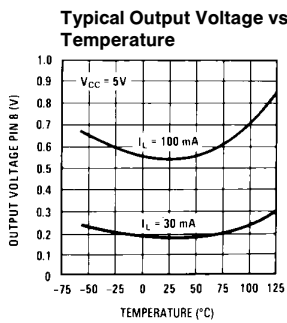
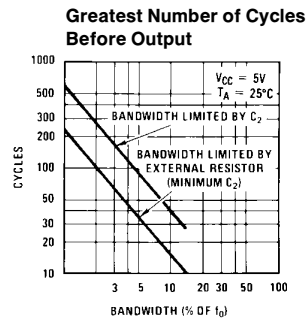
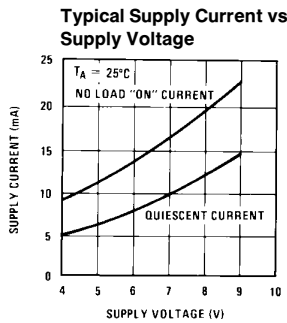
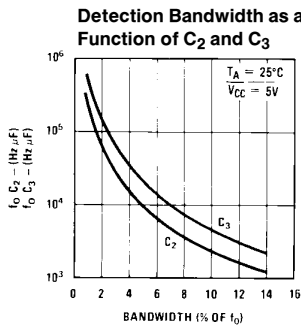
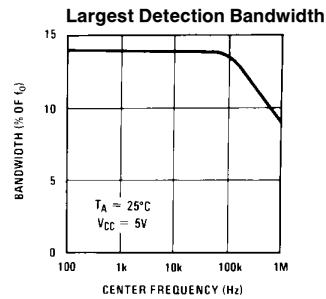
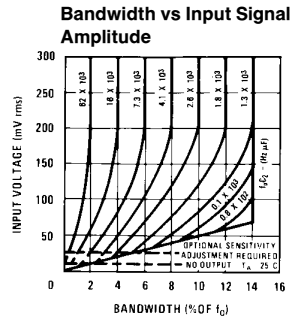
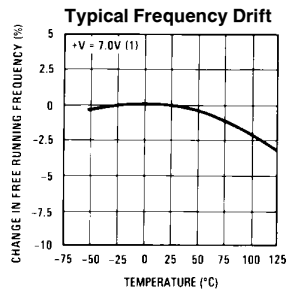
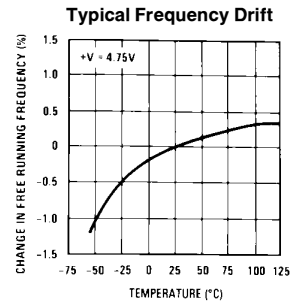
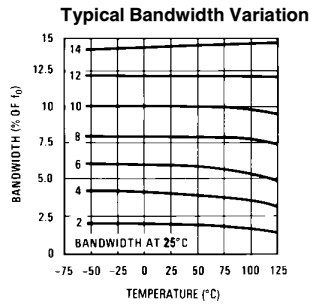
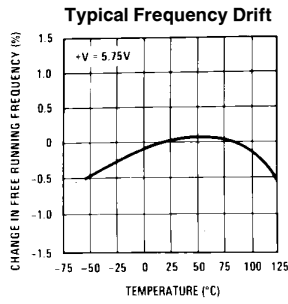
Note 2: Refer to RETS567X drawing for specifications of military LM567H version.

Schematic Diagram



TL/H/6975-3

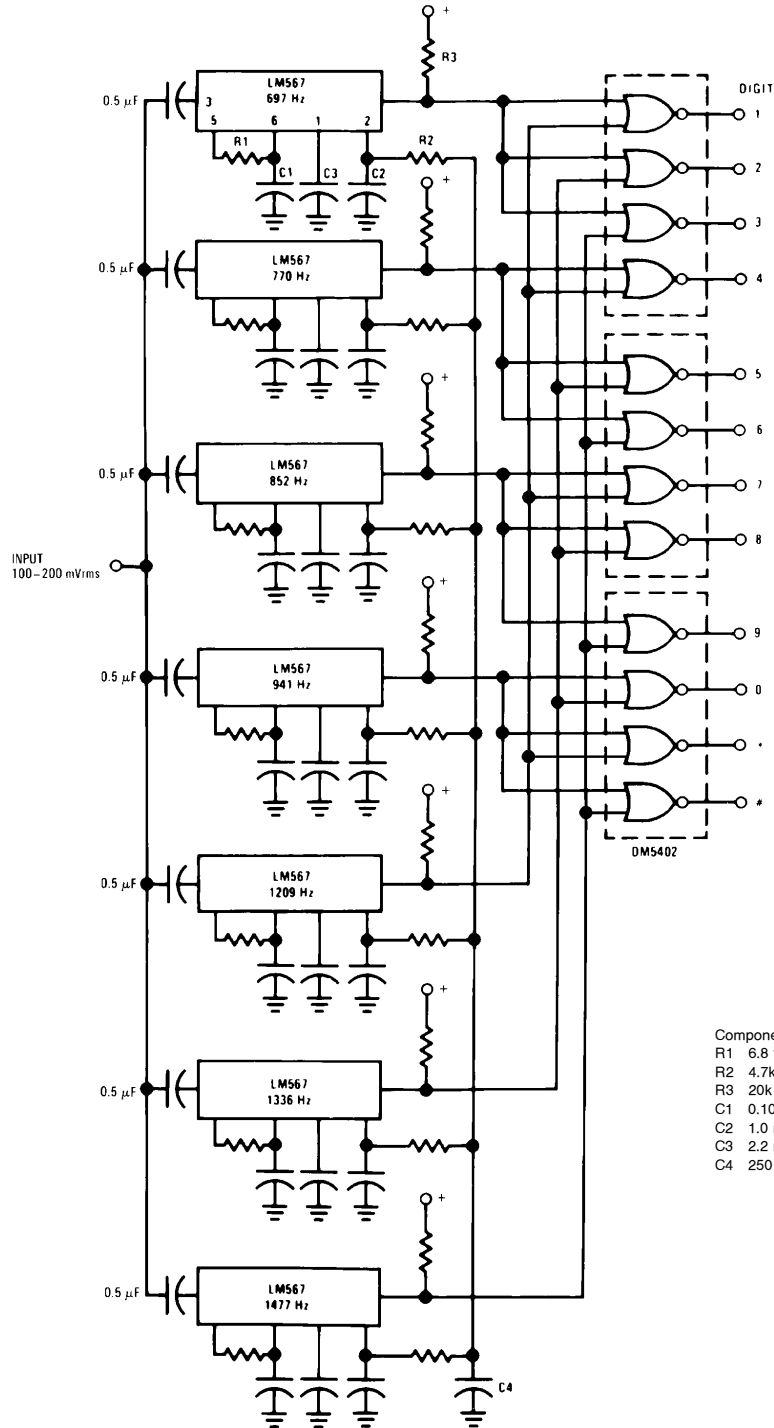
Typical Performance Characteristics



TL/H/6975-4

Typical Applications

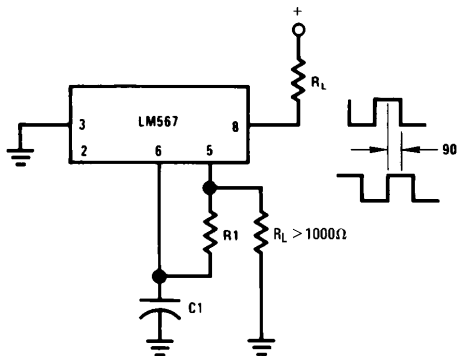
Touch-Tone Decoder



TL/H/6975-5

Typical Applications (Continued)

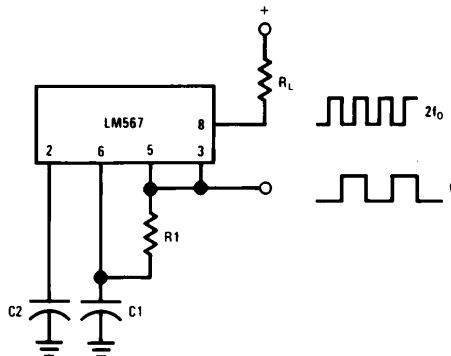
Oscillator with Quadrature Output



Connect Pin 3 to 2.8V to Invert Output

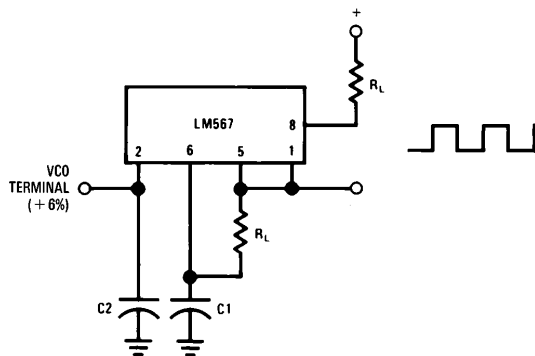
TL/H/6975-6

Oscillator with Double Frequency Output



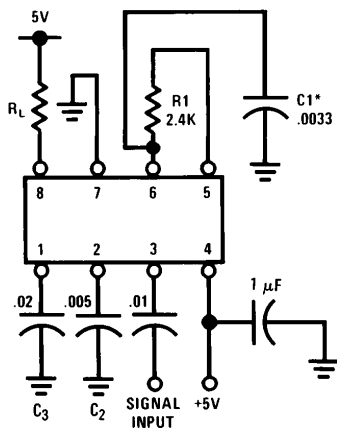
TL/H/6975-7

Precision Oscillator Drive 100 mA Loads



TL/H/6975-8

AC Test Circuit



TL/H/6975-9

$f_i = 100 \text{ kHz} + 5V$
 *Note: Adjust for $f_o = 100 \text{ kHz}$.

Applications Information

The center frequency of the tone decoder is equal to the free running frequency of the VCO. This is given by

$$f_o \cong \frac{1}{1.1 R_1 C_1}$$

The bandwidth of the filter may be found from the approximation

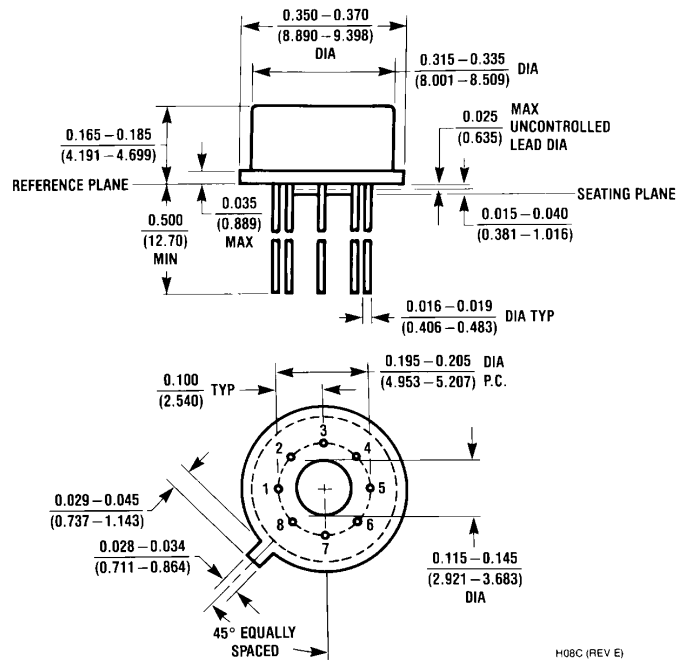
$$BW = 1070 \sqrt{\frac{V_i}{f_o C_2}} \text{ in \% of } f_o$$

Where:

V_i = Input voltage (volts rms), $V_i \leq 200 \text{ mV}$

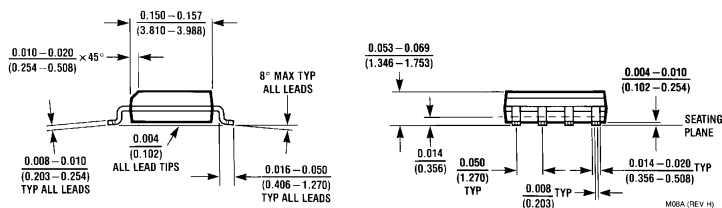
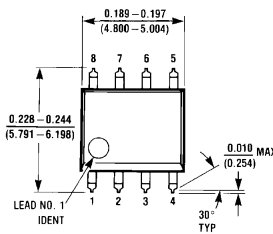
C_2 = Capacitance at Pin 2 (μF)

Physical Dimensions inches (millimeters)



H08C (REV E)

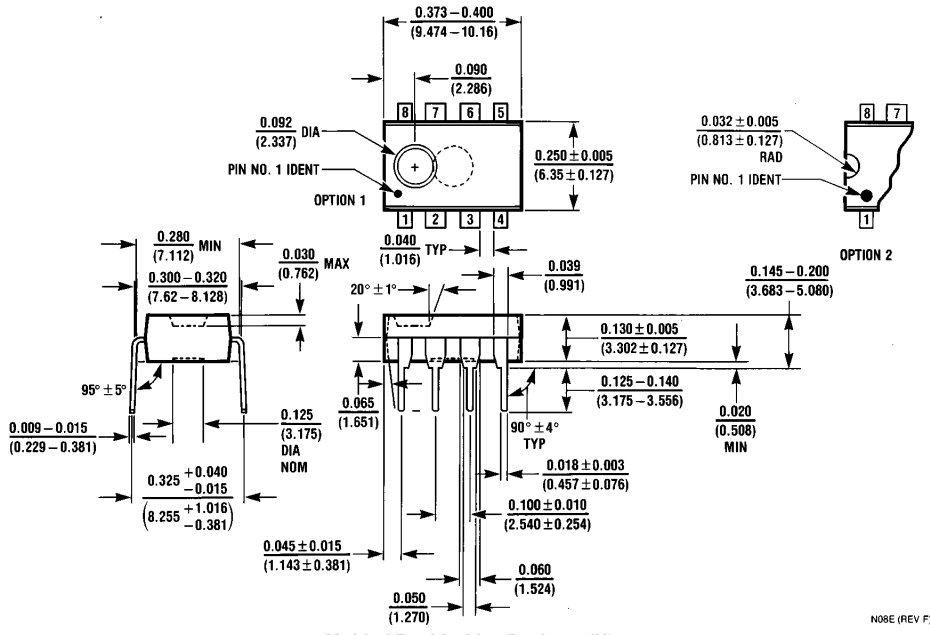
Metal Can Package (H)
Order Number LM567H or LM567CH
NS Package Number H08C



M08A (REV H)

Small Outline Package (M)
Order Number LM567CM
NS Package Number M08A

Physical Dimensions inches (millimeters) (Continued)



Molded Dual-In-Line Package (N)
Order Number LM567CN
NS Package Number N08E

LIFE SUPPORT POLICY

NATIONAL'S PRODUCTS ARE NOT AUTHORIZED FOR USE AS CRITICAL COMPONENTS IN LIFE SUPPORT DEVICES OR SYSTEMS WITHOUT THE EXPRESS WRITTEN APPROVAL OF THE PRESIDENT OF NATIONAL SEMICONDUCTOR CORPORATION. As used herein:

1. Life support devices or systems are devices or systems which, (a) are intended for surgical implant into the body, or (b) support or sustain life, and whose failure to perform, when properly used in accordance with instructions for use provided in the labeling, can be reasonably expected to result in a significant injury to the user.
2. A critical component is any component of a life support device or system whose failure to perform can be reasonably expected to cause the failure of the life support device or system, or to affect its safety or effectiveness.

 <p>National Semiconductor Corporation 1111 West Bardin Road Arlington, TX 76017 Tel: 1(800) 272-9959 Fax: 1(800) 737-7018</p>	<p>National Semiconductor Europe Fax: (+49) 0-180-530 85 86 Email: cnjwge@tevm2.nsc.com Deutsch Tel: (+49) 0-180-530 85 85 English Tel: (+49) 0-180-532 78 32 Français Tel: (+49) 0-180-532 93 58 Italiano Tel: (+49) 0-180-534 16 80</p>	<p>National Semiconductor Hong Kong Ltd. 19th Floor, Straight Block, Ocean Centre, 5 Canton Rd. Tsimshatsui, Kowloon Hong Kong Tel: (852) 2737-1600 Fax: (852) 2736-9960</p>	<p>National Semiconductor Japan Ltd. Tel: 81-043-299-2309 Fax: 81-043-299-2408</p>
--	--	---	---

National does not assume any responsibility for use of any circuitry described, no circuit patent licenses are implied and National reserves the right at any time without notice to change said circuitry and specifications.