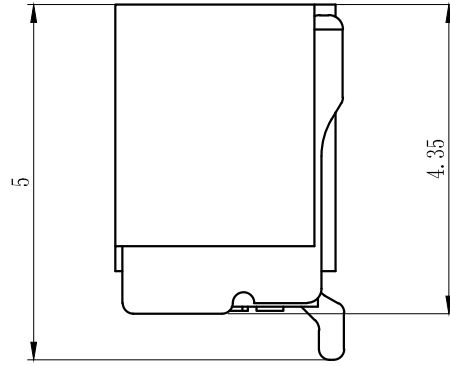
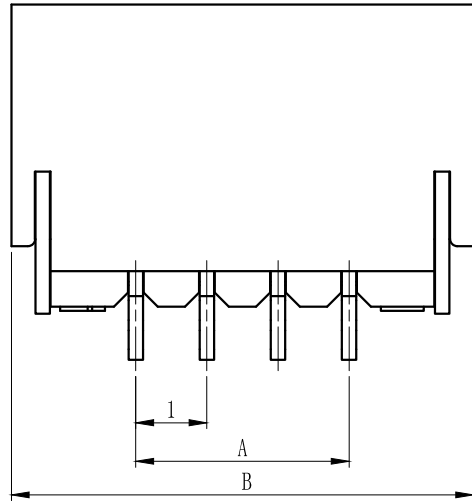


REV	DESCRIPTION	DATE
A/0	Original Version	E
A/1	Revised Version	

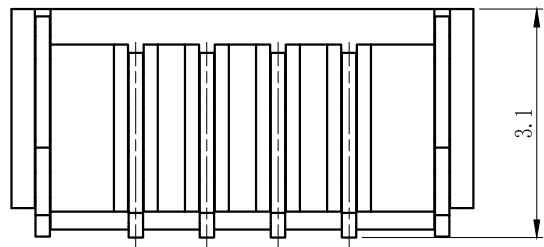


Poles	Dimensions mm	
	A	B
2	1.00	4.50
3	2.00	5.50
4	3.00	6.50
5	4.00	7.50
6	5.00	8.50
7	6.00	9.50
8	7.00	10.50
9	8.00	11.50
10	9.00	12.50
11	10.00	13.50
12	11.00	14.50
30	29.00	32.50

Main Specifications

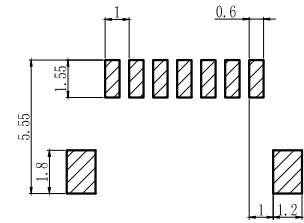
线数 (poles): 2 to 30P
 额定电流 (Current rating): 1.0A AC, DC
 额定电压 (Voltage rating): 50V AC, DC
 温度范围 (Temperature range): -25°C to +85°C
 接触电阻 (Contact resistance): ≤20mΩ
 绝缘电阻 (Insulation resistance): ≥100mΩ
 耐电压 (Withstand voltage): 500V AC/minute

Range	>0~3	>3~18	>18~50	>50~120
Tolerance	±0.12	±0.15	±0.3	±0.5



3	Soldering lug	BrassTin	2		
2	Pin	BrassTin	4		
1	Housing	LCP (UL94V-0)	1	Normal	
No.	Drawing No	Name	Material	Q'TY	Note

Undeclared Tolerance			Conntherm					
X.° ±3° X.X° ±0.5°								
<10	10-30	>30	UNIT	RATIO	Design Units	SIZE	PAGE	
±0.2	±0.25	±0.3	MM Only	—	METRIC	A4	1 OF 1	
							Part No	



P. C. BLAYOUT