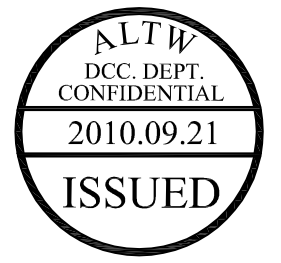
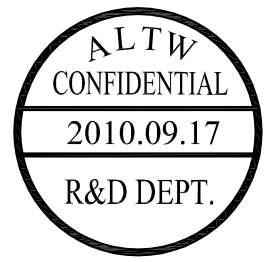
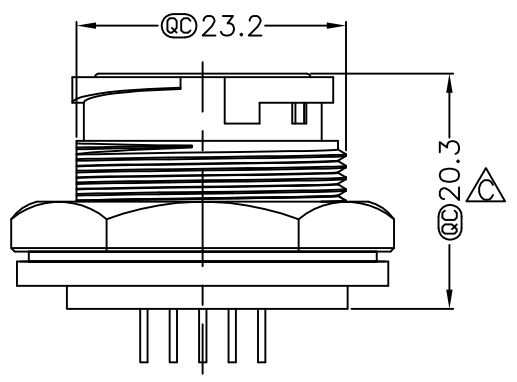
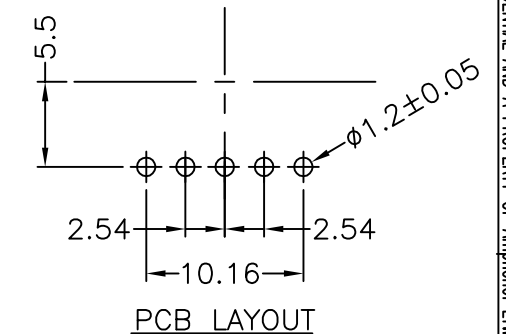
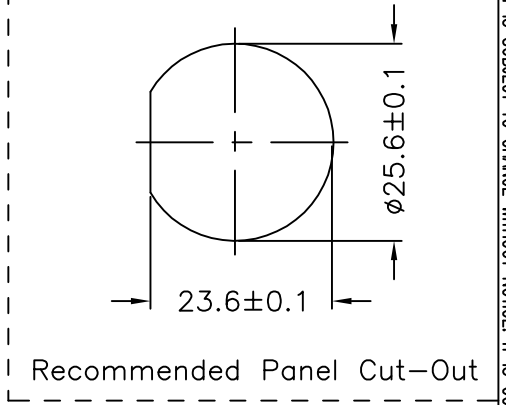
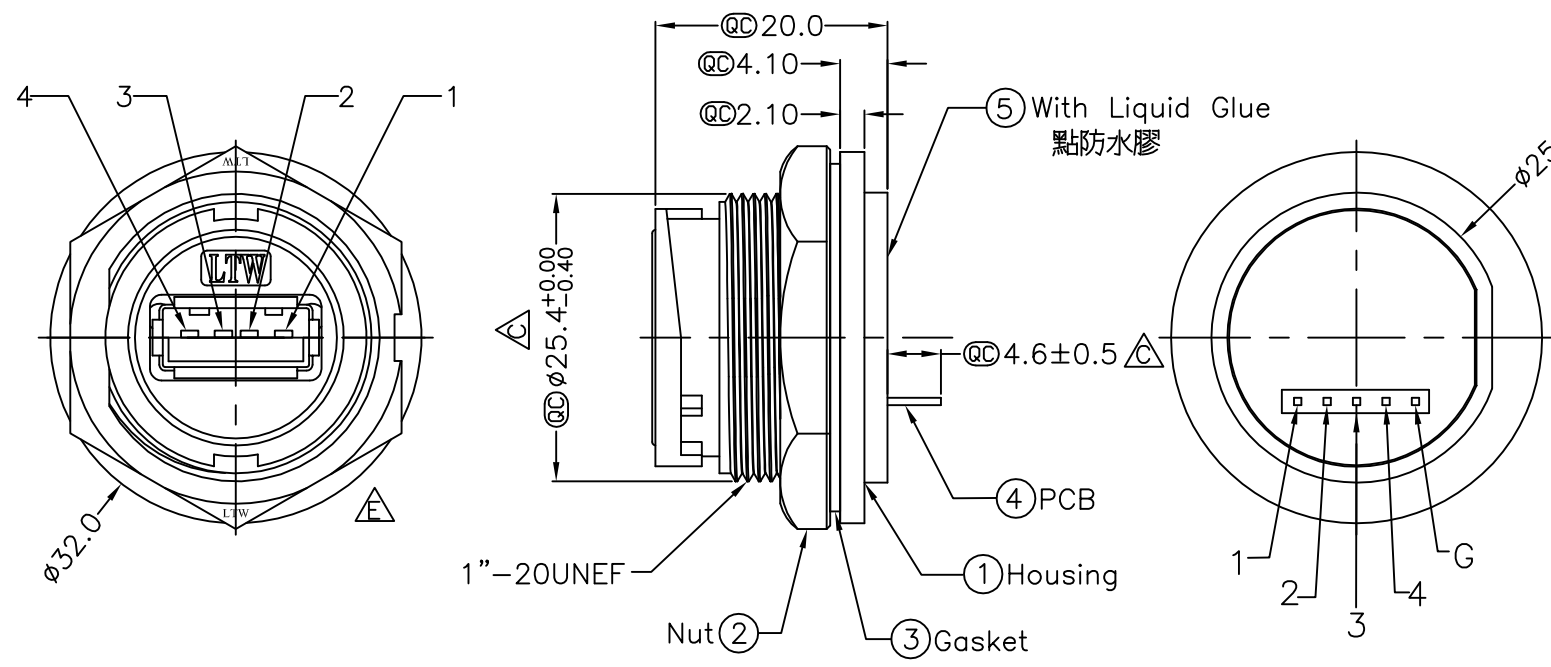


REV.	ECN NO.	DATE	SIGN	DESCRIPTION
C	LEN-680011	2006/07/05	Kathy	Change Dimension 4.6±0.25 TO 4.6±0.5
D	LEN-7B0133	2007/11/15	Gao Ling	Modify Panel Thickness.
E	LEN-090326	2010/09/17	Li Chi Cheng	Add "Waterproof Rate".

THIS DOCUMENT IS SUBJECT TO CHANGE WITHOUT NOTICE. IT IS CONFIDENTIAL AND A PROPERTY OF Amphenol LTW. DISCLOSURE TO THIRD PARTY HAS TO BE AUTHORIZED BY Amphenol LTW.



- Note:
- \*  $\text{QC}$  Important Dimension.
  - $\triangle$ \* Waterproof Rate:IP67.
  - \* Housing:Nylon+GF,Black.
  - \* Nut:Nylon+GF,Black.
  - \* Gasket:EPDM,Black.
  - \* PCB:FR-4,t=1.0mm.
  - \* Liquid Glue:Black.
  - $\triangle$ \* Use with waterproof cap or dust cap  
For Panel Thickness Max: 2.8mm
  - $\triangle$ \* Use without waterproof cap or dust cap  
For Panel Thickness Max: 4.0mm

UNIT:mm		TITLE USB A PCB TYPE FOR PANEL		<b>Amphenol LTW</b>		ITEM NO UA-20PMFP-LC7001	DRAWN BY Li Chi Cheng	DATE 2010/09/17
TOLERANCE .X ±0.25 .XX ±0.1 .XXX ±0.05 ANGLES ±1°		SCALE Free	SHEET 1 OF 1	安費諾亮泰企業股份有限公司		DWG NO UA-20PMFP-LC7001	CHECKED BY Tina	DATE 2010/09/17
REV. E	SIZE A4	$\text{QC}$ : Inspection Item		CUSTOMER ALTW		APPROVED BY Can	DATE 2010/09/17	8 FMW0702-01-01A2