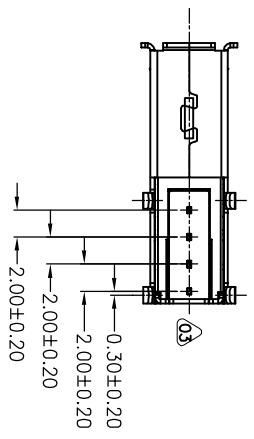
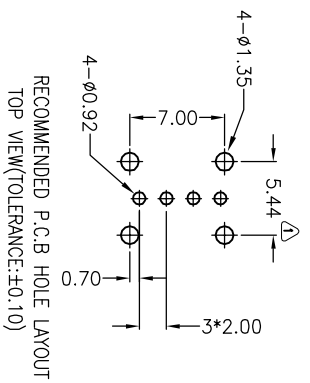
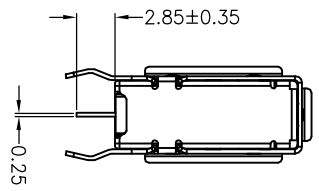
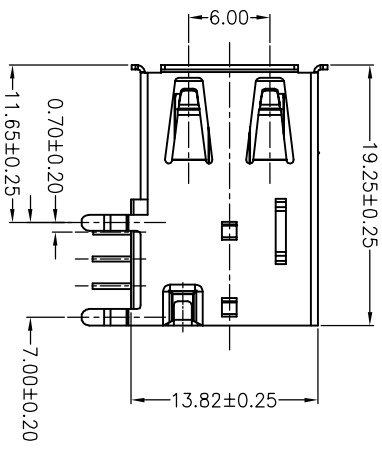
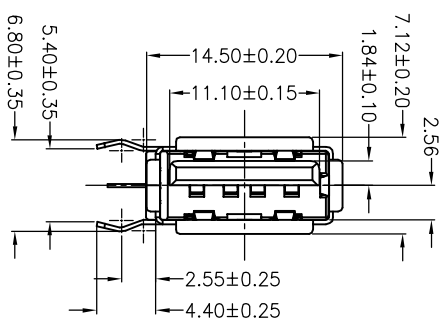
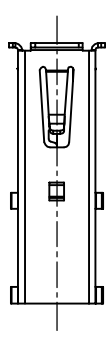


REV	DESCRIPTION	DATE	ECN NO.	CHANGER
A/2	Change the mark	10.11.17	2010301	Bende
A/3	Change the flome	12.11.26	2012205	Sally



Specification

- Current Rating: 1.5AMP at 250V AC
- Insulation Resistance: 1000MΩ Min
- Contact Resistance: 30mΩ Max
- Dielectric Withstanding Voltage: 500V AC
- Temperature Range: -20°C to +60°C
- Mechanical Characteristics:
 - Insertion Force: 35 Newtons maximum
 - Extraction Force: 10 Newtons minimum

P/N NOTE:

USB-A1D02F-XX4X-X

- W=without halogen O=UL94-V0
- Shell plate spec: T=Tin plated, N=Nickel plated
- Housing colour: B=Black, N=Nature, W=White
- Contact plate spec: O=FU", 1=3U", 2=6U", 3=15U", 4=30U"

4	Back Shell	SPCC	1	T=0.30 Plating nickel/Tin
4	Front Shell	C2680H	1	T=0.30 Plating nickel/Tin
3	Back Plug	P.B.T	1	UL94V-0 Nature/Black/White
2	Housing	P.B.T	1	UL94V-0 Nature/Black/White
1	Contact	C2680EH	4	T=0.25 Plating Gold
NO.	VARIETY	MATERIAL	QT,Y	REMARK

CZT DONGGUAN ZHENGDE (YIHUA) CONNECTOR CO., LTD

X. ±0.38	X. ±4'	UNIT:	mm	DR:	Sally	TITLE:	USB A TYPE(FEMALE) DIP 90°
X ±0.25	X ±2'	3RD:		DE:	JACK	SHEET:	1/1
XX±0.20	XX'	SCALE:	1:1	CHKD:		P/N:	USB-A1D02F-XX4X-X
XXX±0.10	XXX'	REV:	A/3	APPD:		D/N:	1014-0002
CUSTOMER DRAWING						M/N:	