

PCB Connector

Pitch=2.50mm TYPE

Electrical Specification:

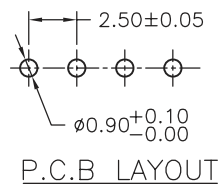
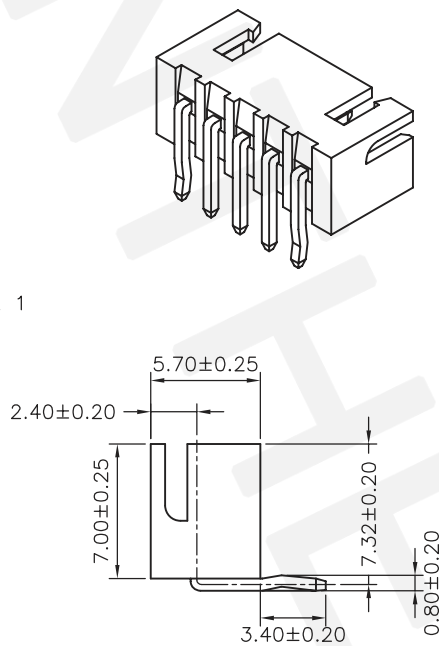
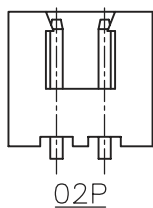
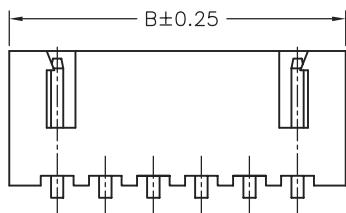
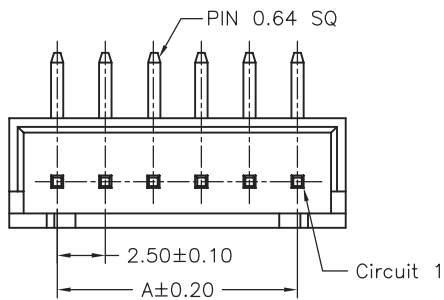
Rated Voltage: 250V AC.DC
 Rated Current: 3A
 Contact Resistance: 0.02 Ohm max
 Insulation Resistance: 1000M Ohm min
 Withstand voltage: 1000V AC/MIN
 Temperature range for usage : -25°C~+85°C
 P.C board thickness : 0.8~1.6mm

Material:

Housing: PA66 (PA66) UL94V-2
 Contacts: Brass or Phosphor Bronze
 Plating: Tin 50u" over 100u" nickel
 Wire range : AWG#30~#22
 Color: White



Right Male pin



PART NO.	Dimensions	
	A	B
02	2.50	7.50
03	5.00	10.00
04	7.50	12.50
05	10.00	15.00
06	12.50	17.50
07	15.00	20.00
08	17.50	22.50
09	20.00	25.00
10	22.50	27.50
11	25.00	30.00
12	27.50	32.50
13	30.00	35.00
14	32.50	37.50
15	35.00	40.00
16	37.50	42.50
17	40.00	45.00
18	42.50	47.50
19	45.00	50.00
20	47.50	52.50