

**Product number CA14000_HEIDI-M-NP**

Family	Heidi	FWHM	(simulated) 28
Type	Assembly	Efficiency	(simulated) 92 %
LED	XP-G	cd/lm	(simulated) 3.624
Color	Clear	Gerber File	Available
Diameter	21.56 mm		
Height	11.60 mm		
Style	Round		
Optic Material	PMMA		
Holder Material	-		
Fastening	["tape"]		
Status	Production ready		

Product number CA11663_HEIDI-RS

Family	Heidi	FWHM	9 degrees
Type	Assembly	Efficiency	93 %
LED	XP-G	cd/lm	16.600
Color	Clear	Gerber File	Available
Diameter	21.6 mm		
Height	11.7 mm		
Style	Round		
Optic Material	PMMA		
Holder Material	-		
Fastening	["pin", "tape"]		
Status	Production ready		

Product number CA11264_HEIDI-D

Family	Heidi	FWHM	12 degrees
Type	Assembly	Efficiency	93 %
LED	XP-G	cd/lm	14.500
Color	Clear	Gerber File	Available
Diameter	21.6 mm		
Height	11.7 mm		
Style	Round		
Optic Material	PMMA		
Holder Material	-		
Fastening	["pin", "tape"]		
Status	Production ready		

Product number CA11267_HEIDI-O-90

Family	Heidi	FWHM	14+44 degrees
Type	Assembly	Efficiency	87 %
LED	XP-G	cd/lm	3.400
Color	Clear	Gerber File	Available
Diameter	21.6 mm		
Height	12.1 mm		
Style	Round		
Optic Material	PMMA		
Holder Material	-		
Fastening	["tape", "pin"]		
Status	Production ready		

**Product number CA12242_HEIDI-SS**

Family	Heidi	FWHM	16 degrees
Type	Assembly	Efficiency	92 %
LED	XP-G	cd/lm	5.900
Color	Clear	Gerber File	Available
Diameter	21.6 mm		
Height	11.7 mm		
Style	Round		
Optic Material	PMMA		
Holder Material	-		
Fastening	["tape", "pin"]		
Status	Production ready		

**Product number CA11265_HEIDI-M**

Family	Heidi	FWHM	28 degrees
Type	Assembly	Efficiency	92 %
LED	XP-G	cd/lm	3.300
Color	Clear	Gerber File	Available
Diameter	21.6 mm		
Height	11.7 mm		
Style	Round		
Optic Material	PMMA		
Holder Material	-		
Fastening	["tape", "pin"]		
Status	Production ready		

**Product number CA11268_HEIDI-W**

Family	Heidi	FWHM	31 degrees
Type	Assembly	Efficiency	92 %
LED	XP-G	cd/lm	2.460
Color	Clear	Gerber File	Available
Diameter	21.6 mm		
Height	11.7 mm		
Style	Round		
Optic Material	PMMA		
Holder Material	-		
Fastening	["pin", "tape"]		
Status	Production ready		

**Product number CA12893_HEIDI-WR**

Family	Heidi	FWHM	31 degrees
Type	Assembly	Efficiency	-
LED	XP-G	cd/lm	-
Color	Clear	Gerber File	Available
Diameter	21.6 mm		
Height	11.7 mm		
Style	Round		
Optic Material	PMMA		
Holder Material	-		
Fastening	["tape", "pin"]		
Status	Production ready		

**Product number CA12079_HEIDI-W2**

Family	Heidi	FWHM	44 degrees
Type	Assembly	Efficiency	81 %
LED	XP-G	cd/lm	1.110
Color	Clear	Gerber File	Available
Diameter	21.6 mm		
Height	12 mm		
Style	Round		
Optic Material	PMMA		
Holder Material	-		
Fastening	["tape", "pin"]		
Status	Production ready		

**Product number CA11266_HEIDI-O**

Family	Heidi	FWHM	47+14 degrees
Type	Assembly	Efficiency	87 %
LED	XP-G	cd/lm	3.300
Color	Clear	Gerber File	Available
Diameter	21.6 mm		
Height	11.7 mm		
Style	Round		
Optic Material	PMMA		
Holder Material	-		
Fastening	["pin", "tape"]		
Status	Production ready		

NOTE: The typical divergence will be changed by different color, chip size and chip position tolerance. The typical total divergence is the full angle measured where the luminous intensity is half of the peak value.



PRODUCT DATASHEET

Heidi series

last update 8/6/2016

GENERAL INFORMATION

- Product series especially designed & optimized for XP-G series of LEDs.
- Special care taken to make light distribution as uniform as possible.
- Lens material optical grade PMMA with high UV and temperature resistance. Allows use of high current and temperature conditions.

Please find more information about used material from below:

http://ledil.fi/sites/default/files/Documents/Technical/Material/PMMA%20N%20UL94_Yellow%20Card.pdf

<http://ledil.fi/sites/default/files/Documents/Technical/Material/PMMA%20N%20PLEXIGLAS-Datasheet.pdf>

D

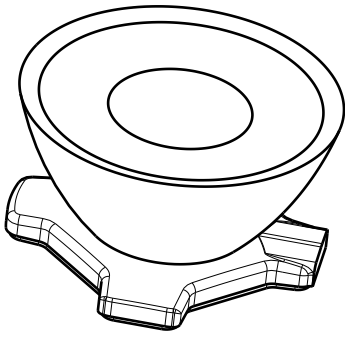
C

B

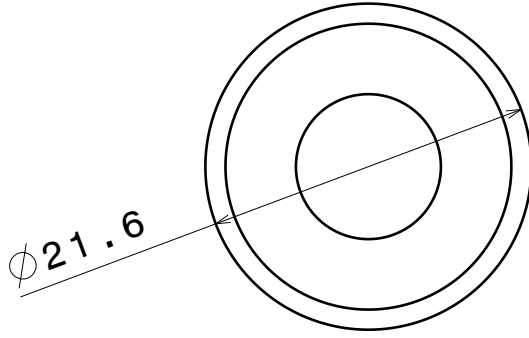
A

4

4



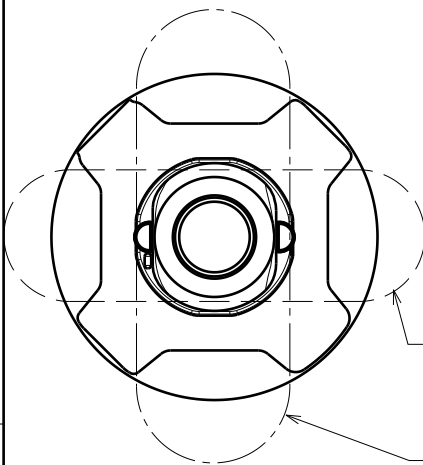
Isometric view



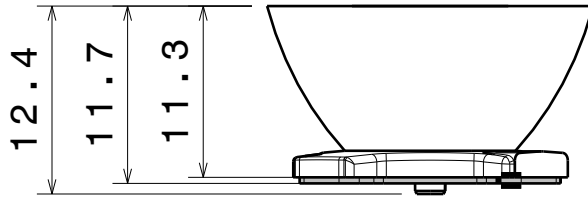
Top view

3

3



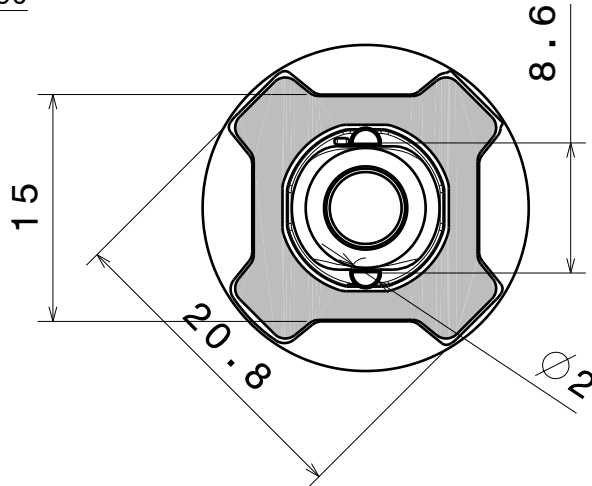
Bottom view
OVAL BEAM direction



Front view

2

2



Bottom view

Material:
Lens PMMA
Tape PU Foam

This drawing is our property.
It can't be reproduced
or communicated without
our written agreement.



Ledil Oy
Salorankatu 10
FIN-24100 SALO
Finland

DRAWING TITLE

Datasheet Heidi-Series Assy

1

1

DRAWN BY
ah

DATE
1.2.2012

CHECKED BY

DATE

SIZE
A4

DRAWING NUMBER

REV
2

DESIGNED BY

DATE

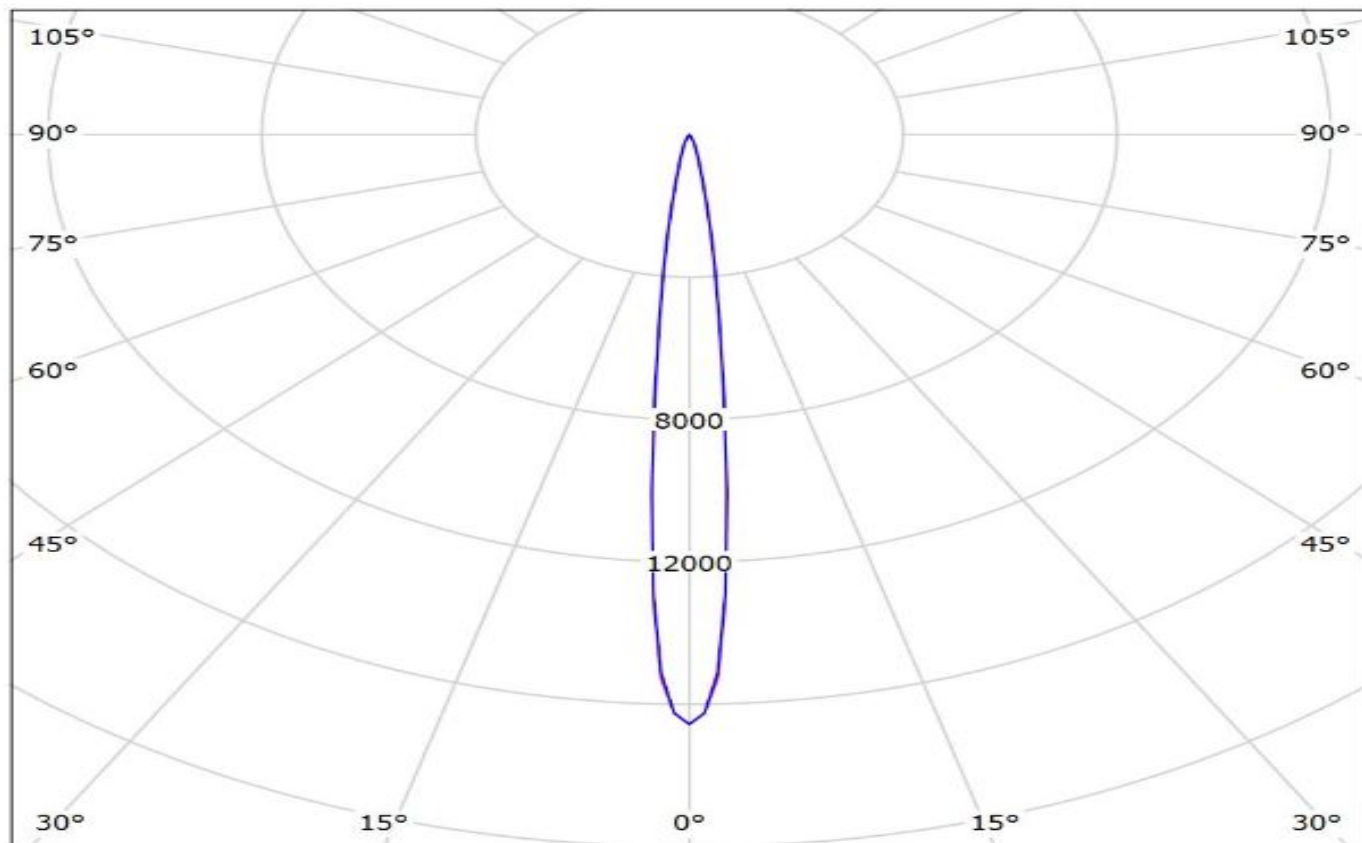
SCALE 2:1 WEIGHT (g)

SHEET 1/1

D

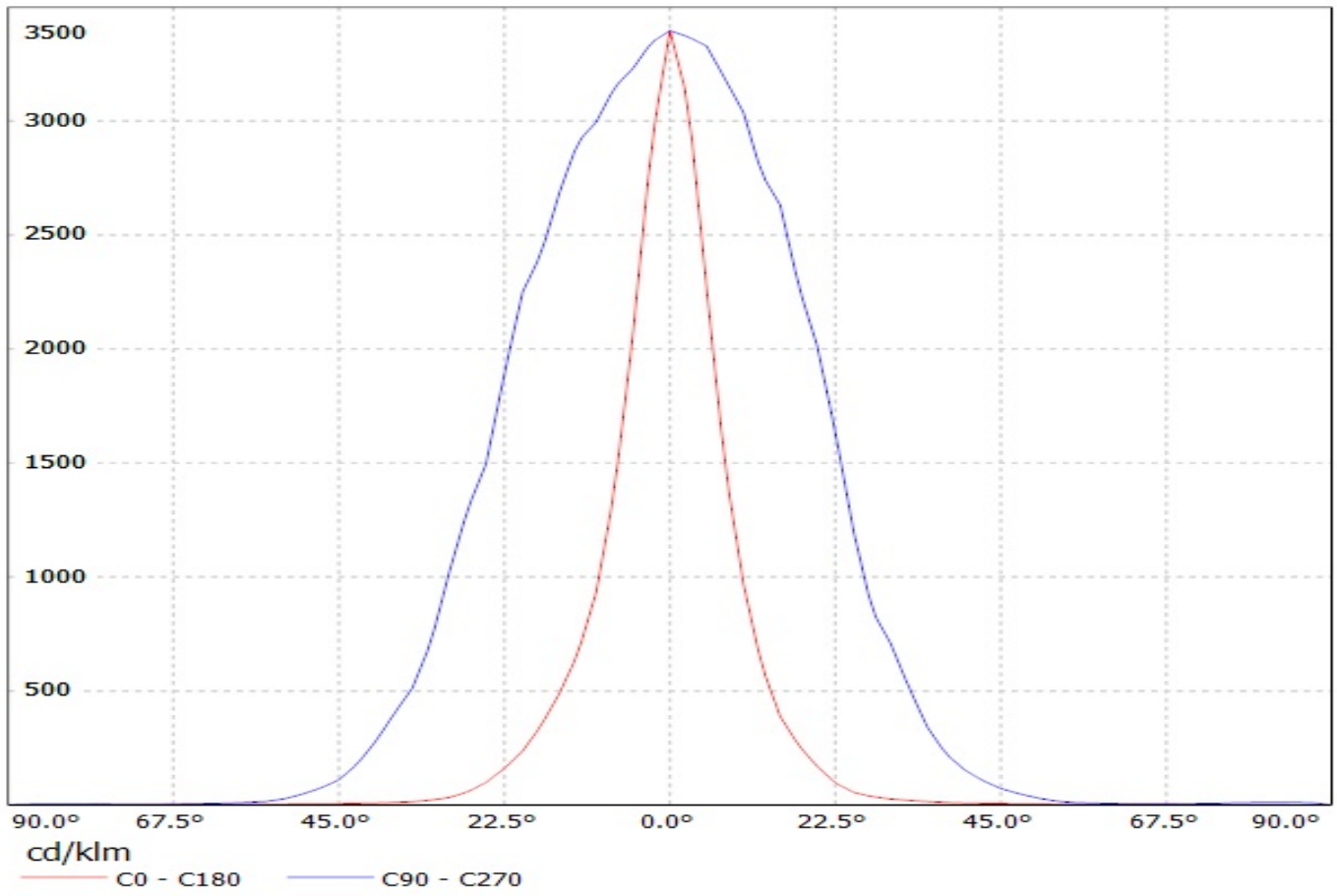
A

Luminaire: Ledil Oy CA11663_Heidi-RS-XP-G CA11663_Heidi-RS-XP-G
Lamps: 1 x Cree XP-G white



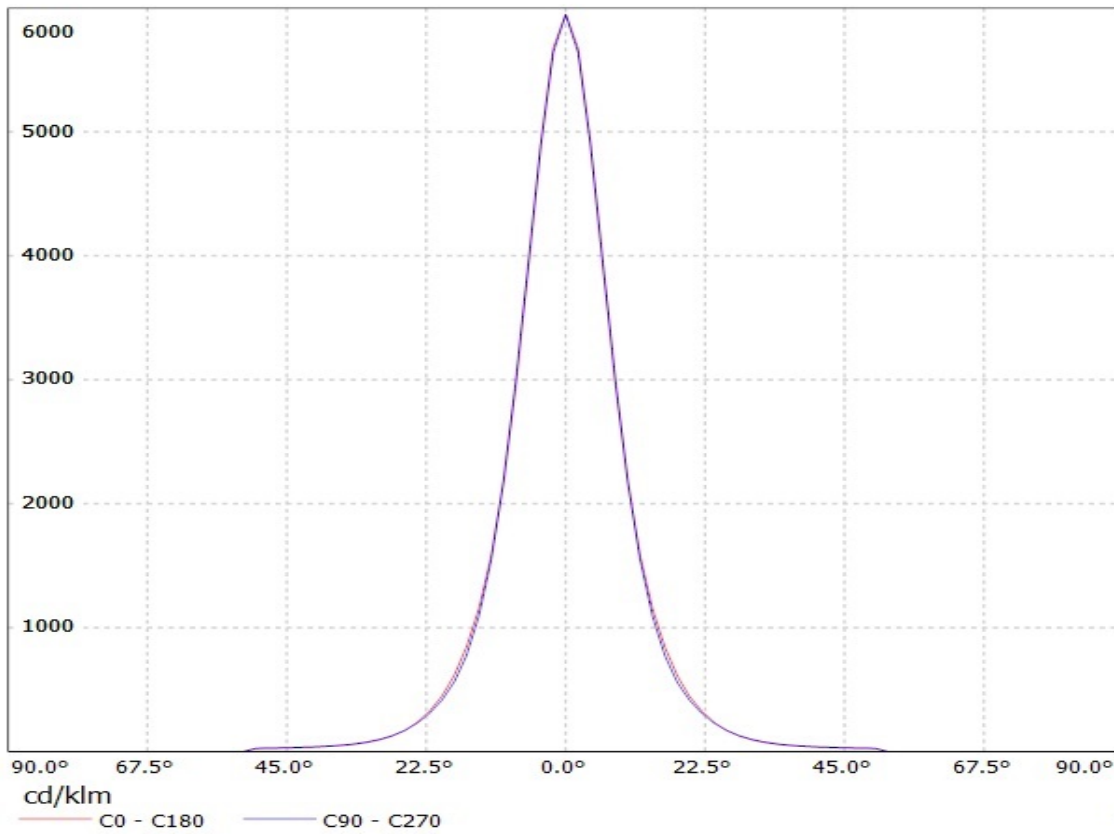
cd/klm
C0 - C180 C90 - C270

Luminaire: Ledil Oy CA11267_HEIDI-O-90 (Cree XP-G 87lm @ 250mA) Efficiency=87%
Lamps: 1 x Cree XP-G 87lm @ 250mA



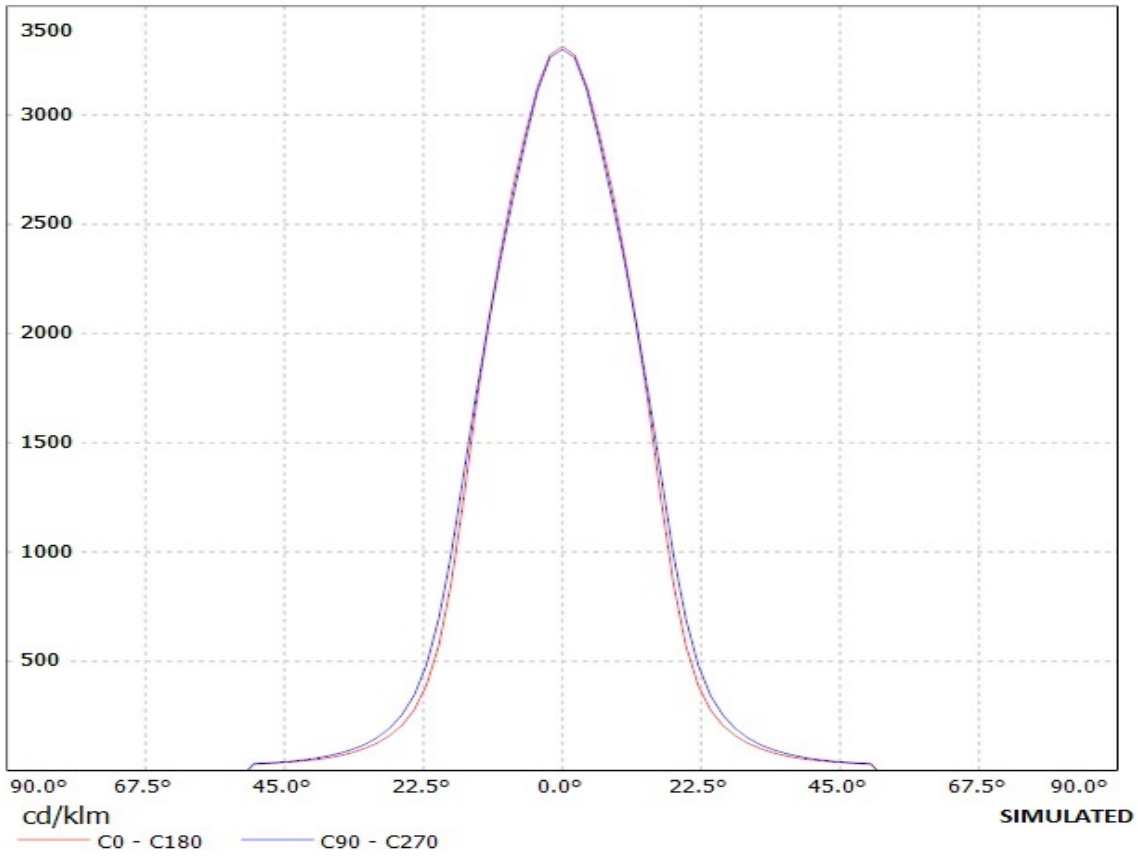
Ledil Oy CA12242_Heidi-SS-XP-G CA12242_Heidi-SS-XP-G Cree XP-G (white) 91lm @ 250mA
LOR=92% / LDC (Linear)

Luminaire: Ledil Oy CA12242_Heidi-SS-XP-G CA12242_Heidi-SS-XP-G Cree XP-G (white) 91lm @ 250mA LOR=92%
Lamps: 1 x Cree XP-G (white) 91lm @ 250mA



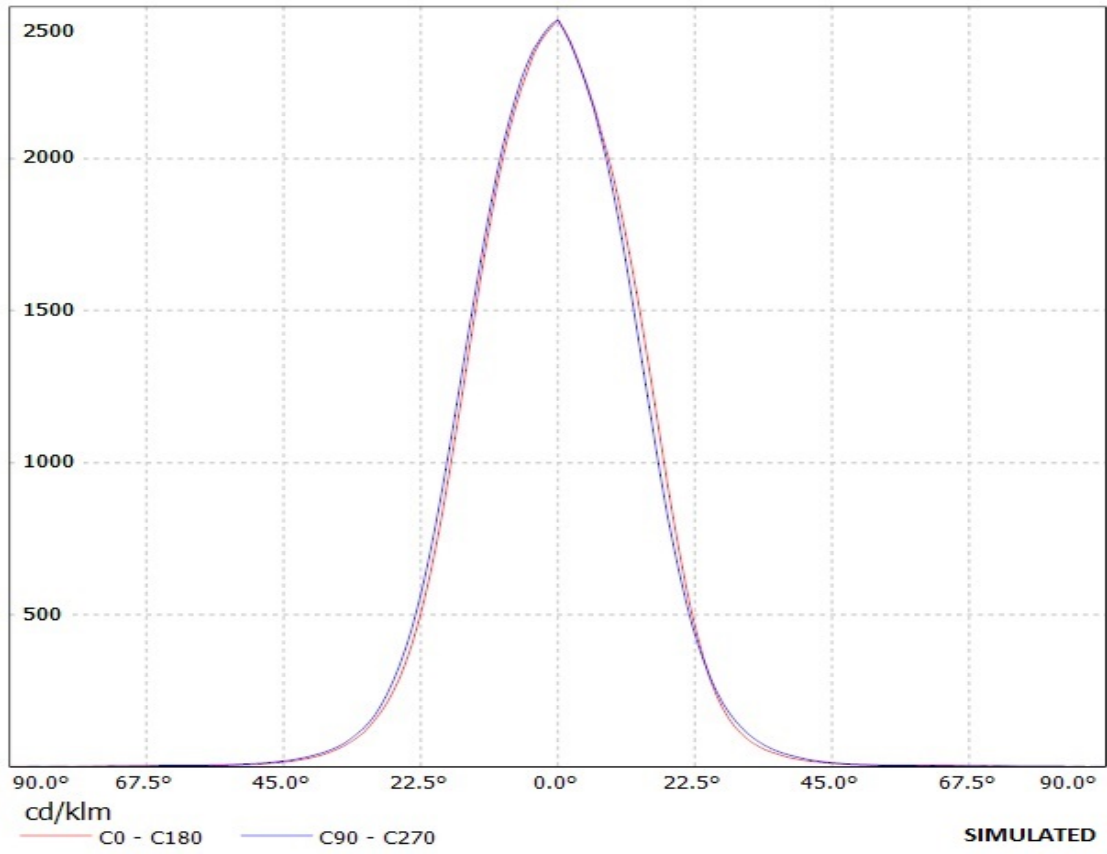
Ledil Oy CA11265_Heidi-M-XP-G CA11265_Heidi-M-XP-G / LDC (Linear)

Luminaire: Ledil Oy CA11265_Heidi-M-XP-G CA11265_Heidi-M-XP-G
Lamps: 1 x Cree XP-G (White)

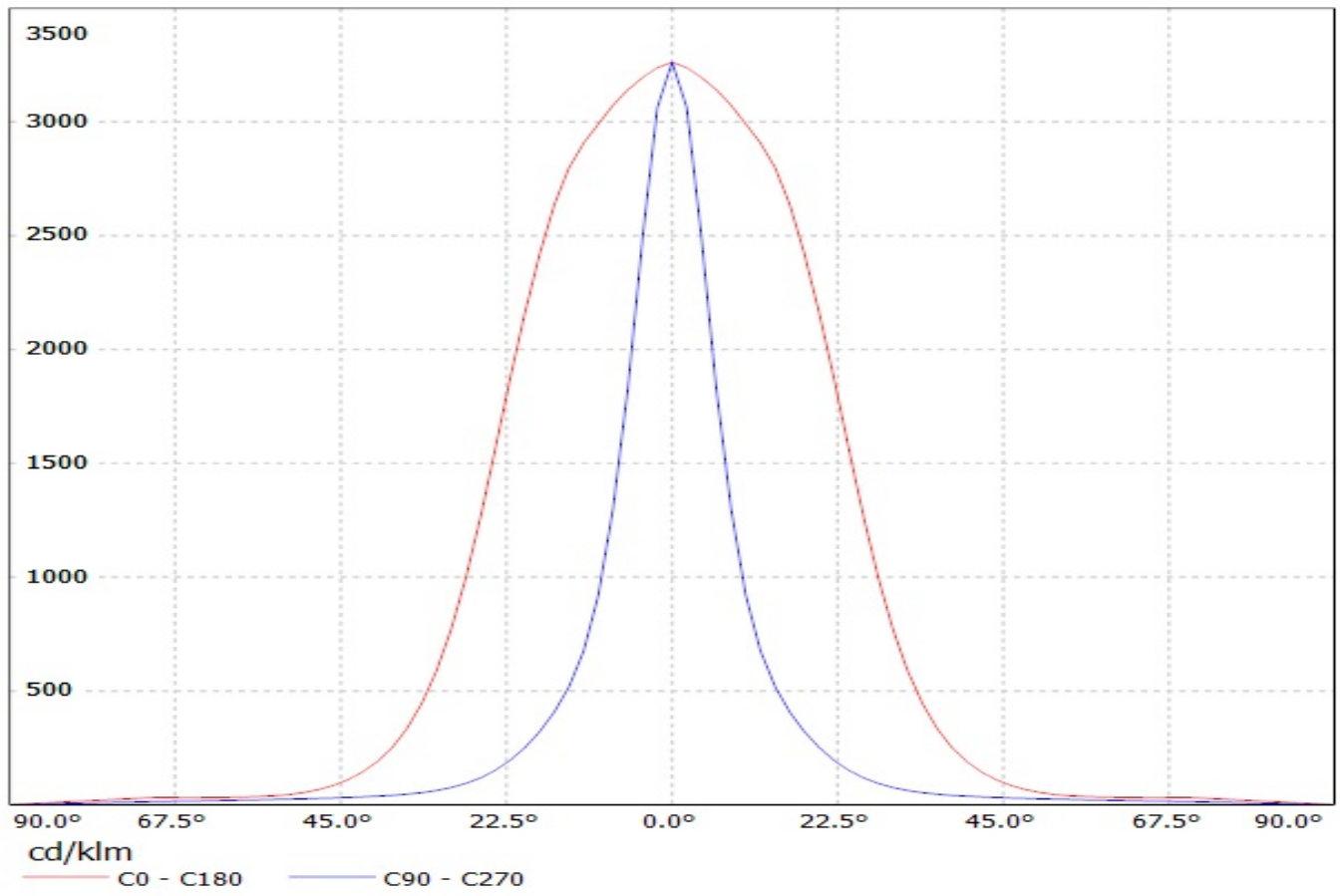


Ledil Oy CA11268-Heidi-W-XP-G LOR=92% / LDC (Linear)

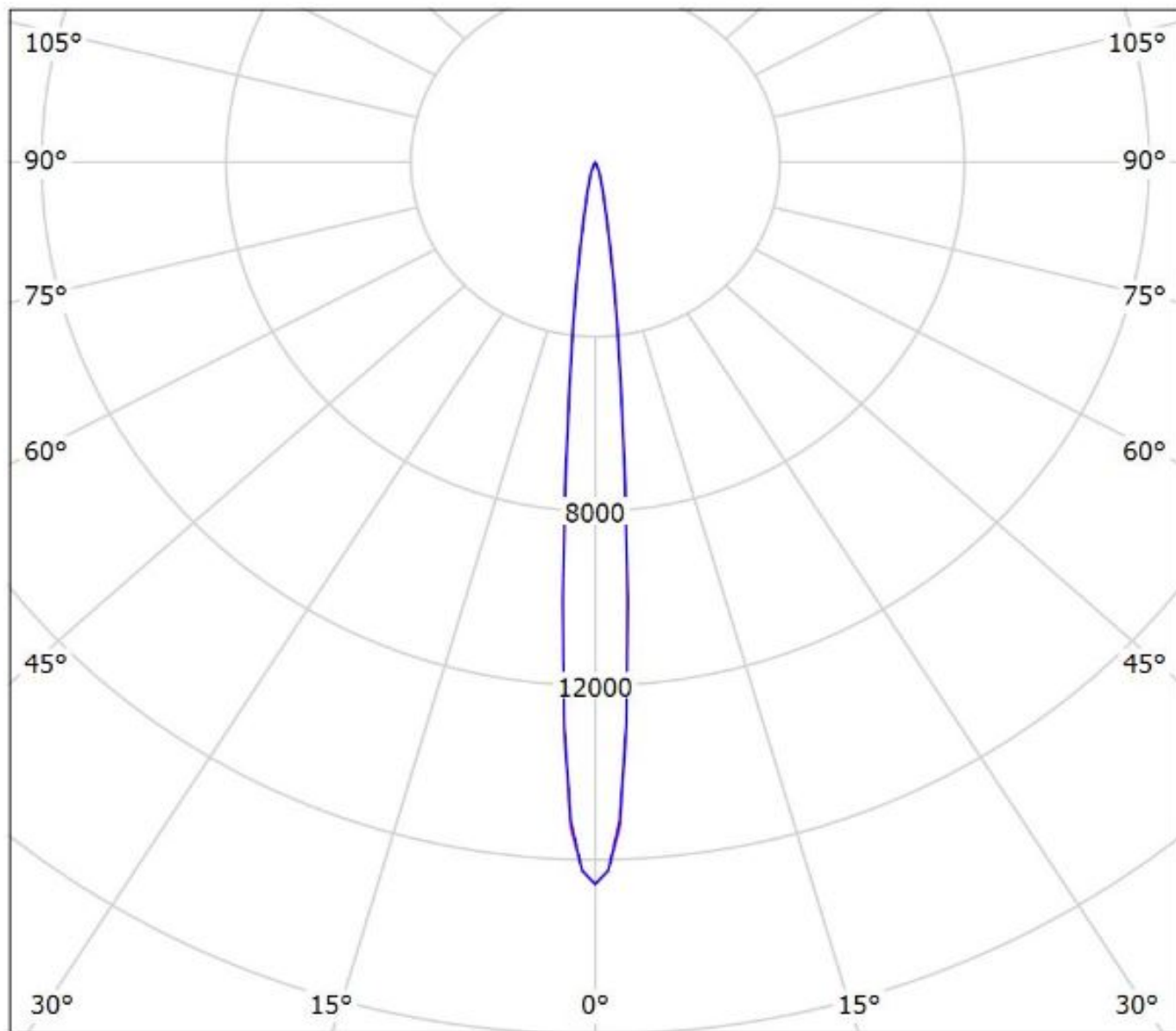
Luminaire: Ledil Oy CA11268-Heidi-W-XP-G LOR=92%
Lamps: 1 x Cree XP-G 91lm 250mA



Luminaire: Ledil Oy CA11266_Heidi-O-XP-G CA11266_Heidi-O-XP-G
Lamps: 1 x Cree XP-G (White)



Luminaire: Ledil Oy CA11663_Heidi-RS-XP-G CA11663_Heidi-RS-XP-G
Lamps: 1 x Cree XP-G white



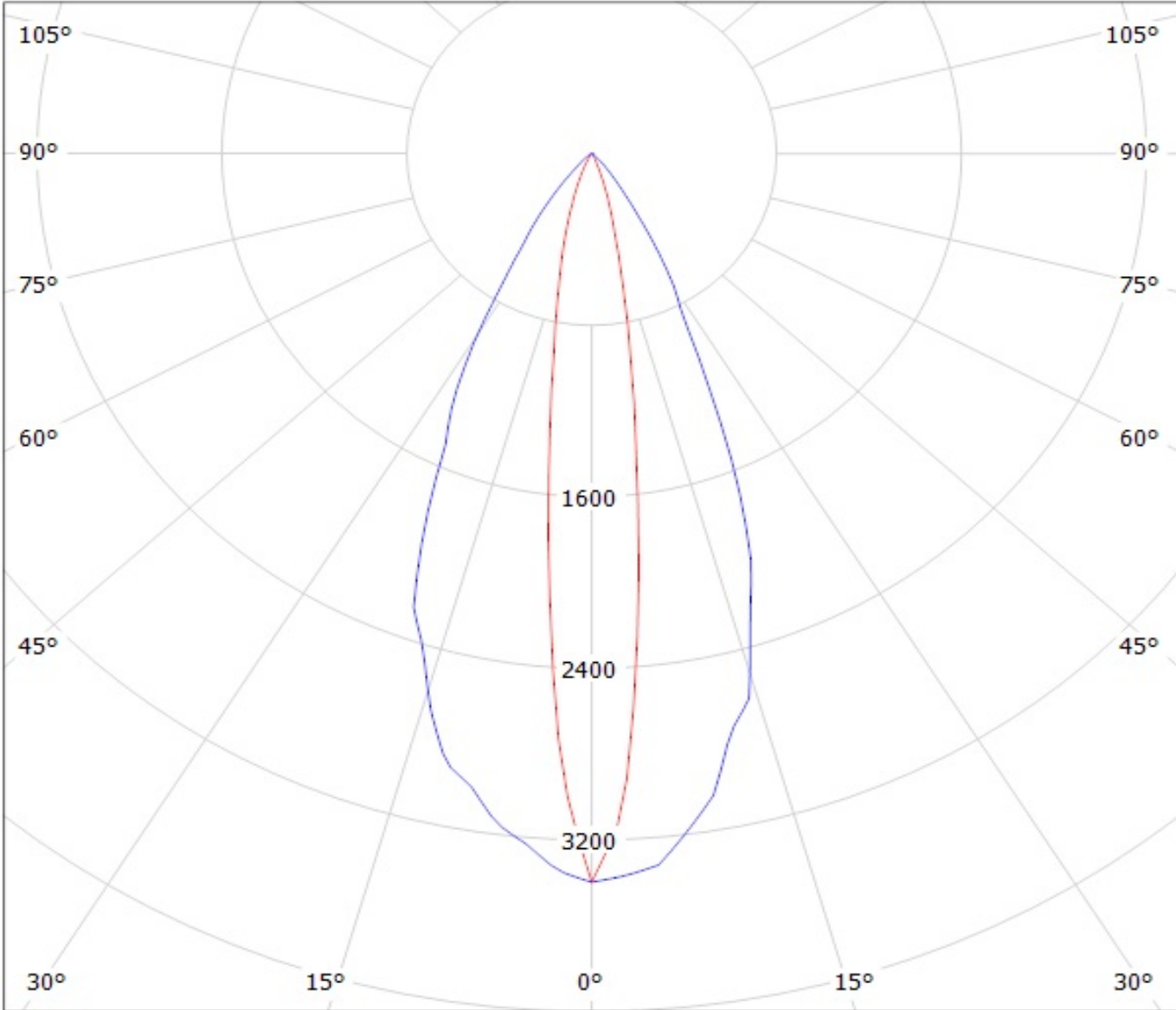
cd/klm

— C0 - C180

— C90 - C270

Luminaire: Ledil Oy CA11267_HEIDI-O-90 (Cree XP-G 87lm @ 250mA) Efficiency=87%

Lamps: 1 x Cree XP-G 87lm @ 250mA

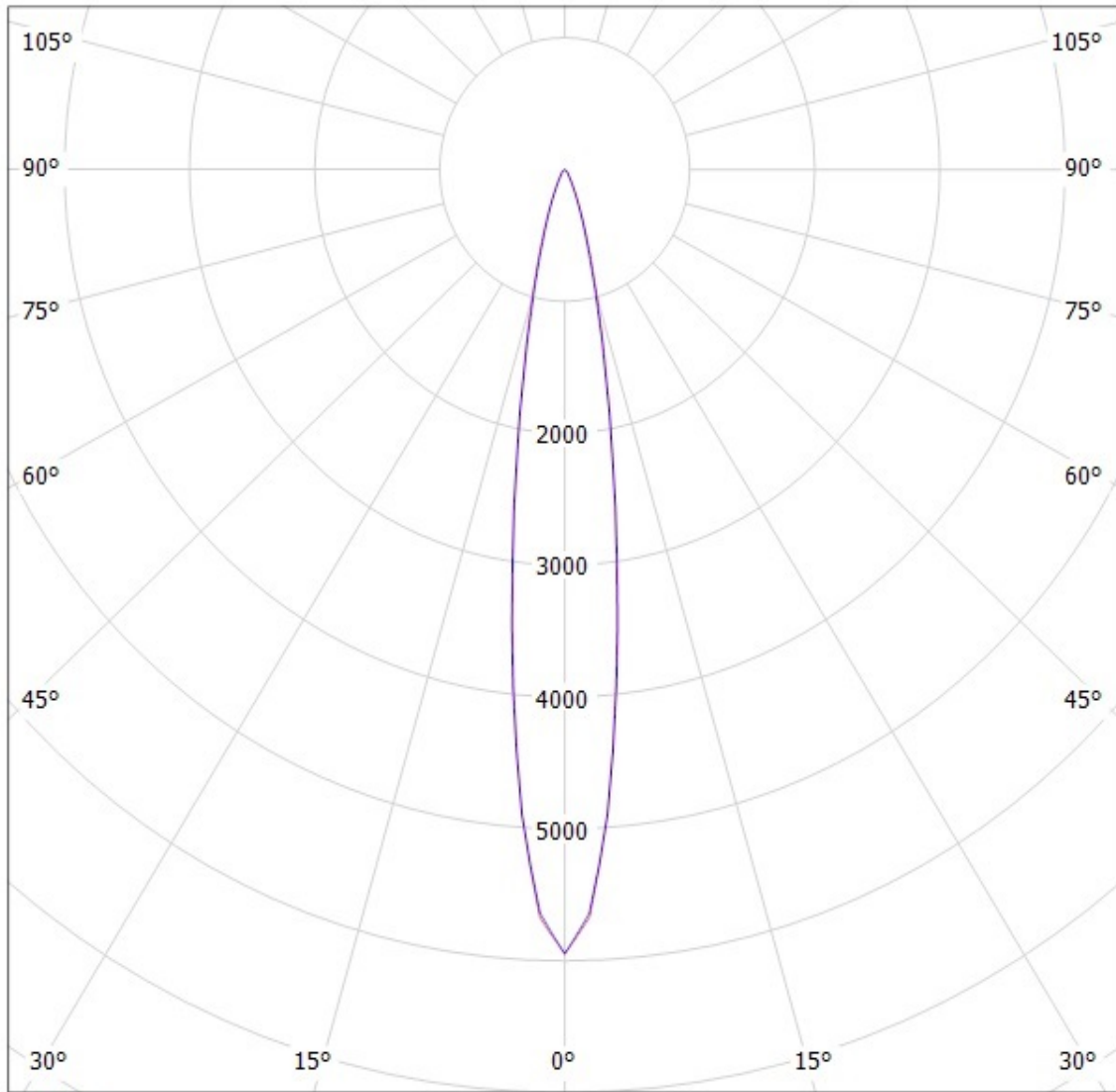


cd/klm

— C0 - C180 — C90 - C270

Ledil Oy CA12242_Heidi-SS-XP-G CA12242_Heidi-SS-XP-G Cree XP-G (white) 91lm @ 250mA
LOR=92% / LDC (Polar)

Luminaire: Ledil Oy CA12242_Heidi-SS-XP-G CA12242_Heidi-SS-XP-G Cree XP-G (white) 91lm @ 250mA LOR=92%
Lamps: 1 x Cree XP-G (white) 91lm @ 250mA



cd/klm

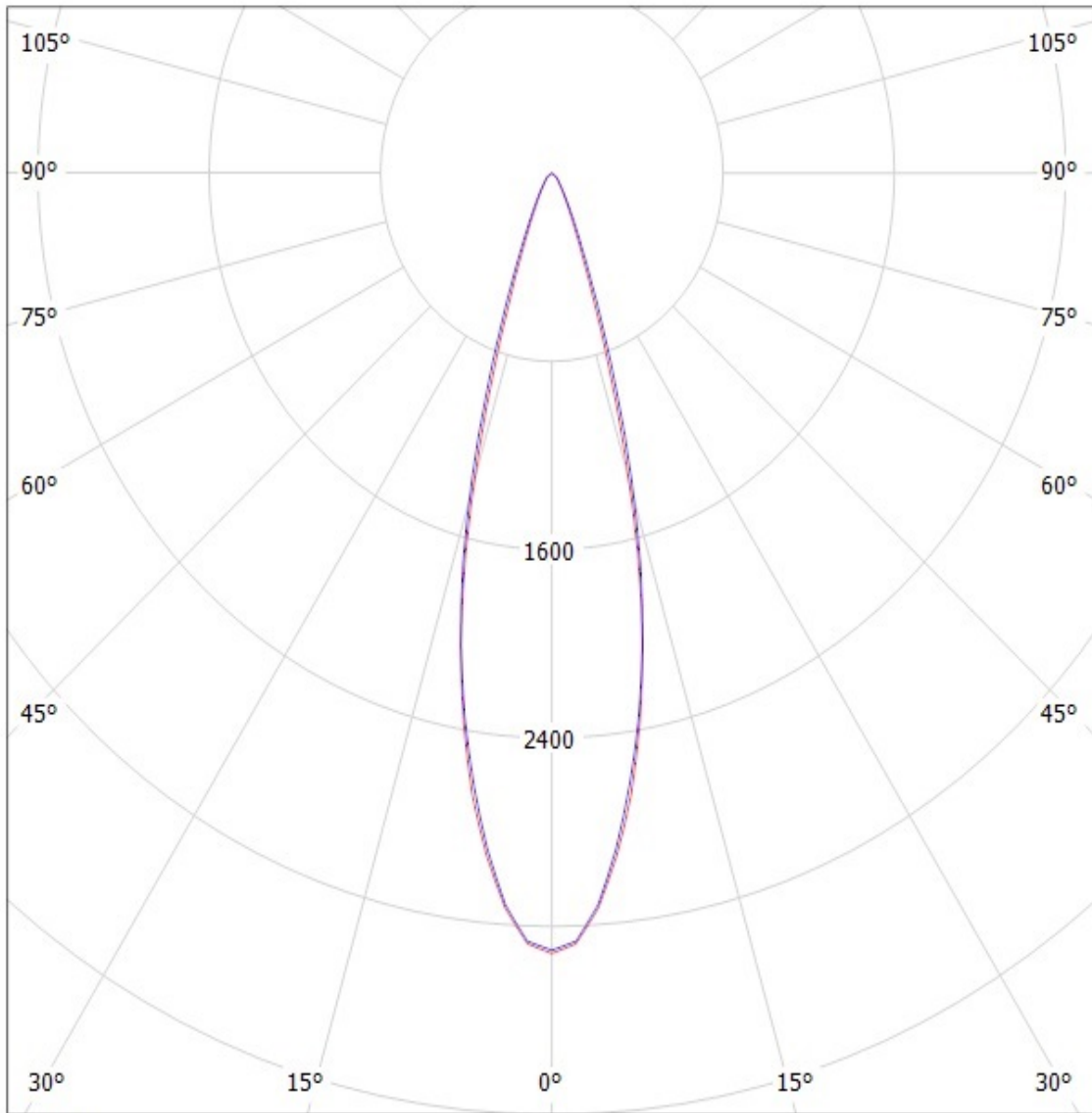
— C0 - C180 — C90 - C270

SIMULATED

Ledil Oy CA11265_Heidi-M-XP-G CA11265_Heidi-M-XP-G / LDC (Polar)

Luminaire: Ledil Oy CA11265_Heidi-M-XP-G CA11265_Heidi-M-XP-G

Lamps: 1 x Cree XP-G (White)



cd/klm

— C0 - C180

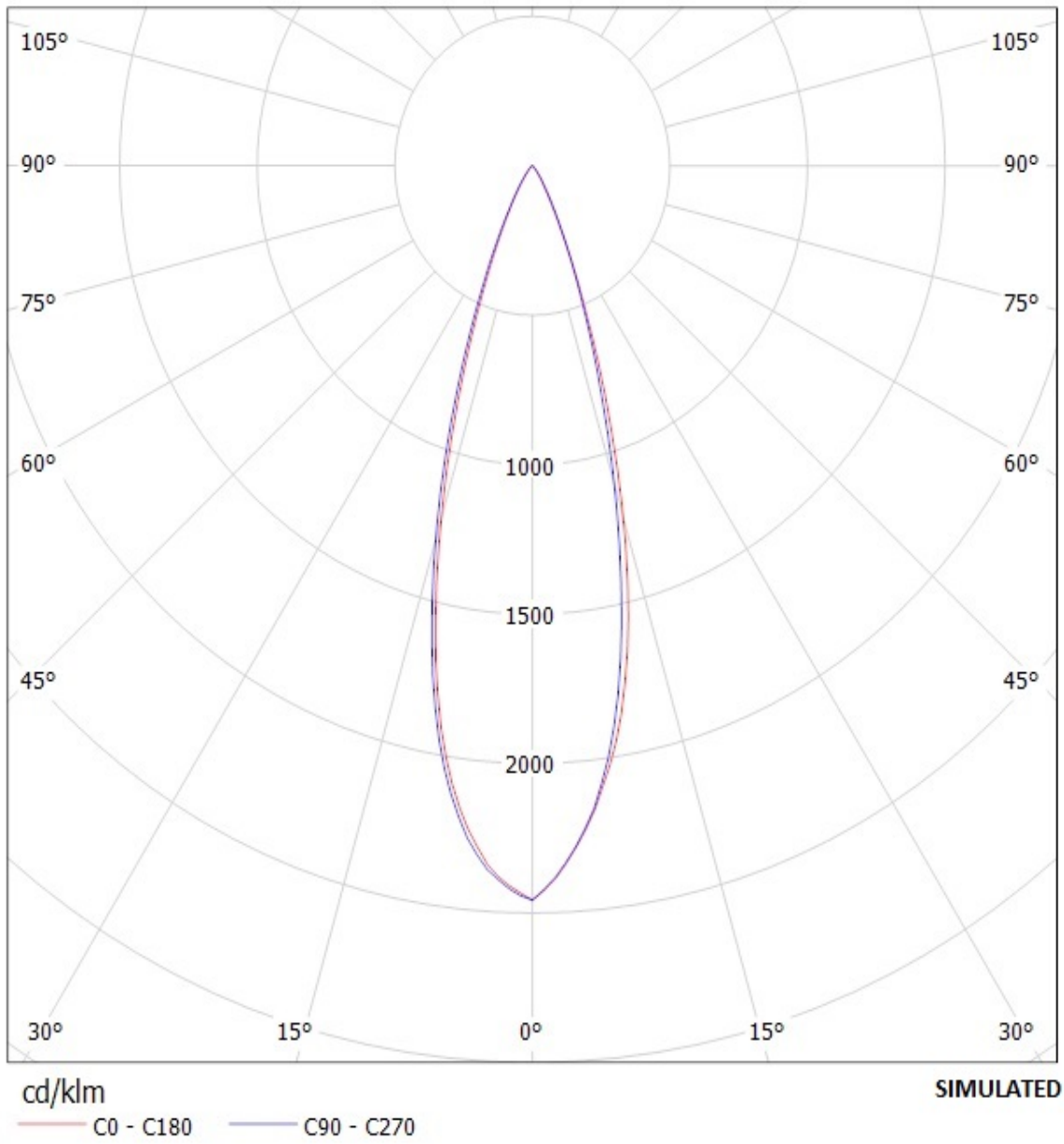
— C90 - C270

SIMULATED

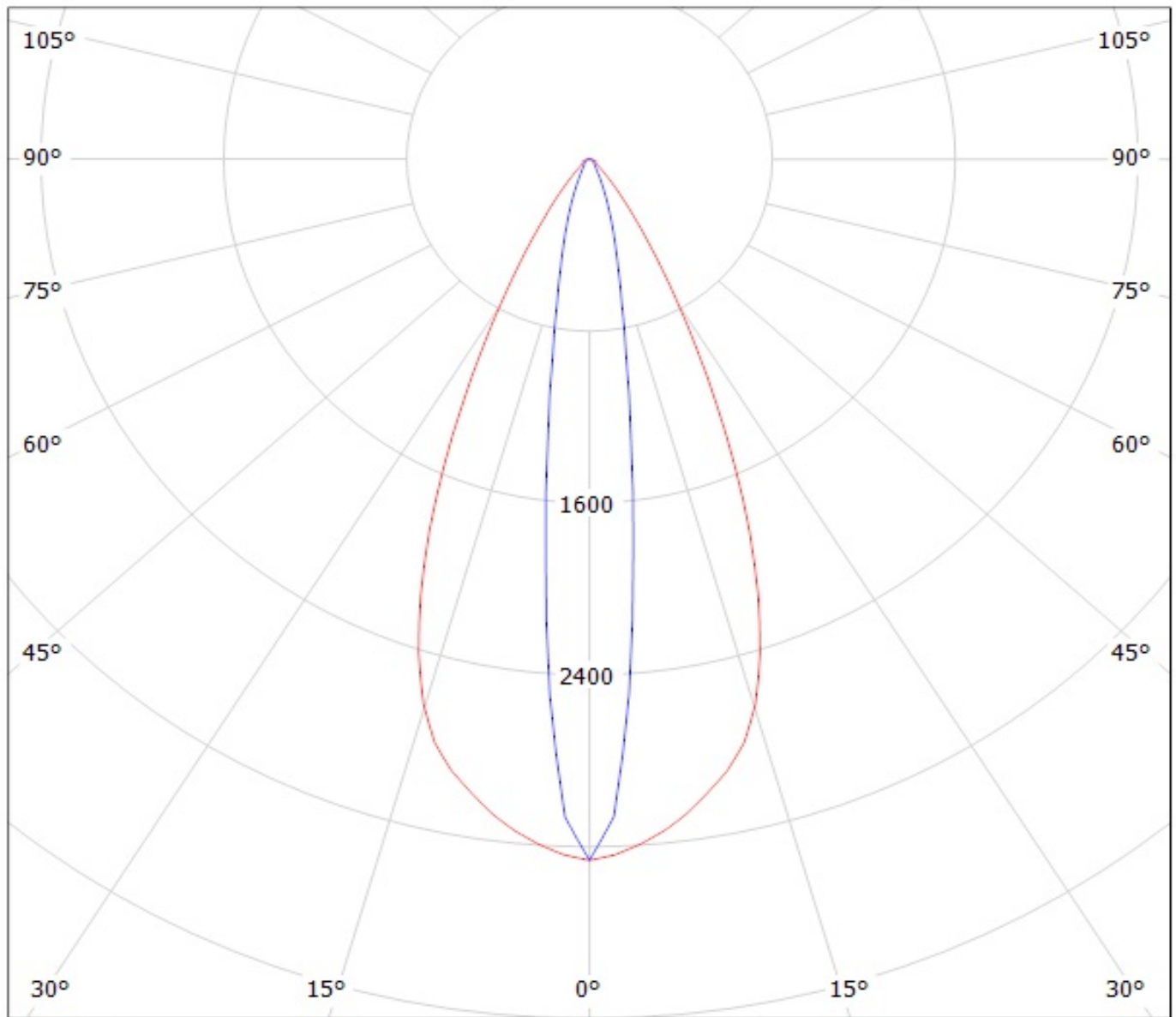
Ledil Oy CA11268-Heidi-W-XP-G LOR=92% / LDC (Polar)

Luminaire: Ledil Oy CA11268-Heidi-W-XP-G LOR=92%

Lamps: 1 x Cree XP-G 91lm 250mA



Luminaire: Ledil Oy CA11266_Heidi-O-XP-G CA11266_Heidi-O-XP-G
Lamps: 1 x Cree XP-G (White)



cd/klm

— C0 - C180

— C90 - C270