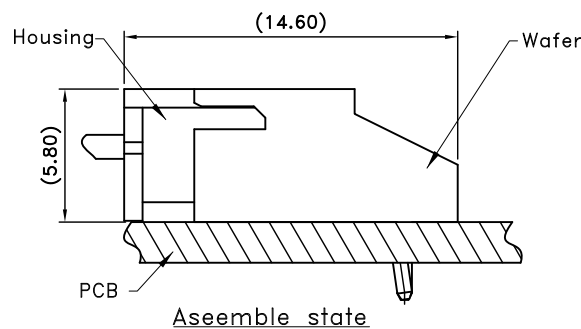
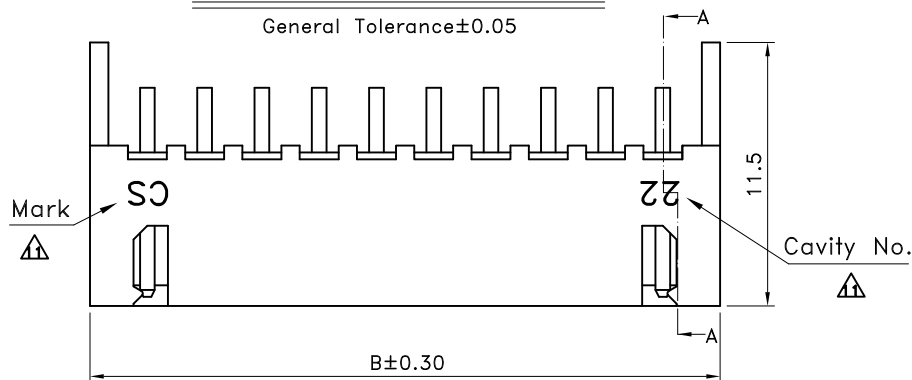
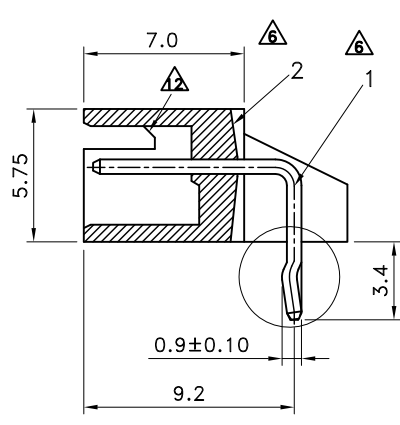
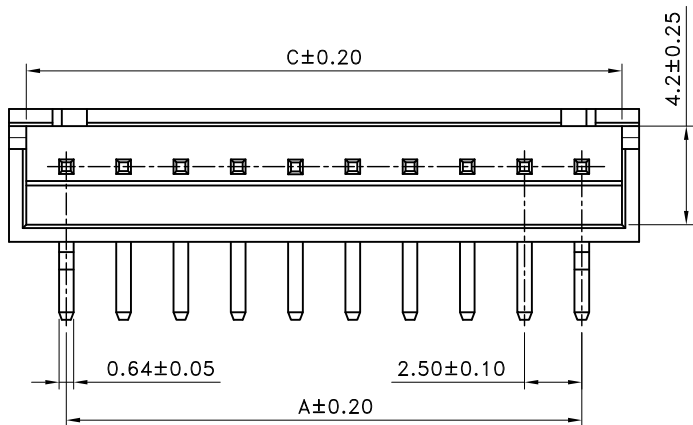


Recommended PCB Layout(Top View)

Poles	Dimension(mm)			Poles	Dimension(mm)		
	A	B	C		A	B	C
2	2.50	7.50	6.00	12	27.50	32.50	31.00
3	5.00	10.00	8.50	13	30.00	35.00	33.50
4	7.50	12.50	11.00	14	32.50	37.50	36.00
5	10.00	15.00	13.50	15	35.00	40.00	38.50
6	12.50	17.50	16.00	16	37.50	42.50	41.00
7	15.00	20.00	18.50	17	40.00	45.00	43.50
8	17.50	22.50	21.00	18	42.50	47.50	46.00
9	20.00	25.00	23.50	19	45.00	50.00	48.50
10	22.50	27.50	26.00	20	47.50	52.50	51.00
11	25.00	30.00	28.50				

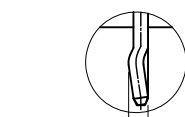
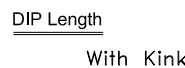
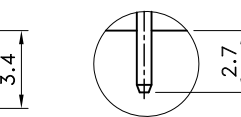
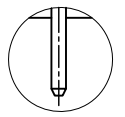
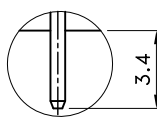


Aseembly state

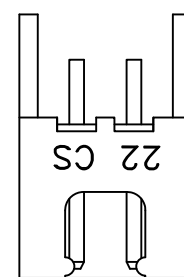


A-A Section

Blank : 3.4mm (Standard)



Structure Reference



2 Circuit

1/2 SPECIFICATIONS

- Rated Voltage : 250 V AC/DC
- Current Rating : 3A AC/DC.
- Withstanding Voltage : 1,000V AC/minute
- Insulation Resistance : 1,000M Ω min.
- Temperature Range : - 25°C to + 85°C
- Contact resistance : 20m Ω max.

WAFER

- Part No. : JS-1001R-XX (XXX XX X X) X

① Poles No : 2~20 (Right Angle)

② Plated : Blank : Bright-Tin Plated

NM : Matte-Tin Plated

G : Gold Over Plated

G1 : 30u" Gold Plated

③ Base Material : Blank : Nylon 66 UL94V-0

GF : Nylon 66+15% G.F

6TNH : Nylon 6T UL94V-0

④ Kink Type Blank : Without Kink

K : With Kink

⑤ DIP Length Blank : 3.4mm

D : 2.7mm

⑥ Color : Blank : Nature

R : Red(199C#)

R1 : Red(198C#)

BK : BLACK

BU : BLUE

Y : YELLOW

GN : GREEN

• Material : 1. Contact : Brass

2. Base : Refer the above options

D : 2.7mm • Package: Bag

喬訊電子工業股份有限公司
CHYAO SHIUNN
ELECTRONIC INDUSTRIAL LTD.

PART NO JS-1001R-XX(XXXXXXX)X
2.50mm DIP series wire to board connector(Right Angle)

APPROVED BY	SCALE	UNIT	TOLERANCE	LTR	REVISION RECORD	NAME	DATE	LTR	REVISION RECORD	NAME	DATE
張育瑞		mm	.0 ±0.30	△	JS-1001R全系列合併圖面	劉怡萱	2011/02/14	△	增加6TNH規格選項	謝君	2020/12/03
CHECKED BY	PROJ	VER NO.	.00 ±0.20	△	增加PA46選項,增加額定電壓	吳弘文	2011/11/05	△	增加綠色規格選項	謝君	2021/06/25
劉娜	⊕	a14	.000 ±0.10	△	新增產品規格	周美麗	2012/12/26	△			
DRAWN BY	DATE	SIZE	ANGLE		新增產品 BK, BU, Y 顏色規格	周家慶	2017/04/20				
謝君	2021/06/25	A4	0° ±1°	△	霧錫NMD選項改為NM	曾慶根	2018/11/13				
			.0° ±	△	圖面新增CS logo及模號標示	Eddie	2019/11/26				
			SHEET	1/1	△	依實物圖面增加倒角	曾慶根	2020/01/07			

CUSTOMER
 Conforms to The RoHS Instruction