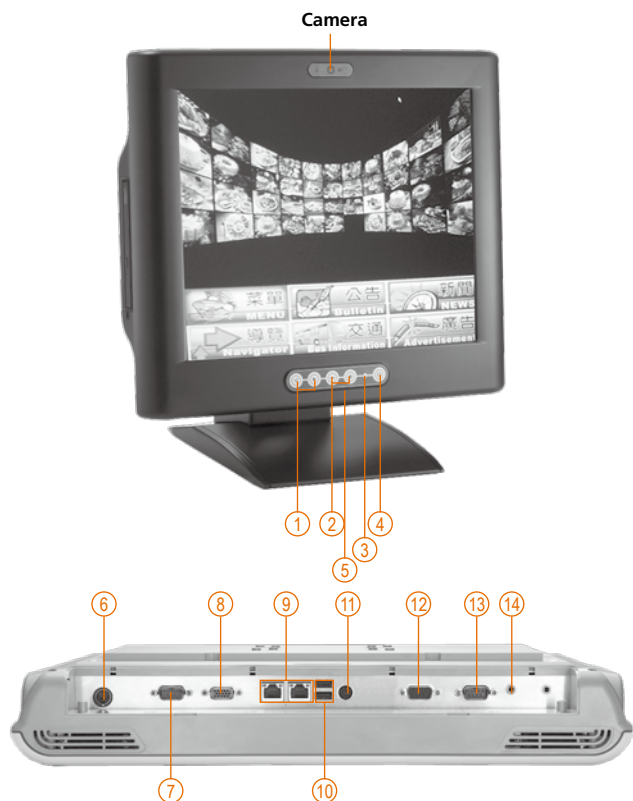


IFO2175-850-FL

17" TFT High Performance Fanless Touch Panel Computer with Intel® Core™2 Duo Processor up to 2.53 GHz

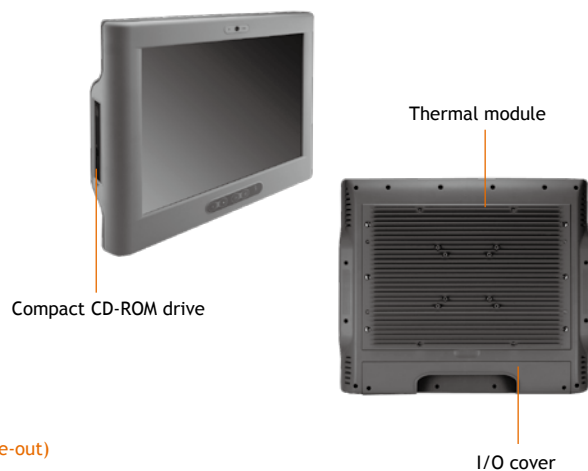


- | | | |
|------------------------------|----------------------|-----------------------------|
| 1. Brightness adjust buttons | 6. DC-in power conn. | 11. PS/2 K/B+M/S |
| 2. Volume adjust buttons | 7. COM 1 (RS-232) | 12. COM 3 (RS-232) |
| 3. Power LED | 8. VGA | 13. COM 2 (RS-232) |
| 4. Power switch | 9. Ethernet x 2 | 14. Audio (Mic-in/Line-out) |
| 5. MIC | 10. USB 2.0 x 2 | |

Features



- 17" high brightness (380 nits) SXGA TFT LCD
- Socket P for Intel® Core™2 Duo/ Celeron® M processor with FSB 667/800/1066 MHz
- Water/dust-proof design (front bezel: IP65, full enclosure: IPX1)
- Fanless and noiseless operation
- Optional 1.3 mega pixels camera
- Optional wireless (802.11 b/g) antenna



Introduction

The IFO2175-850-FL is a slim panel computer equipped with 17-inch 380 nits SXGA LCD display and supports superior Intel® Core™2 Duo/Celeron® M processor. Powered by Intel® GM/GL45 +ICH9M core logic chipset with maximum 256 MB sharing graphics memory, and overall better graphics performance. The panel also supports Dual View and multiple I/O options including 2 USB 2.0 and 3 RS-232 ports. The built-in 1.3 mega pixels camera and microphone/speakers can provide a solution for VoIP and remote monitoring. The IFO2175-850-FL supports an antenna for wireless (802.11 b/g) expansion. The dual Gigabit Ethernet ports can provide an extremely high speed of Ethernet and highly reliable redundancy host connection. The IFO2175-850-FL is designed to work with low noise, low

power consumption, high reliability and high performance applications. Its excellent industrial design (ID) and user friendly interface design makes it a safe, reliable & user-friendly panel computer. Best suited for infotainment, media content display and DSA solutions.

Water/dust-proof design for entire system: IPX1

The IPX1-rated water/dust-proof housing protects the entire system from outside damage of water drip in public place. This unique design improves system stability and save maintenance/re-installation time.

Specifications

Front Bezel	Plastic ABS (Black)	BIOS	AMI BIOS with SmartView and customer CMOS backup
LCD Panel	Display Type	Storage	1 x 2.5" SATA HDD
	Brightness (cd/m ²)	Optical Drive	1 x combo drive (optional)
	Resolution	Watchdog	255 levels, 1-255 sec.
	Viewing Angle (H/V)	Timer	
Main System	CPU	Onboard	Intel® GM45
	Chipset	Graphics	
	System Memory		
	Socket P for Intel® Core™2 Duo/ Celeron® M processor with FSB 667/800/1066 MHz		
	Intel® GM/GL45 + ICH9M		
	Supports 1 DDR3 SO-DIMM memory up to 4 GB		

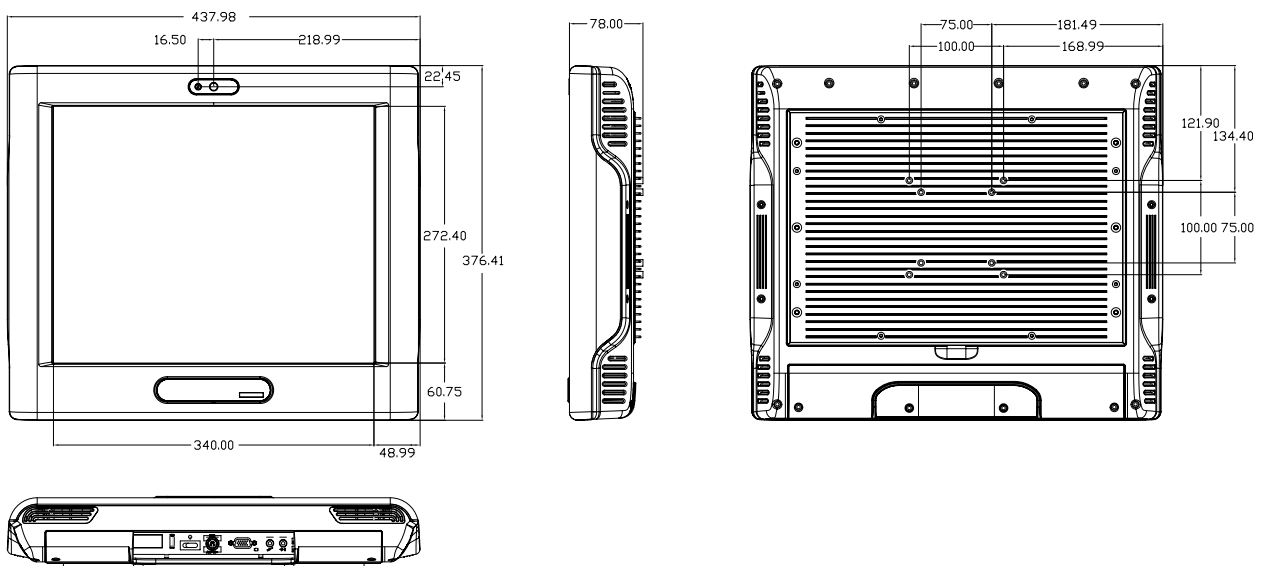
I/O Connectors	2 x RS-232 (COM 1/2) 1 x RS-232 (COM 3) 2 x USB 2.0 2 x PS/2 mouse and keyboard 1 x Audio (Mic-in/Line-out) 1 x VGA 2 x 10/100/1000Mbps Ethernet
Camera	1 x 1.3 mega pixels camera
Touchscreen	Resistive type Light transmission: 80% Touch lifespan: 35 million touches
Power Supply	12V _{dc} with AC-DC power adaptor
Dimensions	437.98 mm (17.24") (W) x 76.5 mm (3.01") (D) x 376.41 mm (14.81") (H)
Weight (net/gross)	7.65 kg (16.85 lb)/9 kg (19.84 lb)
Environment	Operating temperature: 0°C - +40°C (32°F - 104°F) Relative humidity: 10% - 95%, non-condensing Shock: 10G peak acceleration (11 sec. duration)
Certification	CE

Ordering Information

IFO2175-850 -FL-AC-CO	17" TFT high brightness fanless panel computer with resistive T/S, slim combo and camera
IFO2175-850 -FL-AC	17" TFT high brightness fanless panel computer with resistive T/S (w/o combo and camera)

* Specification and certifications are based on options and may vary.

Dimensions



Optional Accessories

E202003330	VM-101 VESA ARM (clamp type)
E202003329	VM-105 VESA ARM (wall mount type)
E222175103	17" stand kit

Optional OS Installation

Windows® XP
Windows® 7

Overview

Digital Signage Solutions

Healthcare & Medical Solutions
> Medical Panel Computers

Healthcare & Medical Solutions
> Medical Grade Monitors

Fanless & Heavy-duty Touch Panel Computers

Touch Panel Computers for Infotainment

Industrial Touch Panel Computers & Monitors
> Industrial Touch Panel Computers

Industrial Touch Panel Computers & Monitors
> Industrial Touch Panel Monitors

Open Frame Panel Computers

Accessories