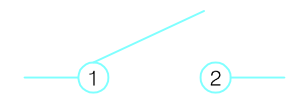
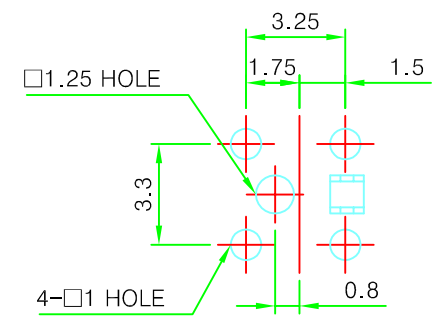


SPECIFICATION

1. RATINGS : 0.1A 30V DC
2. CIRCUIT : 1C-1P
3. OPERATING FORCE : 40gf MAX
4. CONTACT RESISTANCE : 1 Ω MAX
5. LIFE : 50,000 CYCLES MIN



CIRCUIT DIAGRAM



PCB PATTERN

NO.	REVISED DATE	REVISED DETAILS	SIGN	DATE	2003.	SCALE	DESIGNED	CHECKED	APPROVAL
	/ /			S/W TYPE	NEW SWITCH	6 / 1			
	/ /			MODEL NO.	IND-1120				
	/ /			DRAWING NO.	-	UNIT mm	/ /	/ /	/ /