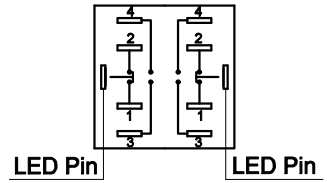
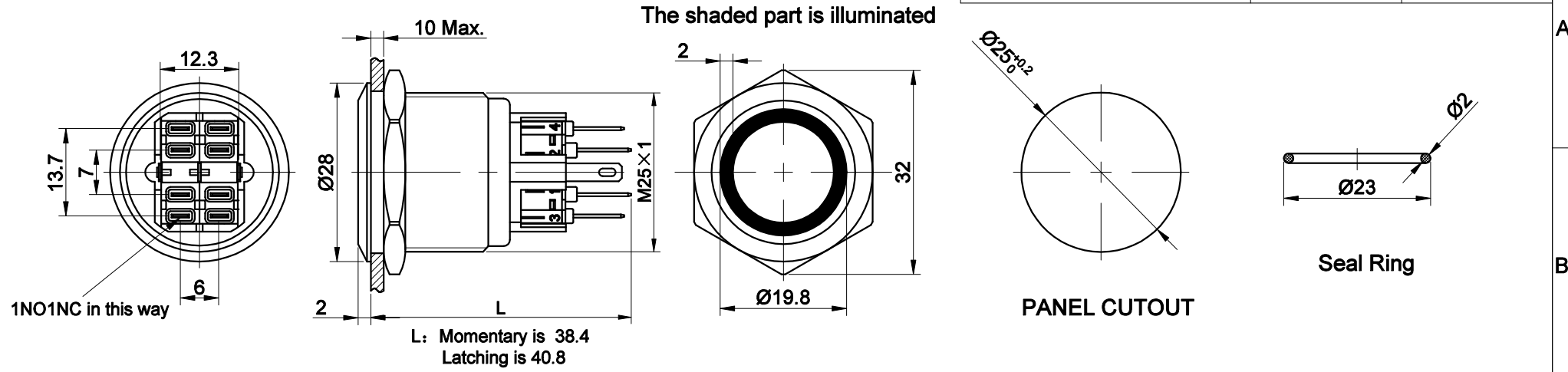


|             |                    |               |
|-------------|--------------------|---------------|
| FOR<br>客户名称 | APPROVED<br>客户确认签字 | ATTN<br>销售负责人 |
|             |                    |               |



**Contact Composition**  
1、2、3、4 are one set.  
1,2 are normal closed(NC);  
3,4 are normal opened(NO).

| "□" | Contact structure |
|-----|-------------------|
| 11  | 1NO1NC            |
| 22  | 2NO2NC            |

| "■"       | Operation mode |
|-----------|----------------|
| No Letter | Momentary      |
| Z         | Latching       |

| "△" | Lamp Color |
|-----|------------|
| R   | Red        |
| G   | Green      |
| Y   | Yellow     |
| B   | Blue       |
| W   | White      |

| "▲"  | Lamp Voltage |
|------|--------------|
| 6V   | AC/DC 6V     |
| 12V  | AC/DC 12V    |
| 24V  | AC/DC 24V    |
| 110V | AC/DC 110V   |
| 220V | AC/DC 220V   |

Other voltage can be made to order

| "◎" | Crust material  |
|-----|-----------------|
| S   | Stainless steel |
| A   | Al alloy(black) |

Part Number: GQ25-□■E/△/▲/◎

**SPECIFICATIONS:**

1. Switch Rating: AC220V/2A, DC220V/0.1A.
2. Mechanical Life: ≥1,000,000cycles.
3. Electrical Life: ≥50,000cycles.
4. Contact Resistance: ≤50mΩ.
5. Insulation Resistance: ≥1,000MΩ.
6. Dielectric Strength: 1,500V, RMS 50Hz, 1min.
7. Operating Temperature: -25°C ~ +55°C (No Freezing).
8. Operating Force: About 5N(1NO1NC)/About 7.5N(2NO2NC).
9. Operating Travel: About 2.5mm.
10. Torque: About 0.6Nm max. applied to nut.
11. Protection degree: IP65, IP67 (Momentary can made to order); IK10.
12. Terminal Type: Pin Terminal (2.8 x 0.5mm).

**MATERIALS:**

1. Contact: Silver alloy.
2. Button: ◎.
3. Body: ◎.
4. Base: PA.

|   |  |  |                          |
|---|--|--|--------------------------|
| <b>BRAND</b> ONPOW<br><b>品牌</b> 红波  |  | <b>红波按钮制造有限公司</b><br>ONPOW PUSH BUTTON MANUFACTURE CO.,LTD.                            |                          |
| THESE DRAWINGS AND SPECIFICATIONS ARE THE PROPERTY OF ONPOW PUSH BUTTON MANUFACTURE CO.,LTD. AND SHALL NOT BE REPRODUCED COPIED OR USED IN ANY MANNER WITHOUT THE PRIOR WRITTEN CONSENT OF ONPOW PUSH BUTTON MANUFACTURE CO.,LTD. |  | USED<br>用途   | APPD<br>审核 CH 2020/03/04 |
| FINISH<br>处理  |  | CHKD<br>校对 NCH 2020/03/04  | DR.<br>制图 ZPD 2020/03/04 |
| SCALE<br>比例 1.1 / 1   |  | UNIT<br>单位 mm  | DR.<br>制图 ZPD 2020/03/04 |
| DIMENSIONS<br>0.00 TO 3.00mm ±0.25mm<br>3.01 TO 6.00mm ±0.30mm<br>6.01 TO 10.00mm ±0.38mm<br>10.01 TO 18.00mm ±0.43mm<br>18.01 TO 30.00mm ±0.52mm<br>30.01 TO 50.00mm ±0.62mm<br>50.01 TO 80.00mm ±0.74mm                         |  | TOLERANCE<br>±0.25mm<br>±0.30mm<br>±0.38mm<br>±0.43mm<br>±0.52mm<br>±0.62mm<br>±0.74mm |                          |
| TITLE<br>名称 GQ Series Anti-vandal push button   |  |  | SIZE<br>图纸 A4            |
| DWG NO.<br>图号 GQ25-E  |  |  | SHEET<br>张 1 / 1         |
| FILE NAME<br>档案名称 GQ25-E.DWG  |  |  | REV.<br>更改 1             |
| Government standard: GB/T 1900.1-2009;<br>Grade of tolerance: IT14.   |  |  |                          |