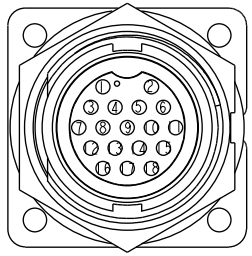
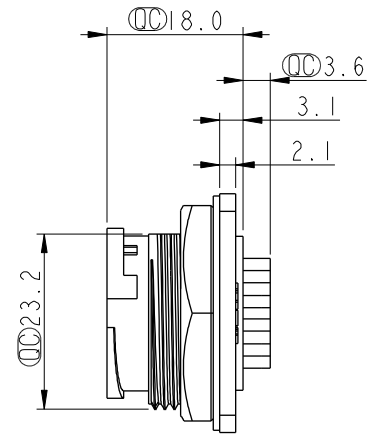


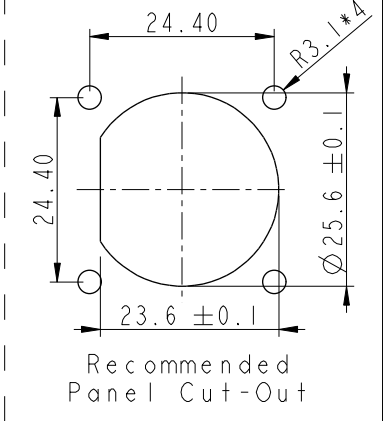
REV.	ECN NO.	DATE	SIGN	DESCRIPTION
C	LEN-8A0216	2008/09/11	Shin	Add Notes



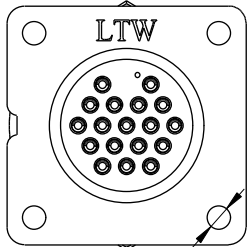
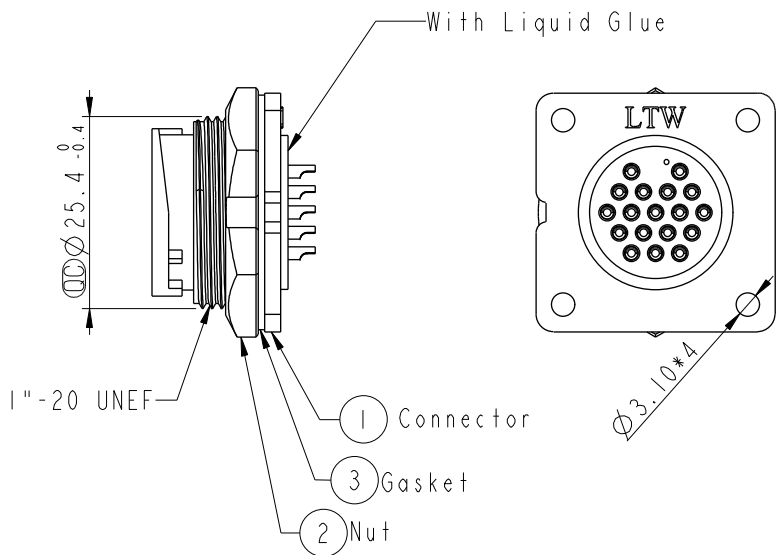
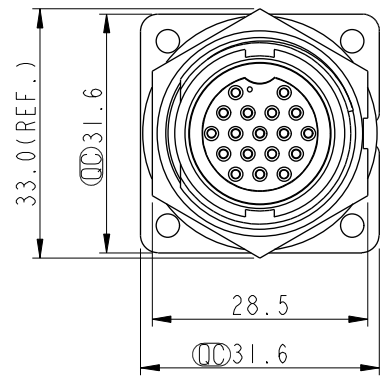
Pin Assignments
Front View 前視圖



ALTW
CONFIDENTIAL
2012-05-23
R&D DEPT.



ALTW
DCC. DEPT.
CONFIDENTIAL
2012-06-22
ISSUED



- NOTE:
- * \varnothing Important Dimension. (\varnothing 為重點檢驗尺寸)
 - * Waterproof Rate: IP67
 - * Connector: Black, Nylon+GF.
 - * Pin: Copper Alloy, Gold Plated
 - * Nut: Black, Nylon+GF
 - * Gasket: Black, EPDM
 - \triangle * Use Waterproof Cap or Dust Cap
Panel Thickness Max: 3.0mm
 - \triangle * Use without Waterproof Cap or Dust Cap
Panel Thickness Max: 4.0mm

UNIT: mm		
TOLERANCE	.X ±0.25	
.XX ±0.1		
.XXX ±0.05		
ANGLES	±1°	

TITLE Large, Panel Lock 18P M Conn F Pin			
SCALE 1:1	SIZE A4	SHEET 1 OF 1	
REV. C	WC-REV. A.2	\varnothing : Inspection item	

Amphenol LTW
安費諾亮泰企業股份有限公司

ITEM NO. DD-18PMFS-LS7001	DRAWN BY SamChang	DATE 2012-05-23
DWG NO. DD-18PMFS-LS7001	CHECKED BY Jeffrey	DATE 2012-06-22
CUSTOMER ALTW	APPROVED BY Lion	DATE 2012-06-22

THIS DOCUMENT IS SUBJECT TO CHANGE WITHOUT NOTICE. IT IS CONFIDENTIAL AND A PROPERTY OF AMPHENOL LTW. DISCLOSURE TO THIRD PARTY HAS TO BE AUTHORIZED BY AMPHENOL LTW.