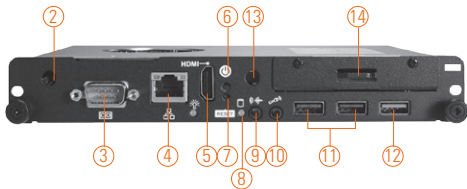


OPS883-H

4th Generation Intel® Core™ i7/i5/i3 processor Open Pluggable Specification (OPS) Digital Signage Player with Intel® H81 Chipset and TPM 1.2

NEW



- | | | |
|---------------------|--------------------|----------------------|
| 1. JAE TX-25 | 6. Power Switch | 11. 2 x USB 2.0 |
| 2. Optional Antenna | 7. Reset | 12. 1 x USB 3.0 |
| 3. RS-232 | 8. HDD indicator | 13. Optional Antenna |
| 4. Ethernet | 9. Audio(Line-out) | 14. 2.5" SATA HDD |
| 5. HDMI Output | 10. Audio(Mic.-in) | |

Specifications

Main System	CPU	Socket LGA1150 4th Generation Intel® Core™ processors (Haswell Refresh)
	Chipset	Intel® H81
	System Memory	1 x 204 pin DDR3 SO-DIMM 1600 max. up to 8 GB
	Storage	1 x 2.5" SATA HDD tray
	Watchdog Timer	255 levels, 1-255 sec.
I/O	2 x USB 2.0	
	1 x USB 3.0	
	1 x 10/100/1000Mbps Ethernet	
	1 x HDMI with 4K Resolution	
	1 x RS-232 (COM2)	
	1 x power on/off button	
	1 x reset button	
	1 x Audio (Line-out)	
	1 x Audio (Mic-in)	
	1 x Display Port (via OPS JAE interconnector)	
	2 x USB 2.0 (via OPS JAE interconnector)	
	1 x USB 3.0 (via OPS JAE interconnector)	
	1 x Audio (Line out, via OPS JAE interconnector)	
1 x UART (TX/RX, via OPS JAE interconnector) (COM1)		
Indicator	1 x LED for system power ON	
	1 x LED for HDD active	
WiFi	Optional 802.11 b/g/n	
Expansion Slot	1 x full-size PCI Express Mini card (USB+PCI Express Signal)	
Dimensions	200 mm (7.87") (W) x 119 mm (4.68") x 30 mm (1.18")	
Packing Dimension	270 mm (10.63") (W) x 197 mm (7.76") x 70mm (2.76")	
Weight (net/gross)	1 kg (2.21lb)/ 1.5 kg (3.3 lb)	
Environmental	0°C ~ +45°C (+32°F ~ +113°F) (With airflow 1.2m/s)	

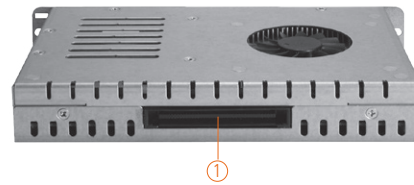
Packing

- 1 x driver CD
- 1 x thermal grease
- 2 x M2 x 5 screw
- 2 x M4 x 6 screw

* All specifications and photos are subject to change without notice.

Features

- Intel® Open Pluggable Specification (OPS) compliance
- 4th Generation Intel® Core™ i7/i5/i3 processor (Haswell Refresh)
- Supports DDR3 SO-DIMM 1600 max. up to 8 GB
- Supports 1 PCI Express Mini Card
- Supports 4K resolution
- Supports TPM 1.2
- Easy Installation and maintenance
- HDMI for 2nd display



Optional OS Installation

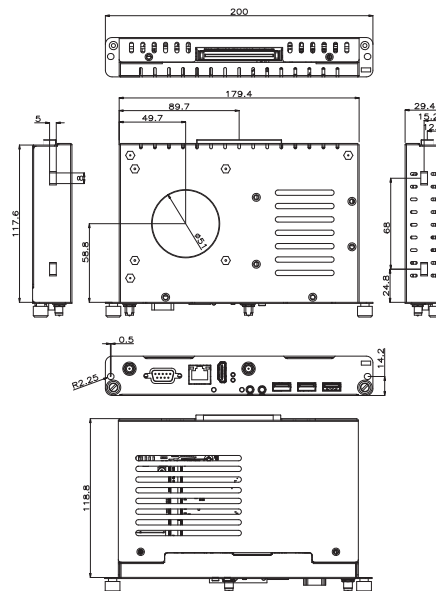
Windows® 7, Windows® 8.1

Ordering Information

Standard	
OPS883-H	OPS digital signage player supports Socket LGA1150 Intel® Core™ i7/i5/i3 processor
Optional	
OPF320	31.5" full HD digital signage display
OPF321	31.5" LED backlight full HD digital signage display
AX93167	OPS docking board with 4K solution

* Specifications and photos are based on options and may vary

Dimensions



Overview

Industrial Panel Computers & Monitors

Heavy-duty Fanless Touch Panel Computers

3 Digital Signage Solutions

Healthcare & Medical Solutions

Open Frame Panel Computers

Accessories

