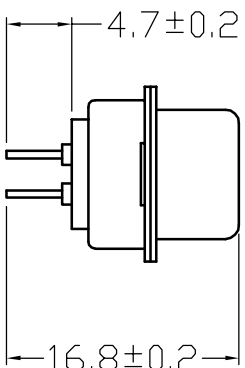
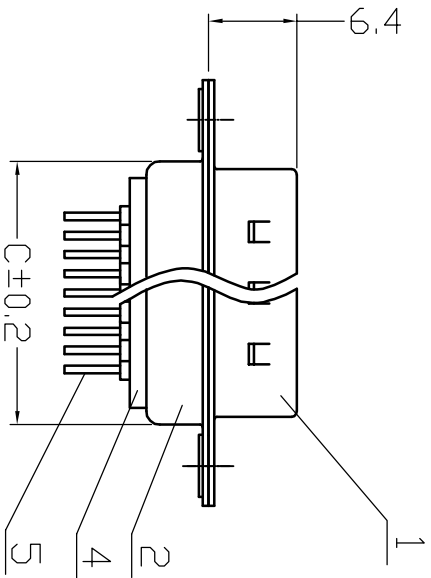
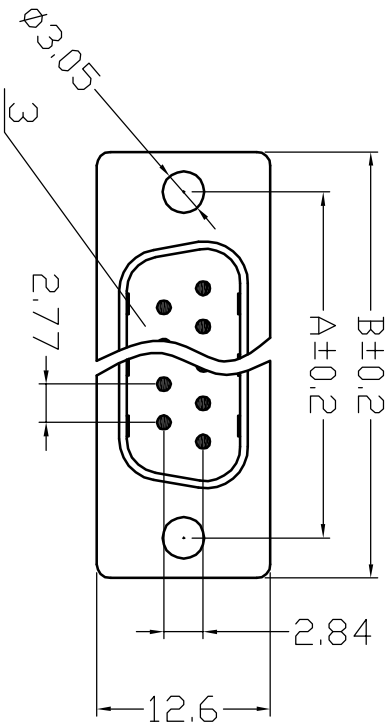


序号/Rev.No	名称/Title	文件编号/File No
1	上铁壳	
2	下铁壳	
3	101M耐料塑件	
4	101M后料塑件	
5	101M端子	



Position	A	B	C
9	24.99	30.81	19.36
15	33.32	39.20	27.64
25	47.04	53.10	41.08
37	63.50	69.50	57.38

Specifications:
 Contact Resistance: 30mΩ max. at DC 100 mA
 Insulator Resistance: 1000MΩ min. at DC 500V
 Current Rating: 5AMP
 Dielectric Withstanding
 Voltage: AC 1000V For 1 minute
 Operating Temperature: -55°C--+105°C
 Contact: Brass
 Housing: PBT &30% Glass Fiber (UL 94V-0)

序号/Rev.No

更改记录/Revision note

签名/Signature

日期/Date

设计/Designed by: _____ 绘图/Drawn by: _____ 审核/Checked by: _____ 批准/Approved by: _____

新亚电子
 XIYVA ELECTRONIC CO., LTD

图名/Title: 101M产品图

文件编号/File No: _____

页序/Sheet: _____

备注/Remark: _____

单位/Units: mm

公差/General Tolerance:
 X: ±0.2
 X: ±0.1
 .XX: ±0.05
 .XXX: ±0.01