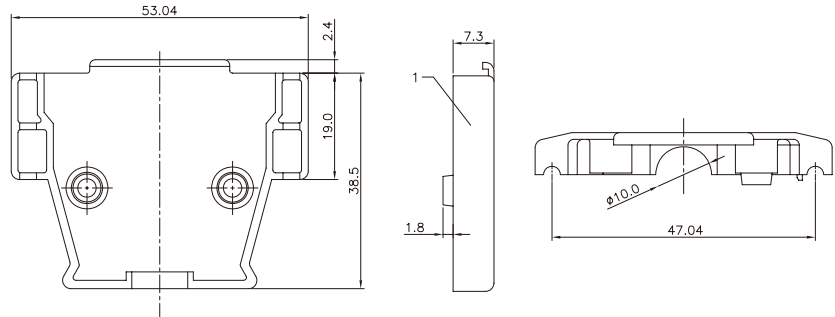


1 2 3 4 5 6 7 8

A  
B  
C  
D  
E  
F  
G  
H

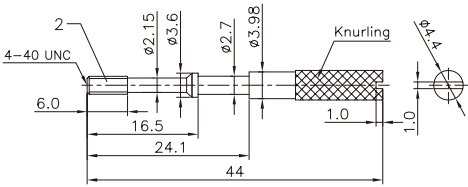
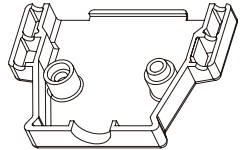
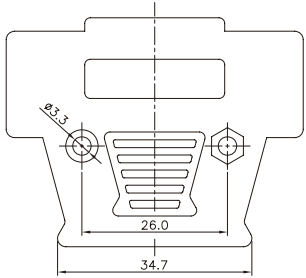


BOM LIST			
ITEM	PART NAME	Q'ty	NOTES
1	METAL HOOD	2	
2	BOLT	2	
3	NUT	2	
4	SCREW-1	2	
5	5.1 METAL WASHER	2	
	5.2 PLASTIC-1 WASHER	2	
	5.3 PLASTIC-2 WASHER	2	
6	SCREW-2	2	
7	SR	1	

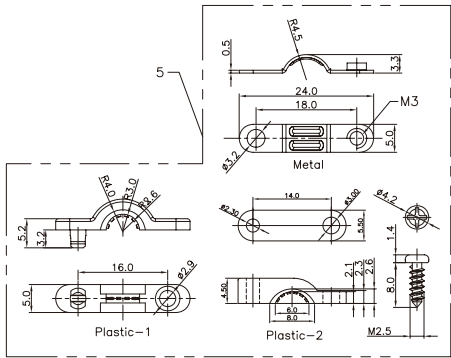
### HOW TO ORDER

ULO-DBH385 - 25 X X X X

Wash type  
 1: Metal  
 2: Plastic-1(Lock type)  
 3: Plastic-2(Screw type)  
 Long type  
 L: Long  
 Packing type  
 1: Mix packing  
 2: Separation packing  
 Cover Material  
 M: Metal(Znic alloy)  
 Positions  
 25: 25pin

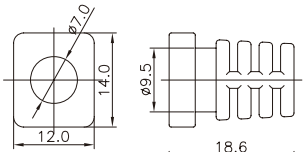


BOLT

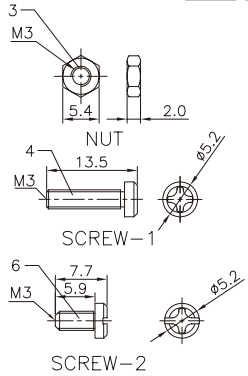


Plastic-1

Plastic-2



SR



NUT

SCREW-1

SCREW-2

UNLESS TOLERANCES	
X.X ± 0.38	X.X* ± 3'
X.XX ± 0.25	X.XX* ± 1'
X.XXX ± 0.05	X.XXX* ± 0.5'

ULO ELECTRONICS CO., LTD

UNIT	SHEET	REV	A0
mm	1/1		
DRAW	CHECK	APPROVE	
CHENGANG			
2012-10-25			

ULO-DBH385-25P

PART NO.

1 2 3 4 5 6 7 8