

Datasheet

SATADOM-ML

3MG-P series

- SATA 6Gb/s interface
- iSMART disk health monitoring
- Intelligent error recovery system
- Excellent data transfer speed
- Dram buffer
- Write protection security
- Zero mechanical interference
- Anti-vibration mechanical design



Introduction

Innodisk SATADOM-ML 3MG-P is designed as the standard SATA 7 pin connector with SATA interface, and supports SATA III standard (6.0Gb/s) with excellent performance. Regarding of mechanical interference, Innodisk SATADOM-ML 3MG-P absolutely replaces the traditional hard disk and makes personal computer, in any field, smaller and easier.

Innodisk SATADOM-ML 3MG-P effectively reduces the booting time of operation system and the power consumption is less than hard disk drive (HDD), and complies with ATA protocol, no additional drives are required, and can be configured as a boot device or data storage device.

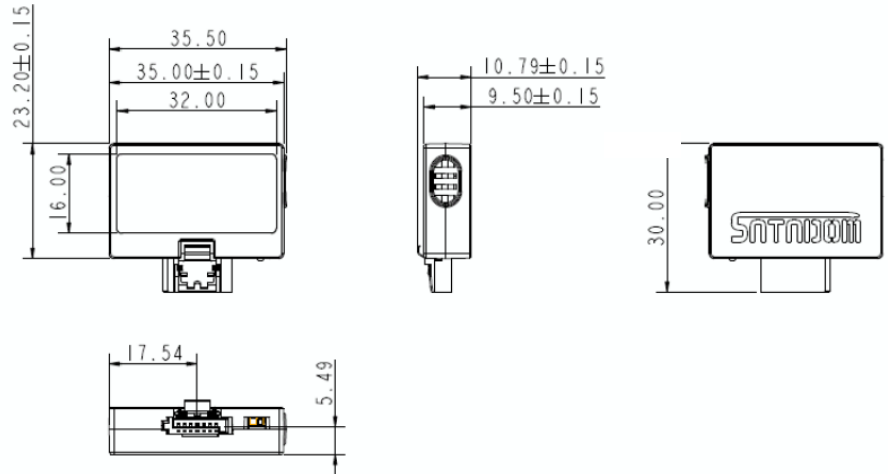
SATADOM-ML

3MG-P series

Contact us for more information about the SATADOM-ML 3MG-P.

Innodisk is a service-driven provider of industrial embedded flash storage and Dram products and technologies, with a focus on the cloud computing, industrial/embedded, and aerospace and defense industries.

Diagram



Specifications

Interface	SATA III
Flash Type	MLC
P/E cycle	3,000
Capacity	16GB~128GB
Max. Channels	4
Sequential R/W (MB/sec, max.)	480/160
Max. Power Consumption	2W (5V x 400 mA)
Thermal Sensor	WT only
Extended DRAM buffer	-
H/W Write Protect	√
ATA Security	√
S.M.A.R.T.	√
Dimension (WxLxH)	35.5 X 30 X 10.8 mm
Environment	Vibration: 20G @7~2000Hz Shock: 1500G @ 0.5ms Storage Temperature: -55°C ~ +95°C MTBF: 3 million hours

Headquarters (Taiwan)

9F., No.100, Sec. 1, Xintai 5th Rd.,
Xizhi Dist., New Taipei City,
Taiwan (R.O.C.)
Tel: +886-2-26963000
Email: sales@innodisk.com

Branch Offices:

USA
usasales@innodisk.com
+1-510-770-9421

Europe
eusales@innodisk.com
+31-(0)40-282-1818

Japan
jpsales@innodisk.com
+81-45-594-7581

China
sales_cn@innodisk.com
+86-755-21673689

www.innodisk.com

© 2012 Innodisk Corporation.
All right reserved. Specifications
are subject to change without
prior notice.

Ordering Information

Operation Temp.	16GB	32GB	64GB	128GB
Standard Grade (0°C ~ +70°C)	DGSML- 16GD67SC1DC(F)	DGSML- 32GD67SC1DC(F)	DGSML- 64GD67SC1DC(F)	DGSML- A28D67SC1QC(F)
Industrial Grade (-40°C ~ +85°C)	DGSML- 16GD67SW1DC(F)	DGSML- 32GD67SW1DC(F)	DGSML- 64GD67SW1DC(F)	DGSML- A28D67SW1QC(F)

innodisk

www.innodisk.com