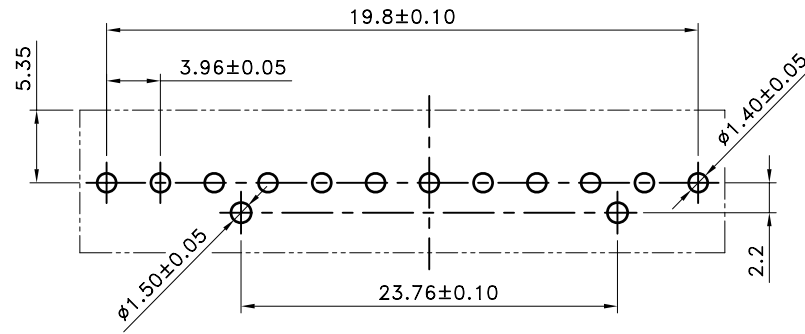
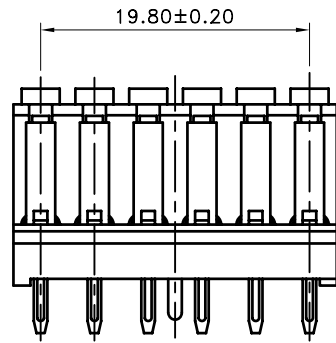
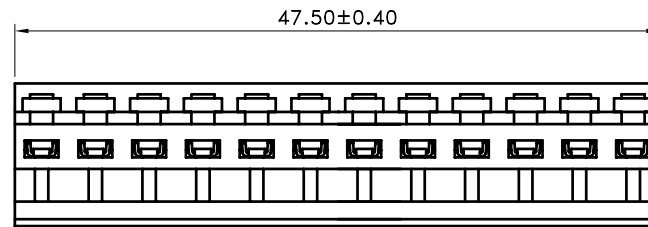
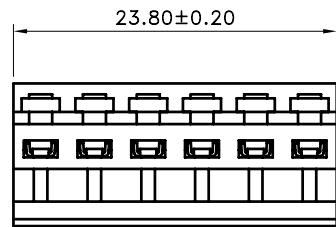


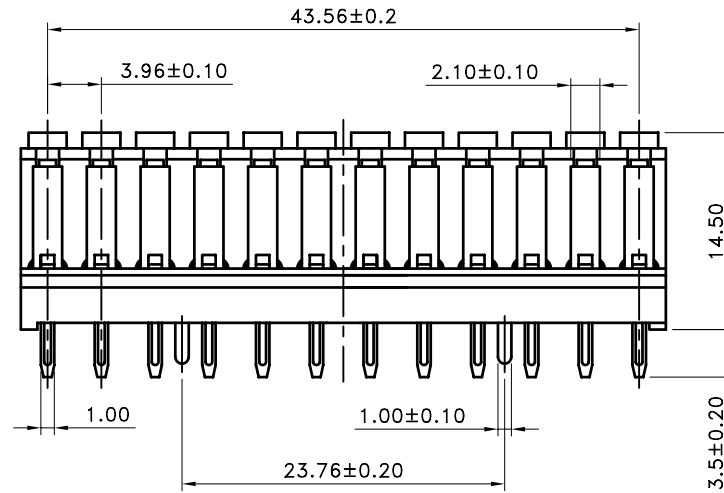
JS-1139-06
Recommended PCB Layout



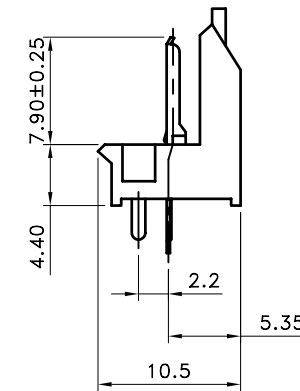
JS-1139-12
Recommended PCB Layout



JS-1139-06



JS-1139-12



■ SPECIFICATIONS

- Voltage Rating : 250 V AC/DC
- Current Rating : 4A AC/DC
- Withstanding Voltage : 1,500V AC/minute
- Insulation Resistance : 500MΩ min
- Temperature Range : - 40°C to + 85°C
- Contact Resistance : 10mΩ max

■ WAFER

- Part No. : JS-1139-XX
- Poles : 6, 12(With Peg)
- Material : Contact : Brass, Tin Plated
Base : Nylon 66 UL94V-2
- Q' ty : 1,000 pcs./Bag



喬訊電子工業股份有限公司
CHYAO SHIUNN
ELECTRONIC INDUSTRIAL LTD.

APPROVED BY	SCALE	UNIT	TOLERANCE	LTR	REVISION RECORD	DATE	LTR	REVISION RECORD	DATE
林宗		mm	.0 ±0.3	ECR	RoHS Compliant	07/01/04			
CHECKED BY	PROJ	VER NO.	.00 ±0.2	ECR	200901-011	09/01/15			
		a2	.000 ±0.1						
			ALL ±						
DRAWN BY	DATE	SIZE	ANGLE						
黃科源	2009/01/15	A4	0° ±						
			.0° ±						

PART NO JS-1139-XX

3.96mm Crimp Style Connectors Wafer(With Peg)

CUSTOMER

Conforms to The RoHS Instruction