

# NC7SB3157, FSA3157

## Low-Voltage SPDT Analog Switch or 2:1 Multiplexer / De-multiplexer Bus Switch

### Features


- Useful in Both Analog and Digital Applications
- Space-Saving, SC70 6-Lead Surface Mount Package
- Ultra-Small, MicroPak™ Leadless Package
- Low On Resistance: <math><10\Omega</math> on Typical at 3.3V  $V_{CC}$
- Broad  $V_{CC}$  Operating Range: 1.65V to 5.5V
- Rail-to-Rail Signal Handling
- Power-Down, High-Impedance Control Input
- Over-Voltage Tolerance of Control Input to 7.0V
- Break-Before-Make Enable Circuitry
- 250MHz, 3dB Bandwidth

### Description

The NC7SB3157 / FSA3157 is a high-performance, single-pole / double-throw (SPDT) analog switch or 2:1 multiplexer / de-multiplexer bus switch.

The device is fabricated with advanced sub-micron CMOS technology to achieve high-speed enable and disable times and low on resistance. The break-before-make select circuitry prevents disruption of signals on the B Port due to both switches temporarily being enabled during select pin switching. The device is specified to operate over the 1.65 to 5.5V  $V_{CC}$  operating range. The control input tolerates voltages up to 5.5V, independent of the  $V_{CC}$  operating range.

### Ordering Information

Part Number	Top Mark	 Eco Status	Package Description	Packing Method
NC7SB3157P6X	B7A	RoHS	6-Lead, SC70, EIAJ SC88, 1.25mm Wide Package	3000 Units on Tape and Reel
NC7SB3157L6X	BB	RoHS	6-Lead, MicroPak 1.0mm Wide Package	5000 Units on Tape and Reel
FSA3157P6X	B7A	RoHS	6-Lead, SC70, EIAJ SC88, 1.25mm Wide Package	3000 Units on Tape and Reel
FSA3157L6X	BB	RoHS	6-Lead, MicroPak 1.0mm Wide Package	5000 Units on Tape and Reel

 For Fairchild's definition of "green" Eco Status, please visit: [http://www.fairchildsemi.com/company/green/rohs\\_green.html](http://www.fairchildsemi.com/company/green/rohs_green.html).

MicroPak™ is a trademark of Fairchild Semiconductor Corporation.

### Logic Symbol

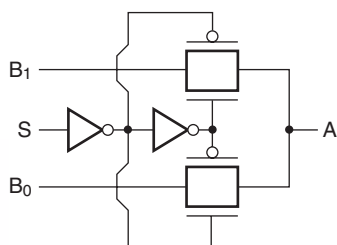
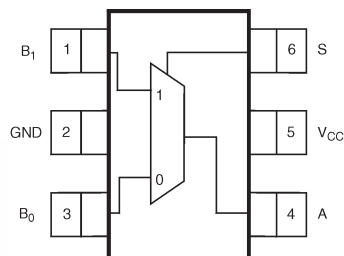


Figure 1. Logic Symbol

### Connection Diagrams



2. Pin Assignments SC70

### Analog Symbol

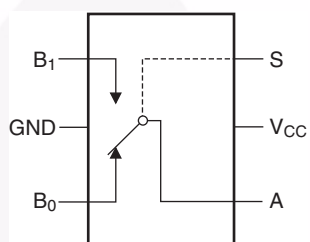


Figure 3. Analog Symbol

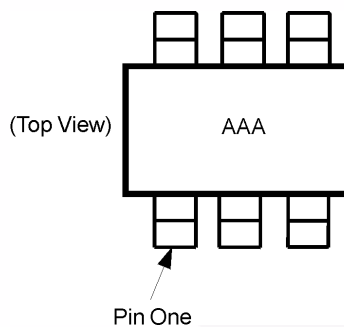


Figure 4. Pin One Orientation

### Function Table

Input (S)	Function
Logic Level Low	B <sub>0</sub> Connected to A
Logic Level High	B <sub>1</sub> Connected to A

*Note:*

Orientation of top mark determines pin one location. Read the top product code mark left to right and pin one is the lower left pin (see Figure 4).

### Pin Descriptions

Pin Names	Description
A, B <sub>0</sub> , B <sub>1</sub>	Data Ports
S	Control Input

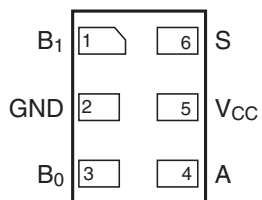


Figure 5. Pad Assignments for MicroPak™

## Absolute Maximum Ratings

Stresses exceeding the absolute maximum ratings may damage the device. The device may not function or be operable above the recommended operating conditions and stressing the parts to these levels is not recommended. In addition, extended exposure to stresses above the recommended operating conditions may affect device reliability. The absolute maximum ratings are stress ratings only.

Symbol	Parameter	Min.	Max.	Unit
$V_{CC}$	Supply Voltage	-0.5	+7.0	V
$V_S$	DC Switch Voltage <sup>(1)</sup>	-0.5	$V_{CC} + 0.5$	V
$V_{IN}$	DC Input Voltage <sup>(1)</sup>	-0.5	+7.0	V
$I_{IK}$	DC Input Diode Current at $V_{IN} < 0V$		-50	mA
$I_{OUT}$	DC Output Current		128	mA
$I_{CC}/I_{GND}$	DC $V_{CC}$ or Ground Current		±100	mA
$T_{STG}$	Storage Temperature Range	-65	+150	°C
$T_J$	Junction Temperature Under Bias		+150	°C
$T_L$	Junction Lead Temperature (Soldering, 10 seconds)		+260	°C
MSL	Moisture Sensitivity Level (JEDEC J-STD-020A)		1	Level
$P_D$	Power Dissipation at +85°C		180	mW
ESD	Human Body Model, JESD22-A114		4000	V

**Note:**

- The input and output negative voltage ratings may be exceeded if the input and output diode current ratings are observed.

## Recommended Operating Conditions

The Recommended Operating Conditions table defines the conditions for actual device operation. Recommended operating conditions are specified to ensure optimal performance to the datasheet specifications. Fairchild does not recommend exceeding them or designing to absolute maximum ratings.

Symbol	Parameter	Min.	Max.	Unit	
$V_{CC}$	Supply Voltage Operating	1.65	5.50	V	
$V_{IN}$	Control Input Voltage <sup>(2)</sup>	0	$V_{CC}$	V	
$V_{IN}$	Switch Input Voltage <sup>(2)</sup>	0	$V_{CC}$	V	
$V_{OUT}$	Output Voltage <sup>(2)</sup>	0	$V_{CC}$	V	
$T_A$	Operating Temperature	-40	+85	°C	
$t_r, t_f$	Input Rise and Fall Time	Control Input $V_{CC} = 2.3V-3.6V$	0	10	ns/V
		Control Input $V_{CC} = 4.5V-5.5V$	0	5	ns/V
$\theta_{JA}$	Thermal Resistance, SC70		270	°C/W	

**Note:**

- Control input must be held HIGH or LOW; it must not float.

## DC Electrical Characteristics

Symbol	Parameter	Conditions	V <sub>CC</sub> (V)	T <sub>A</sub> = +25°C			T <sub>A</sub> = -40°C to +85°C		Units
				Min.	Typ.	Max.	Min.	Max.	
V <sub>IH</sub>	High Level Input Voltage		1.65 – 1.95	0.75 V <sub>CC</sub>			0.75 V <sub>CC</sub>		V
			2.3 – 5.5	0.7 V <sub>CC</sub>			0.7 V <sub>CC</sub>		
V <sub>IL</sub>	Low Level Input Voltage		1.65 – 1.95			0.25 V <sub>CC</sub>		0.25 V <sub>CC</sub>	V
			2.3 – 5.5			0.3 V <sub>CC</sub>		0.3 V <sub>CC</sub>	
I <sub>IN</sub>	Input Leakage Current	0 ≤ V <sub>IN</sub> ≤ 5.5V	0 – 5.5		±0.05	±0.1		±1	μA
I <sub>OFF</sub>	Off State Leakage Current	0 ≤ A, B ≤ V <sub>CC</sub>	1.65 – 5.5		±0.05	±0.1		±1	μA
R <sub>ON</sub>	Switch On Resistance <sup>(3)</sup>	V <sub>IN</sub> = 0V, I <sub>O</sub> = 30mA	4.5		3.0	7.0		7.0	Ω
		V <sub>IN</sub> = 2.4V, I <sub>O</sub> = -30mA			5.0	12.0		12.0	
		V <sub>IN</sub> = 4.5V, I <sub>O</sub> = -30mA		7.0	15.0		15.0		
		V <sub>IN</sub> = 0V, I <sub>O</sub> = 24mA	3.0		4.0	9.0		9.0	
		V <sub>IN</sub> = 3V, I <sub>O</sub> = -24mA			10.0	20.0		20.0	
		V <sub>IN</sub> = 0V, I <sub>O</sub> = 8mA	2.3		5.0	12.0		12.0	
		V <sub>IN</sub> = 2.3V, I <sub>O</sub> = -8mA			13.0	30.0		30.0	
		V <sub>IN</sub> = 0V, I <sub>O</sub> = 4mA	1.65		6.5	20.0		20.0	
V <sub>IN</sub> = 1.65V, I <sub>O</sub> = -4mA		17.0		50.0		50.0			
I <sub>CC</sub>	Quiescent Supply Current; All Channels On or Off	V <sub>IN</sub> = V <sub>CC</sub> or GND I <sub>OUT</sub> = 0	5.5			1		10	μA
	Analog Signal Range		V <sub>CC</sub>	0		V <sub>CC</sub>	0	V <sub>CC</sub>	V
R <sub>RANGE</sub>	On Resistance Over Signal Range <sup>(3, 7)</sup>	I <sub>A</sub> = -30mA, 0 ≤ V <sub>Bn</sub> ≤ V <sub>CC</sub>	4.5					25.0	Ω
		I <sub>A</sub> = -24mA, 0 ≤ V <sub>Bn</sub> ≤ V <sub>CC</sub>	3.0				50.0		
		I <sub>A</sub> = -8mA, 0 ≤ V <sub>Bn</sub> ≤ V <sub>CC</sub>	2.3				100		
		I <sub>A</sub> = -4mA, 0 ≤ V <sub>Bn</sub> ≤ V <sub>CC</sub>	1.65				300		
ΔR <sub>ON</sub>	On Resistance Match Between-Channels <sup>(3, 4, 5)</sup>	I <sub>A</sub> = -30mA, V <sub>Bn</sub> = 3.15	4.5		0.15				Ω
		I <sub>A</sub> = -24mA, V <sub>Bn</sub> = 2.1	3.0		0.2				
		I <sub>A</sub> = -8mA, V <sub>Bn</sub> = 1.6	2.3		0.5				
		I <sub>A</sub> = -4mA, V <sub>Bn</sub> = 1.15	1.65		0.50				
R <sub>flat</sub>	On Resistance Flatness <sup>(3, 4, 6)</sup>	I <sub>A</sub> = -30mA, 0 ≤ V <sub>Bn</sub> ≤ V <sub>CC</sub>	5.0		6.0				Ω
		I <sub>A</sub> = -24mA, 0 ≤ V <sub>Bn</sub> ≤ V <sub>CC</sub>	3.3		12.0				
		I <sub>A</sub> = -8mA, 0 ≤ V <sub>Bn</sub> ≤ V <sub>CC</sub>	2.5		28.0				
		I <sub>A</sub> = -4mA, 0 ≤ V <sub>Bn</sub> ≤ V <sub>CC</sub>	1.8		125				

### Notes:

- Measured by the voltage drop between A and B pins at the indicated current through the switch. On resistance is determined by the lower of the voltages on the two (A or B Ports).
- Parameter is characterized, but not tested in production.
- ΔR<sub>ON</sub> = R<sub>ON</sub> max – R<sub>ON</sub> minimum measured at identical V<sub>CC</sub>, temperature, and voltage levels.
- Flatness is defined as the difference between the maximum and minimum value of on resistance over the specified range of conditions.
- Guaranteed by design.

## AC Electrical Characteristics

Symbol	Parameter	Conditions	V <sub>CC</sub> (V)	T <sub>A</sub> = +25°C			T <sub>A</sub> = -40°C to +85°C		Units	Figure Number
				Min.	Typ.	Max.	Min.	Max.		
t <sub>PHL</sub> , t <sub>PLH</sub>	Propagation Delay Bus-to-Bus <sup>(8)</sup>	V <sub>I</sub> = OPEN	1.65 – 1.95			3.5		3.5	ns	Figure 12 Figure 13
			2.3 – 2.7			1.2		1.2		
			3.0 – 3.6			0.8		0.8		
			4.5 – 5.5			0.3		0.3		
t <sub>PZL</sub> , t <sub>PZH</sub>	Output Enable Time Turn-On Time (A to B <sub>n</sub> )	V <sub>I</sub> = 2 x V <sub>CC</sub> for t <sub>PZL</sub> V <sub>I</sub> = 0V for t <sub>PZH</sub>	1.65 – 1.95	7.0		23.0	7.0	24.0	ns	Figure 12 Figure 13
			2.3 – 2.7	3.5		13.0	3.5	14.0		
			3.0 – 3.6	2.5		6.9	2.5	7.6		
			4.5 – 5.5	1.7		5.2	1.7	5.7		
t <sub>PLZ</sub> , t <sub>PHZ</sub>	Output Disable Time Turn-Off Time (A Port to B Port)	V <sub>I</sub> = 2 x V <sub>CC</sub> for t <sub>PLZ</sub> V <sub>I</sub> = 0V for t <sub>PHZ</sub>	1.65 – 1.95	3.0		12.5	3.0	13.0	ns	Figure 12 Figure 13
			2.3 – 2.7	2.0		7.0	2.0	7.5		
			3.0 – 3.6	1.5		5.0	1.5	5.3		
			4.5 – 5.5	0.8		3.5	0.8	3.8		
t <sub>B-M</sub>	Break-Before-Make Time <sup>(9)</sup>		1.65 – 1.95	0.5			0.5		ns	Figure 14
			2.3 – 2.7	0.5			0.5			
			3.0 – 3.6	0.5			0.5			
			4.5 – 5.5	0.5			0.5			
Q	Charge Injection <sup>(9)</sup>	C <sub>L</sub> = 0.1nF, V <sub>GEN</sub> = 0V,	5.0		7.0			pC	Figure 15	
		R <sub>GEN</sub> = 0Ω	3.3		3.0					
OIRR	Off Isolation <sup>(10)</sup>	R <sub>L</sub> = 50Ω, f = 10MHz	1.65 – 5.5		-57.0			dB	Figure 16	
Xtalk	Crosstalk	R <sub>L</sub> = 50Ω, f = 10MHz	1.65 – 5.5		-54.0			dB	Figure 17	
BW	-3dB Bandwidth	R <sub>L</sub> = 50Ω	1.65 – 5.5		250			MHz	Figure 20	
THD	Total Harmonic Distortion <sup>(9)</sup>	R <sub>L</sub> = 600Ω, 0.5 V <sub>PP</sub> , f = 600 Hz to 20 KHz	5.0		.011			%		

### Notes:

8. This parameter is guaranteed by design but not tested. The bus switch contributes no propagation delay other than the RC delay of the on resistance of the switch and the 50pF load capacitance, when driven by an ideal voltage source (zero output impedance).
9. Guaranteed by design.
10. Off Isolation = 20 log<sub>10</sub> [V<sub>A</sub> / V<sub>Bn</sub>].

## Capacitance

T<sub>A</sub> = +25°C, f = 1MHz. Capacitance is characterized, but not tested in production.

Symbol	Parameter	Conditions	Typ.	Max.	Units	Figure Number
C <sub>IN</sub>	Control Pin Input Capacitance	V <sub>CC</sub> = 0V	2.3		pF	
C <sub>IO-B</sub>	B Port Off Capacitance	V <sub>CC</sub> = 5.0V	6.5		pF	Figure 18
C <sub>IOA-ON</sub>	A Port Capacitance When Switch Is Enabled	V <sub>CC</sub> = 5.0V	18.5		pF	Figure 19

## Typical Characteristics

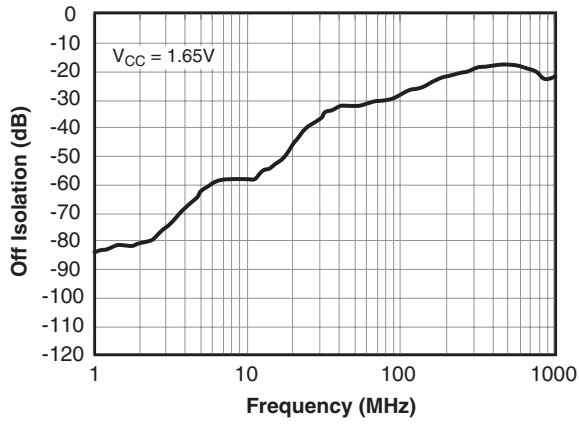


Figure 6. Off Isolation,  $V_{CC} = 1.65V$

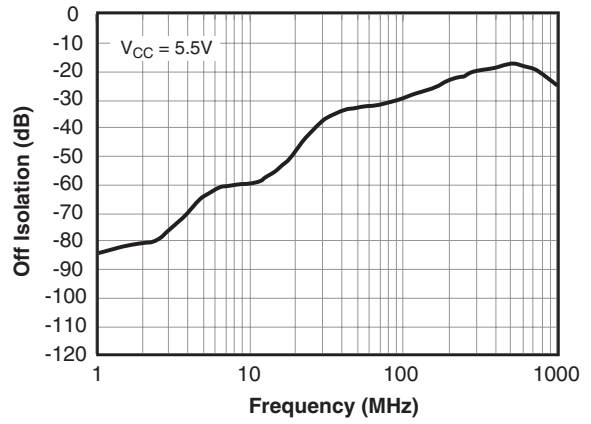


Figure 7. Off Isolation,  $V_{CC} = 5.5V$

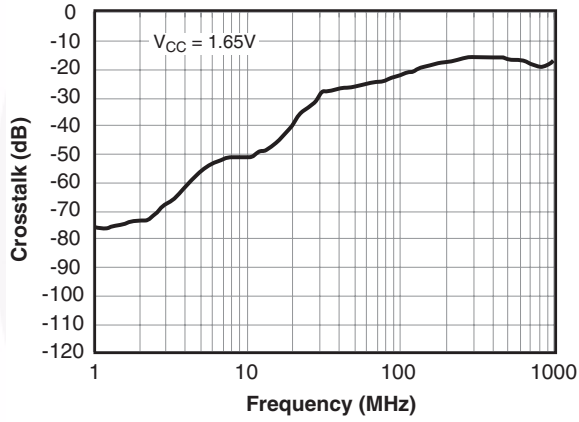


Figure 8. Crosstalk,  $V_{CC} = 1.65V$

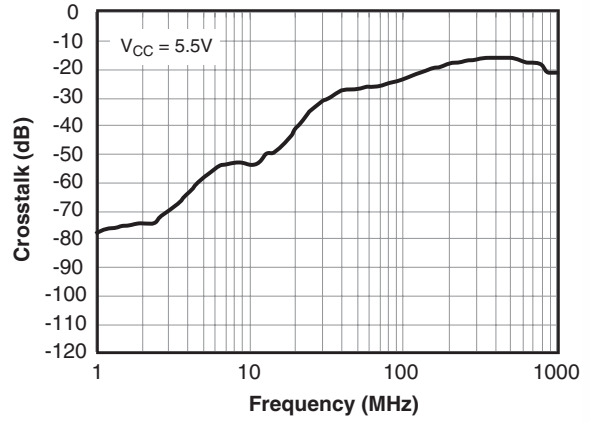


Figure 9. Crosstalk,  $V_{CC} = 5.5V$

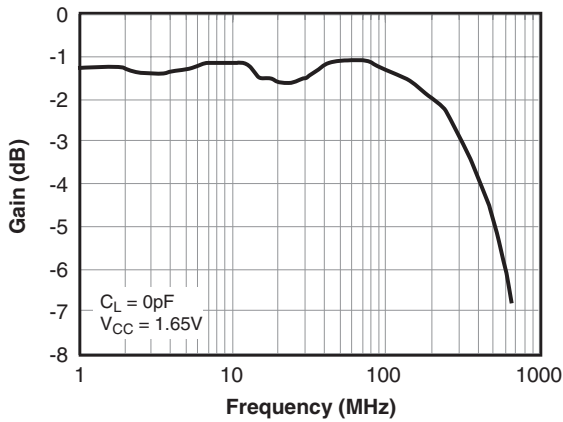


Figure 10. Bandwidth,  $V_{CC} = 1.65V$

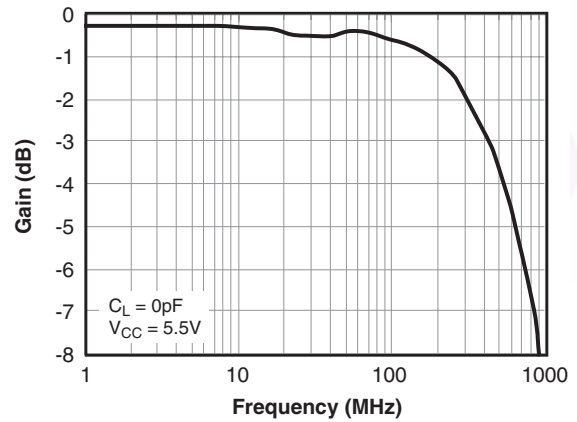
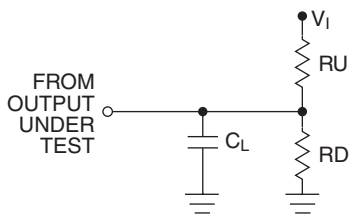


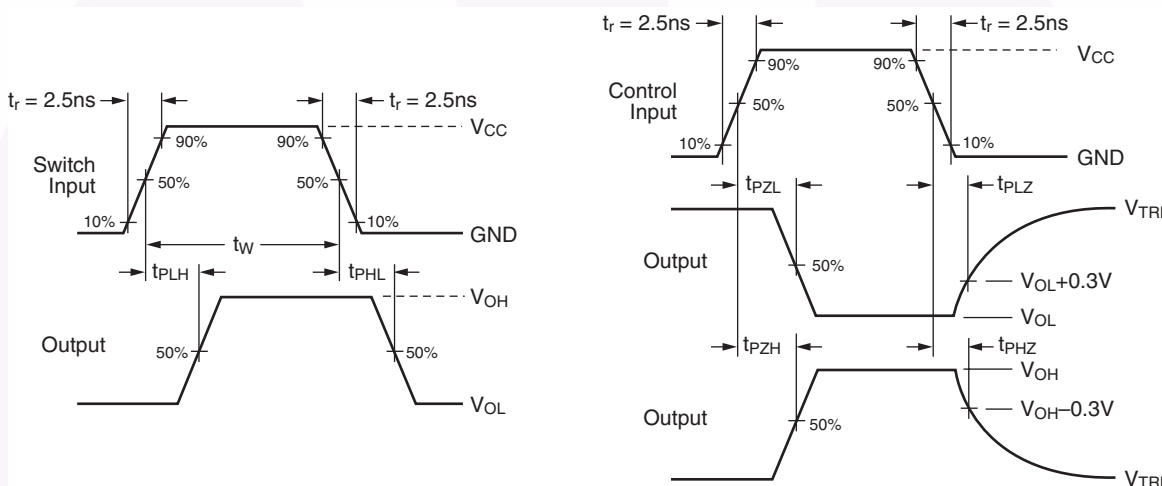
Figure 11. Bandwidth,  $V_{CC} = 5.5V$

## AC Loading and Waveforms

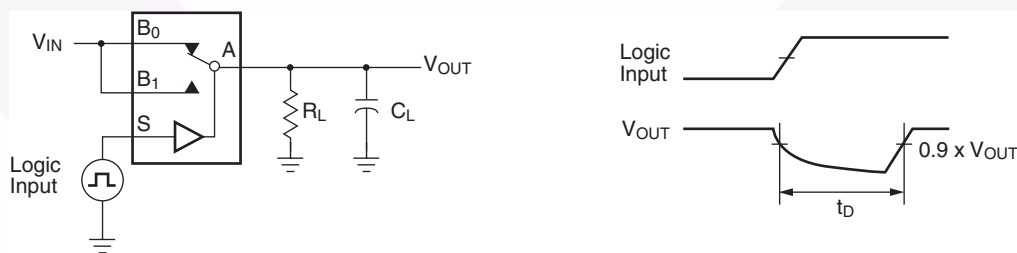


**Notes:**  
 Input driven by 50Ω source terminated in 50Ω  
 $C_L$  includes load and stray capacitance  
 Input PRR = 1.0 MHz;  $t_W$  = 500 ns

**Figure 12. AC Test Circuit**

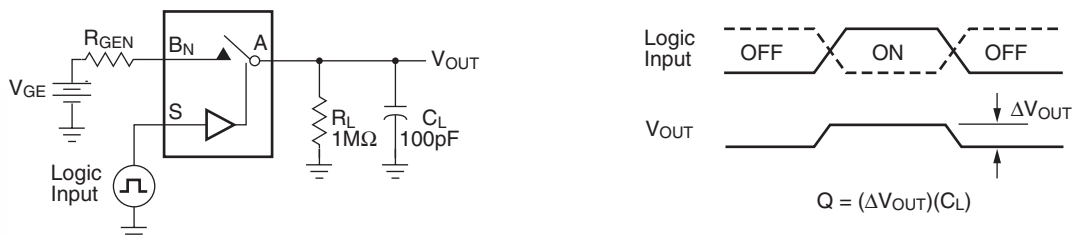


**Figure 13. AC Waveforms**

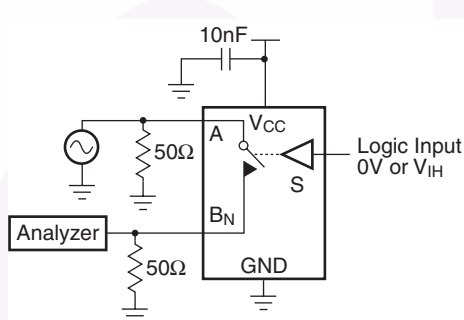


**Figure 14. Break-Before-Make Interval Timing**

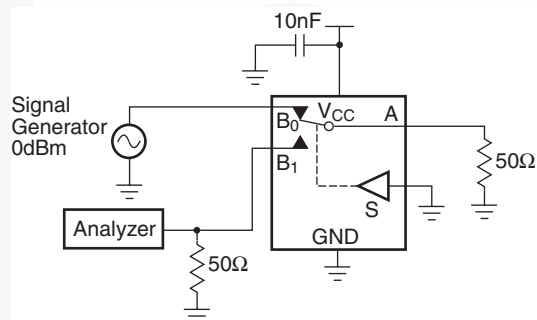
### AC Loading and Waveforms (continued)



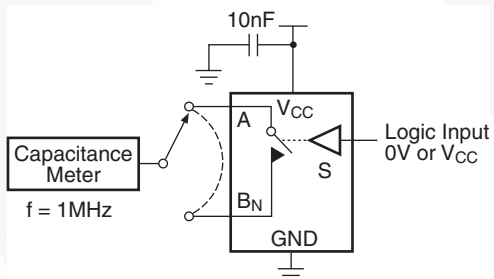
**Figure 15. Charge Injection Test**



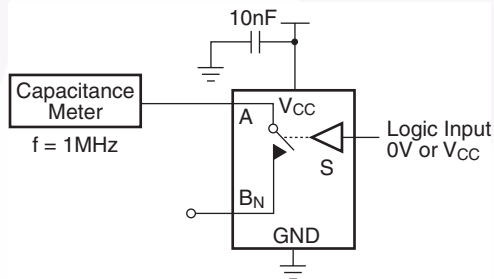
**Figure 16. Off Isolation**



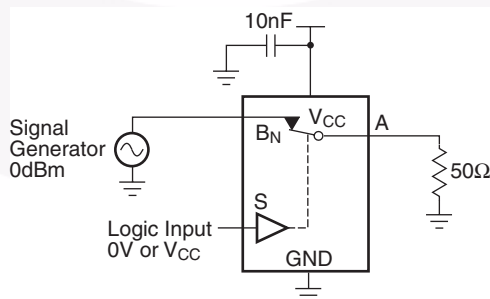
**Figure 17. Crosstalk**



**Figure 18. Channel Off Capacitance**



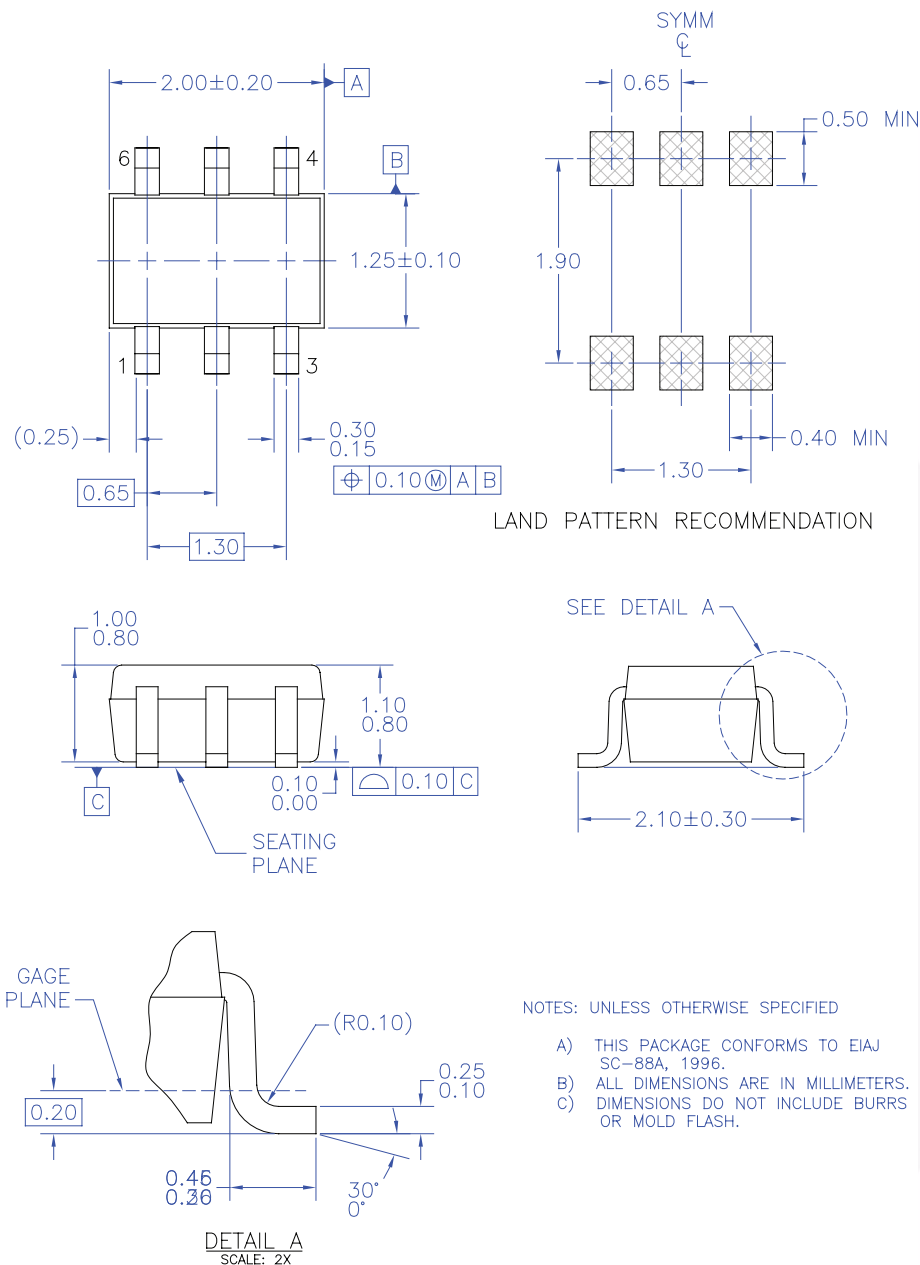
**Figure 19. Channel On Capacitance**



**Figure 20. Bandwidth**



## Physical Dimensions



MAA06AREV5

**Figure 21. 6-Lead, SC70, EIAJ SC88, 1.25mm Wide Package**

**Note:** [click here for tape and reel specifications, available at:](#)

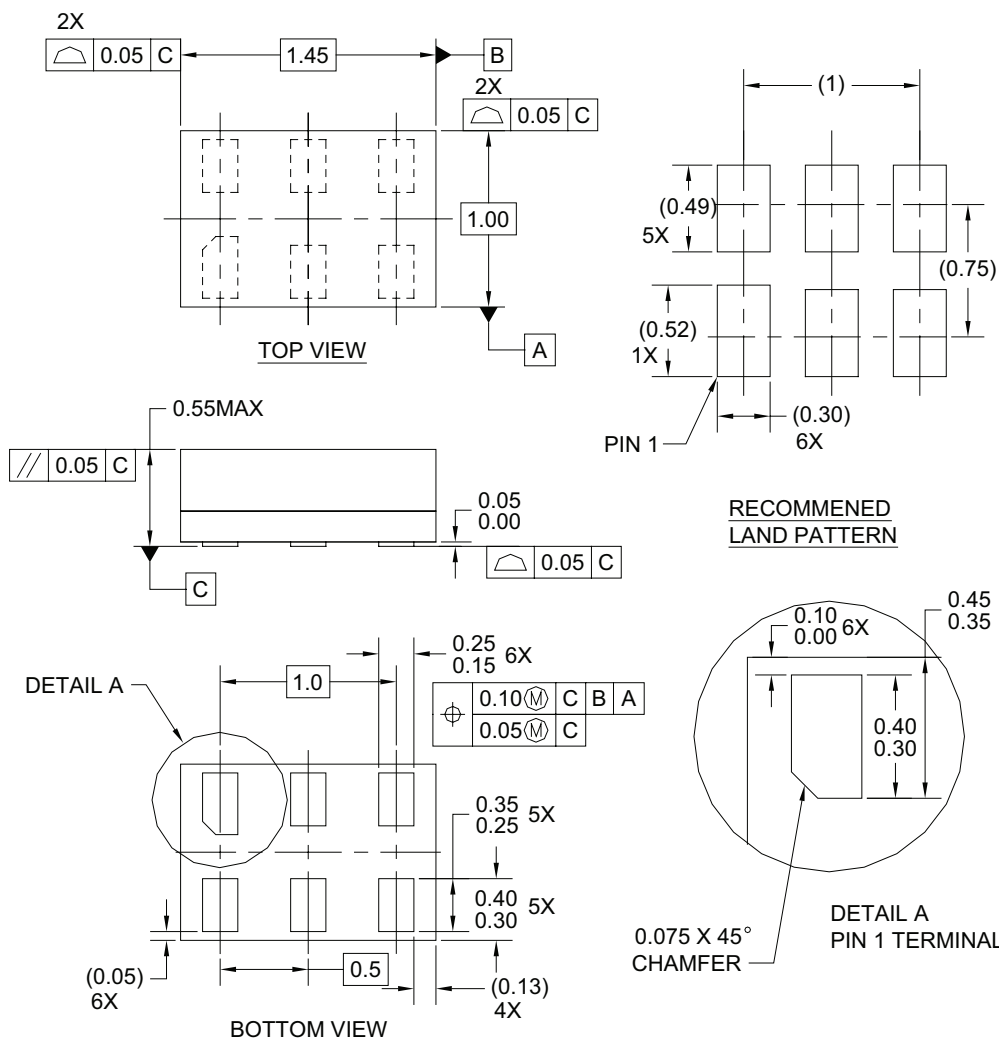
[http://www.fairchildsemi.com/products/analog/pdf/sc70-6\\_tr.pdf](http://www.fairchildsemi.com/products/analog/pdf/sc70-6_tr.pdf)

Package drawings are provided as a service to customers considering Fairchild components. Drawings may change in any manner without notice. Please note the revision and/or date on the drawing and contact a Fairchild Semiconductor representative to verify or obtain the most recent revision. Package specifications do not expand the terms of Fairchild's worldwide terms and conditions, specifically the warranty therein, which covers Fairchild products.

Always visit Fairchild Semiconductor's online packaging area for the most recent package drawings:

<http://www.fairchildsemi.com/packaging/>

## Physical Dimensions



**Notes:**

1. CONFORMS TO JEDEC STANDARD M0-252 VARIATION UAAD
2. DIMENSIONS ARE IN MILLIMETERS
3. DRAWING CONFORMS TO ASME Y14.5M-1994

MAC06AREVC

**6-Lead, MicroPak™ 1.0mm Wide Package**

**Note: [click here for tape and reel specifications, available at:](#)**

**[http://www.fairchildsemi.com/products/logic/pdf/micropak\\_tr.pdf](http://www.fairchildsemi.com/products/logic/pdf/micropak_tr.pdf)**

Package drawings are provided as a service to customers considering Fairchild components. Drawings may change in any manner without notice. Please note the revision and/or date on the drawing and contact a Fairchild Semiconductor representative to verify or obtain the most recent revision. Package specifications do not expand the terms of Fairchild's worldwide terms and conditions, specifically the warranty therein, which covers Fairchild products.

Always visit Fairchild Semiconductor's online packaging area for the most recent package drawings:

<http://www.fairchildsemi.com/packaging/>



**TRADEMARKS**

The following includes registered and unregistered trademarks and service marks, owned by Fairchild Semiconductor and/or its global subsidiaries, and is not intended to be an exhaustive list of all such trademarks.

- |                          |  |   |   |
|--------------------------|--|---|---|
| Build it Now™            | FRFET®   | Programmable Active Droop™  | <p>TinyBoost™<br/>TinyBuck™<br/>TinyLogic®<br/>TINYOPTO™<br/>TinyPower™<br/>TinyPWM™<br/>TinyWire™<br/>TriFault Detect™<br/>TRUECURRENT™<br/>µSerDes™<br/> µSerDes™<br/>UHC®<br/>Ultra FRFET™<br/>UniFET™<br/>VCX™<br/>VisualMax™<br/>XS™</p> |
| CorePLUS™                | Global Power Resource <sup>SM</sup>                          | QFET®   |   |
| CorePOWER™               | Green FPST™  | QS™   |   |
| CROSSVOLT™               | Green FPST™ e-Series™  | Quiet Series™   |   |
| CTL™                     | GTO™   | RapidConfigure™   |   |
| Current Transfer Logic™  | IntelliMAX™  | <p>Saving our world, 1mW/W/kW at a time™<br/>SmartMax™<br/>SMART START™<br/>SPM®<br/>STEALTH™<br/>SuperFET™<br/>SuperSOT™-3<br/>SuperSOT™-6<br/>SuperSOT™-8<br/>SupreMOS™<br/>SyncFET™<br/> SYSTEM GENERAL<br/>The Power Franchise®</p> |   |
| EcoSPARK®                | ISOPLANAR™   |   |   |
| EfficientMax™            | MegaBuck™  |   |   |
| EZSWITCH™                | MICROCOUPLER™  |   |   |
| ™                        | MicroFET™  |   |   |
| ™                        | MicroPak™  |   |   |
| Fairchild®               | MillerDrive™   |   |   |
| Fairchild Semiconductor® | MotionMax™   |   |   |
| FACT Quiet Series™       | Motion-SPM™  |   |   |
| FACT®                    | OPTOLOGIC®   |   |   |
| FAST®                    | OPTOPLANAR®  |   |   |
| FastvCore™               | <p>PDP SPM™<br/>Power-SPM™<br/>PowerTrench®<br/>PowerXS™</p> |   |   |
| FlashWriter®             |  |   |   |
| FPST™                    |  |   |   |
| F-PFST™                  |  |   |   |

\* Trademarks of System General Corporation, used under license by Fairchild Semiconductor.

**DISCLAIMER**

FAIRCHILD SEMICONDUCTOR RESERVES THE RIGHT TO MAKE CHANGES WITHOUT FURTHER NOTICE TO ANY PRODUCTS HEREIN TO IMPROVE RELIABILITY, FUNCTION, OR DESIGN. FAIRCHILD DOES NOT ASSUME ANY LIABILITY ARISING OUT OF THE APPLICATION OR USE OF ANY PRODUCT OR CIRCUIT DESCRIBED HEREIN; NEITHER DOES IT CONVEY ANY LICENSE UNDER ITS PATENT RIGHTS, NOR THE RIGHTS OF OTHERS. THESE SPECIFICATIONS DO NOT EXPAND THE TERMS OF FAIRCHILD'S WORLDWIDE TERMS AND CONDITIONS, SPECIFICALLY THE WARRANTY THEREIN, WHICH COVERS THESE PRODUCTS.

**LIFE SUPPORT POLICY**

FAIRCHILD'S PRODUCTS ARE NOT AUTHORIZED FOR USE AS CRITICAL COMPONENTS IN LIFE SUPPORT DEVICES OR SYSTEMS WITHOUT THE EXPRESS WRITTEN APPROVAL OF FAIRCHILD SEMICONDUCTOR CORPORATION.

As used herein:

1. Life support devices or systems are devices or systems which, (a) are intended for surgical implant into the body or (b) support or sustain life, and (c) whose failure to perform when properly used in accordance with instructions for use provided in the labeling, can be reasonably expected to result in a significant injury of the user.
2. A critical component in any component of a life support, device, or system whose failure to perform can be reasonably expected to cause the failure of the life support device or system, or to affect its safety or effectiveness.

**ANTI-COUNTERFEITING POLICY**

Fairchild Semiconductor Corporation's Anti-Counterfeiting Policy. Fairchild's Anti-Counterfeiting Policy is also stated on our external website, [www.fairchildsemi.com](http://www.fairchildsemi.com), under Sales Support.

Counterfeiting of semiconductor parts is a growing problem in the industry. All manufacturers of semiconductor products are experiencing counterfeiting of their parts. Customers who inadvertently purchase counterfeit parts experience many problems such as loss of brand reputation, substandard performance, failed applications, and increased cost of production and manufacturing delays. Fairchild is taking strong measures to protect ourselves and our customers from the proliferation of counterfeit parts. Fairchild strongly encourages customers to purchase Fairchild parts either directly from Fairchild or from Authorized Fairchild Distributors who are listed by country on our web page cited above. Products customers buy either from Fairchild directly or from Authorized Fairchild Distributors are genuine parts, have full traceability, meet Fairchild's quality standards for handling and storage and provide access to Fairchild's full range of up-to-date technical and product information. Fairchild and our Authorized Distributors will stand behind all warranties and will appropriately address any warranty issues that may arise. Fairchild will not provide any warranty coverage or other assistance for parts bought from Unauthorized Sources. Fairchild is committed to combat this global problem and encourage our customers to do their part in stopping this practice by buying direct or from authorized distributors.

**PRODUCT STATUS DEFINITIONS**

**Definition of Terms**

Datasheet Identification	Product Status	Definition
Advance Information	Formative / In Design	Datasheet contains the design specifications for product development. Specifications may change in any manner without notice.
Preliminary	First Production	Datasheet contains preliminary data; supplementary data will be published at a later date. Fairchild Semiconductor reserves the right to make changes at any time without notice to improve design.
No Identification Needed	Full Production	Datasheet contains final specifications. Fairchild Semiconductor reserves the right to make changes at any time without notice to improve the design.
Obsolete	Not In Production	Datasheet contains specifications on a product that is discontinued by Fairchild Semiconductor. The datasheet is for reference information only.

Rev. 139