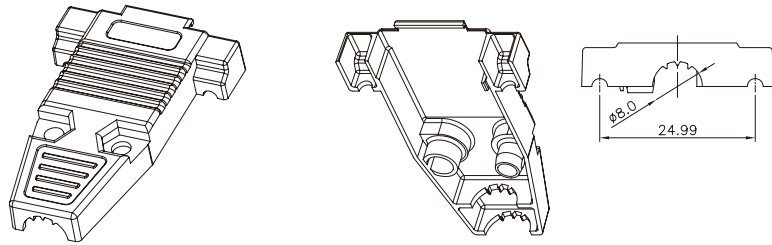
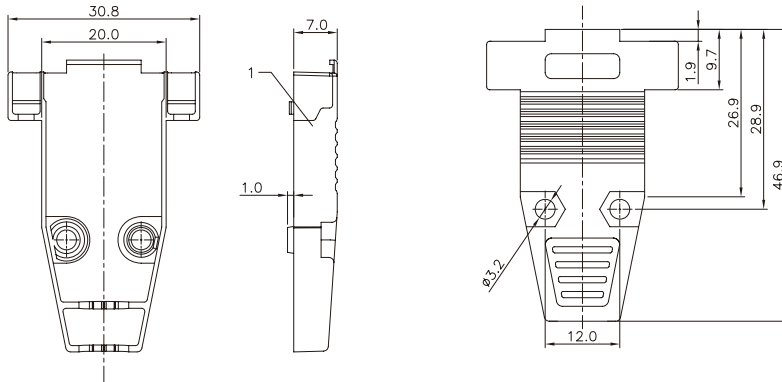


1 2 3 4 5 6 7 8

A
B
C
D
E
F
G
H



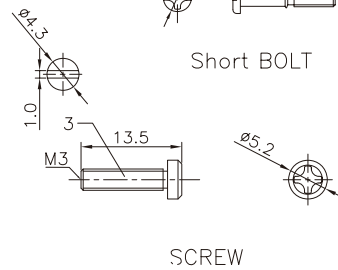
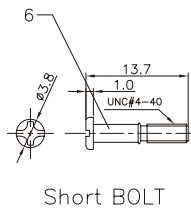
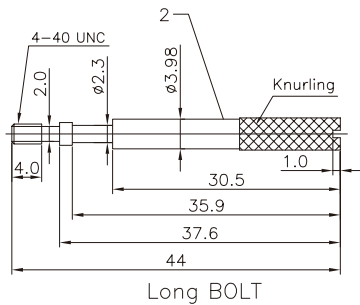
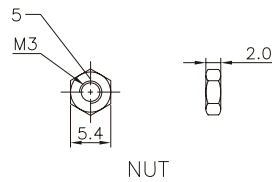
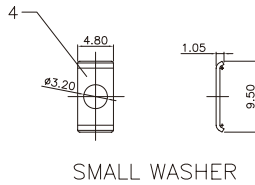
BOM LIST			
ITEM	PART NAME	Q'ty	NOTES
1	METAL HOOD	2	
2	LONG BOLT	2	
3	SCREW	2	
4	SMALL WASHER	2	
5	NUT	2	
6	SHORT BOLT	2	



HOW TO ORDER

ULO-DBH385 - 09 X X X

- Bolt type
L: Long
S: Short
- Packing type
1: Mix packing
2: Separation packing
- Cover Material
M: Metal(Znic alloy)
- Positions
09: 9pin



UNLESS TOLERANCES			ULO ELECTRONICS CO., LTD		
X.X ± 0.38	X.X* ± 3'				
X.XX ± 0.25	X.XX* ± 1'		ULO-DBH385-9P		
X.XXX ± 0.05	X.XXX* ± 0.5'				
UNIT mm	SHEET 1/1	REV A0	PART NO.		
DRAW CHENGANG	CHECK	APPROVE			
2012-10-25					

1 2 3 4 5 6 7 8