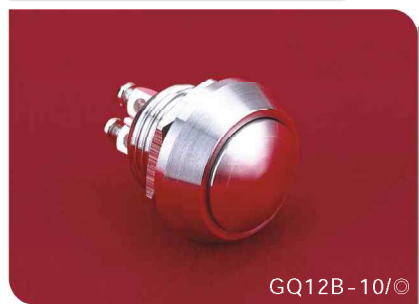
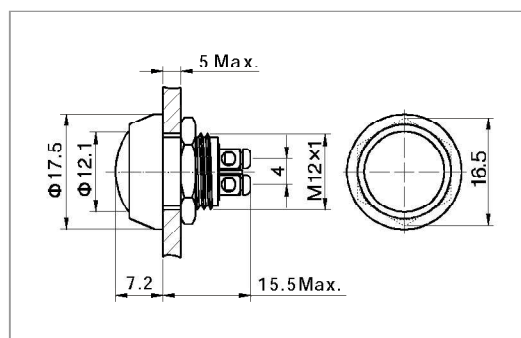


Check the detailed part number from P2

Anti-vandal push button



- ⊙ Φ 12mm Diameter
- ⊙ Switch Rating: 2A/36VDC
- ⊙ Contact Configuration: 1NO
- ⊙ Operation Type: Momentary
- ⊙ The Crust Material: Stainless Steel/
Nickel Plated Brass
- ⊙ IP Degree: IP65,IK08



Specification	GQ12B-10/⊙		
Terminal Type	Screw Terminal		
Switching	X(double-break slow-motion contact)		
Max. Switch Rating	2A/36VDC		
Contact Resistance	$\leq 50\text{m}\Omega$		
Insulation Resistance	$\geq 1000\text{M}\Omega$		
Dielectric Intensity	2000VAC		
Operating Temp	-20°C ~ +55°C		
Mechanical Life	1,000,000 cycles		
Electrical Life	200,000 cycles		
Panel Thickness	1 ~ 5mm		
Torque	5 ~ 14Nm		
Operation Pressure	About 5N		
Operation Travel	About 2.5mm		
IP Degree	IP65,IK08		
Material	Contact	Sliver Alloy	
	Button	Stainless Steel/Nickel Plated Brass	
	Body	Stainless Steel/Nickel Plated Brass	
	Base	PBT	
	RoHS	Made to order	
Head Color	—		