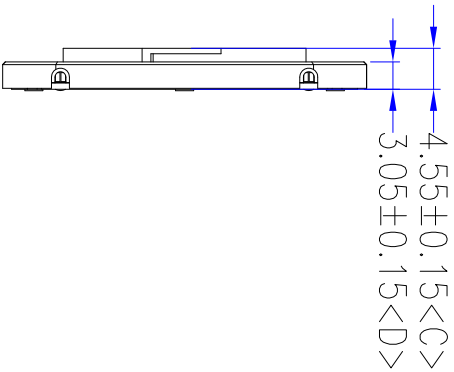
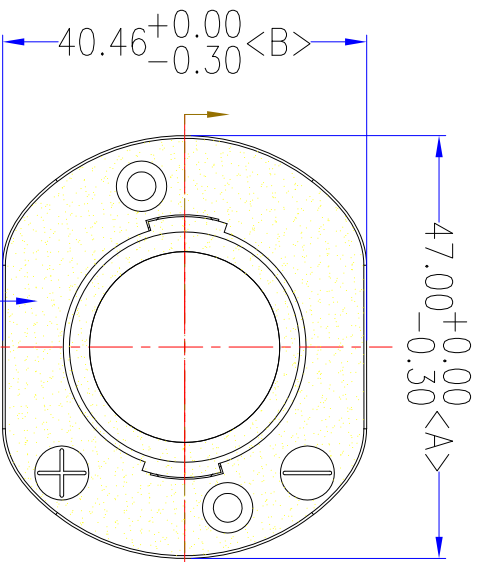
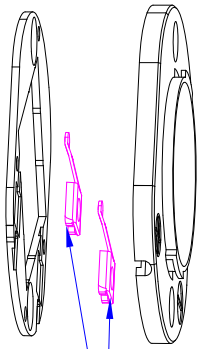


DRAW	REV	DATE	DESCRIPTION
	△		上盖增加晒纹



阴影面晒纹

热熔点



弹片*2

A--A

GENERAL TOLERANCES (UNLESS STATED)		Project NO.	
LINEAR	ANGULAR	Expect mark	
X +/-0.25	X +/-1°	TITLE	LL38A00SUIB2-M2
X X +/-0.20	X. X +/-0.5°	APPROVED	
X.XX +/-0.10	X.XX +/-0.1°	CHECK	
		DRAWING	林进健

上盖	下盖	弹片	成品
LL38A00SUIB2	LL38A00SUIB2	LDK02-00-001	LL38A00SUIB2-M2
UNIT		DATE	2014/06/04
MATERIAL		REV	1.2
SCALE		FIT	Third Angle Projection

 **LedLink Optics, Inc.**
Imaging Leds for The Real World