

*Change new drawing frame in Blue Color since 2009/07/01 , to comply with Company CIS Policy.

Revisions

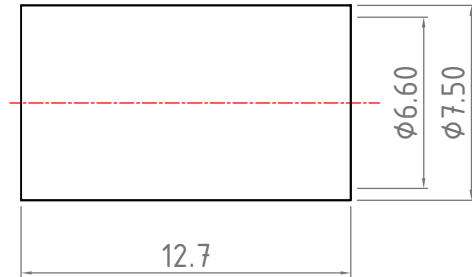
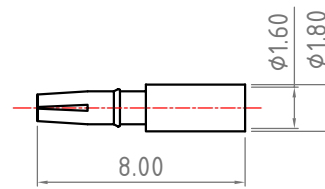
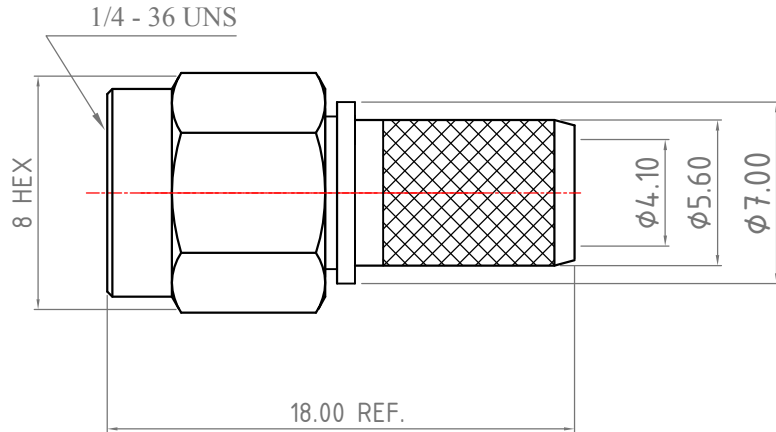
Note: Revisions B; B-1; B-2..... On Behalf of Official Drawing.
Revisions 1; 2; 3; 4..... On Behalf of Experiment's Drawing.

ISS	Symbol	Description	Date
B	⚠	CHE for New Drawing Frame & New PN System	2006/07/10

Outline Drawing

Notes :

- Any Electrical, Mechanical or Environmental Test Per MIL-C-39012 Should be Spotlighted, as We May Not Have All Testing Equipment to Cover All of It.
- Single Crimp: Recommended Dimensions Provided for Ferrule.
Dual Crimp: Recommended Dimensions Provided for Ferrule And Center Pin.
Please Advise Single/Dual in Advance to Avoid Any Inconvenience.
- All Metal Materials Are in Compliance with RoHS 2 Directive 2011/65/EU Annex III Section 6 Paragraph.
- Recommended Crimped Hand Tool : for Ferrule P/N - **HT-801G**



Electrical :

Impedance : 50 ohm
 Frequency Range : 0~12.4 GHz .
 Voltage Rating : 500 V rms (depending on cable)
 Insulator Resistance : $\geq 5 \text{ G}\Omega$
 Dielectric Withstanding Voltage : 1000 V rms .
 Contact Resistance : Center Contact $\leq 3 \text{ m}\Omega$.
 Outer Contact $\leq 2.5 \text{ m}\Omega$.
 VSWR : $\leq 1.2 + .03f(\text{GHz})$

Mechanical :

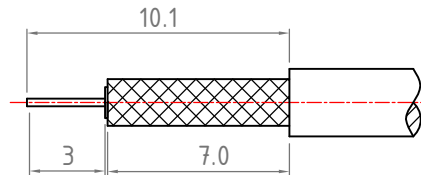
Mating : 1/4-36 UNS Screw-on Coupling.
 Recommended Mating Torque : 7.1-9.7 lbs
 Coupling Nut Retention Force : $\geq 60.7 \text{ lbs}$
 Cable Retention Force : $\geq 28.7 \text{ lbs}$

Environmental :

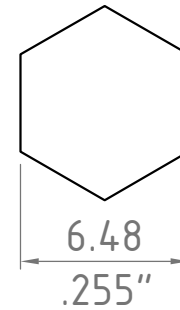
Temperature Range : -65°C to 165°C
 Corrosion(Salt Spray) : MIL-STD-202, Method 101, Cond. B
 Thermal Shock : MIL-STD-202, Method 107, Cond. B
 Mechanical : MIL-STD-202, Method 213, Cond. I
 Vibration : MIL-STD-202, Method 204, Cond. D

Finish : [Unit of Plating Thickness Is in Micro Inch (μ)]

- Nickel Plating Thickness : 80μ "
- Gold Plating Thickness : 2μ " MAX.



Recommended Cable Stripping Dimensions



Recommended Crimping Dimensions for Ferrule

ITEM	Description	Material	Finish	Part Number	QTY
5	Ferrule	Brass	Finish 1/2		
4	Pin	P. Bronze	Finish 1/2		
3	Insulator	PTFE	None		
2	Body	Brass	Finish 1/2		
1	Shell	Brass	Finish 1/2		

Scale	Abbr.	Date	Rev.
NTS	ST	2014/06/12	B
Tolerances :		Proprietary Note	
.X ± 0.2		This document contains information proprietary to S-Conn, which is either copyrighted, or patent applied for, and / or protected by trade secret laws.	
.XX ± 0.1		This document or parts thereof, may not be used, disclosed or reproduced in any form by any method, or for any purpose, without the written permission of S-Conn, Taiwan	
.XXX ± 0.05			
Angular :			
.X $\pm 1^\circ$			
Drawn	Checked	Approved	
Kevin	Mark	H. Sun	
2014/06/12	2014/06/12	2014/06/12	



DWG.NO.	Customer P/N:	TITLE
RS101F0G02-BB		RP SMA Straight Crimp Plug for 8X,LMR240,B7808A,H155 Cable
S-Conn Enterprise Co., Ltd.		

