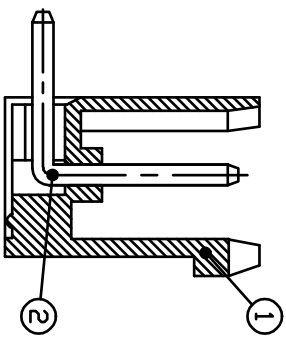
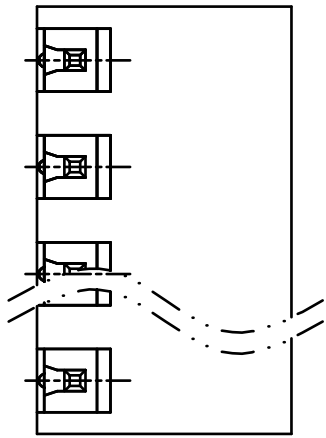
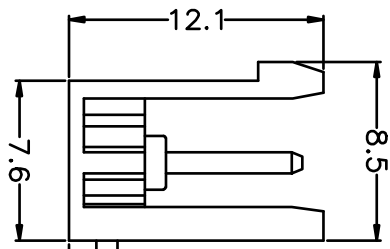
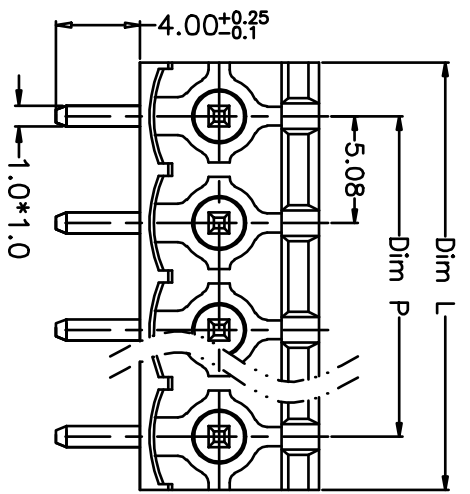


REV.	DESCRIPTION	DATE	DRAWN	APPROVED
A1	DWG.REL	2016/10/7	FANG	YANG

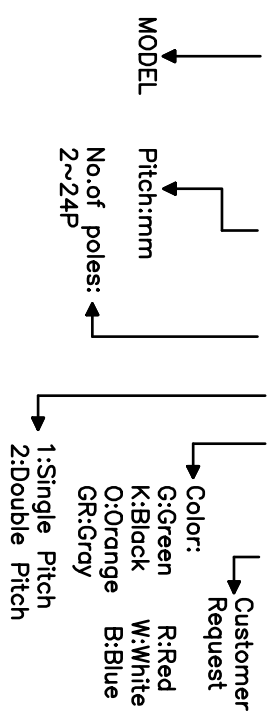


- Material  
 ①Housing : PA66, UL94V-0  
 ②Pin header : Brass, Tin plated
- Electrical  
 UL IEC  
 Rated voltage : 300V 320V  
 Rated current : 15A 20A  
 Insulation resistance: 500MΩ/DC500V  
 Withstanding Voltage : AC2000V/1min

- Mechanical  
 Operating temperature: -40°C~+105°C  
 Soldering temperature: 250°C±5/5sec

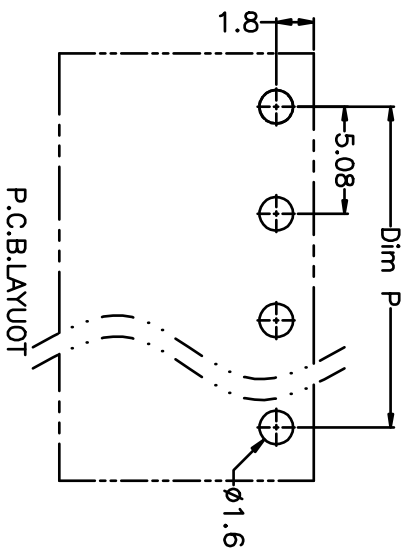
HOW TO ORDER

KF2EDGR-X-5.08-XXP-1 X-XXXXX



N=Number of Poles  
 Dim P=(N-1)x5.08  
 Dim L=Nx5.08

Poles	Dim P	Dim L
2-6P	±0.10	±0.15
7-12P	±0.20	±0.20
13-18P	±0.25	±0.30
19-24P	±0.30	±0.40



GENERAL TOLERANCE ANGLE TOLERANCE

X, .XX	±0.5 ±0.3 ±0.1	X°, .XX	±5° ±3° ±1°
--------	----------------------	---------	-------------------

DRAWING TYPE CUSTOMER SCALE

1:1	SHEET	1 OF 1
-----	-------	--------

DRAWING NO. XPO012016-xxxx

PROJECTION UNITS SHEET SIZE A4 SERIES KF2EDGR-X TITLE KF2EDGR-X-5.08-XXP

**凯峰电子有限公司**  
 CIXI KAIFENG ELECTRONIC CO.,LTD