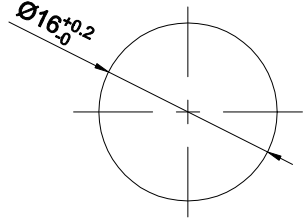
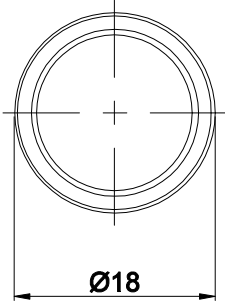
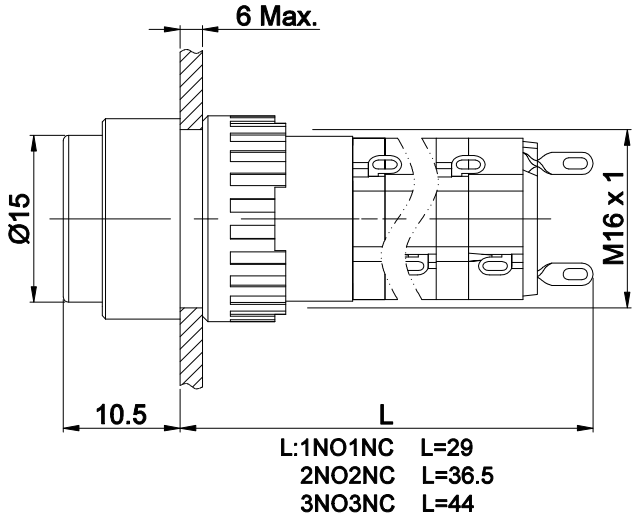
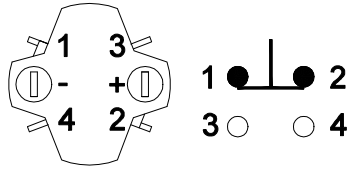


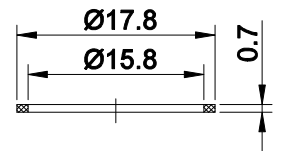
FOR 客户名称	APPROVED 客户确认签字	ATTN 销售负责人



PANEL CUTOUT



Contact Composition
 1, 2, 3, 4 are one set;
 1,2 are normal closed(NC);
 3,4 are normal opened(NO).



Seal Ring

Part Number: LAS1Y-□■/△/◎

□	Contact Structure
11	1NO1NC
22	2NO2NC
33	3NO3NC

■	Operation Mode
No Letter	Momentary
Z	Latching

△	Cap Color
R	Red
G	Green
Y	Yellow
B	Blue
W	White

◎	IP class
No Letter	IP40
FP	IP67

SPECIFICATIONS:

- Switch Rating: AC220V/2A, DC220V/0.1A.
- Mechanical Life: Momentary ≥1,000,000cycles
Latching ≥500,000cycles.
- Electrical Life: ≥50,000cycles.
- Contact Resistance: ≤50mΩ.
- Insulation Resistance: ≥100MΩ.
- Dielectric Strength:
Between contact and lamp terminals: AC 2,000V, RMS 50Hz, 1min;
Between terminals of the same pole: AC 1,500V, RMS 50Hz, 1min;
Between terminals of different pole: AC 2,000V, RMS 50Hz, 1min.
- Operating Temperature: -25°C ~ +55°C (No Freezing).
- Operating Force: About 2N.
- Terminal Type: Pin Terminal (1.8 x 0.4mm).
- IP Class: IP40, IP67 (with a seal cover).

MATERIALS:

- Contact: Silver alloy.
- Button: PC.
- Body: PC.
- Base: UF.

BRAND 品牌	ONPOW 欧宝龙	红波按钮制造有限公司 ONPOW PUSH BUTTON MANUFACTURE CO.,LTD.	
THESE DRAWINGS AND SPECIFICATIONS ARE THE PROPERTY OF ONPOW PUSH BUTTON MANUFACTURE CO.,LTD. AND SHALL NOT BE REPRODUCED COPIED OR USED IN ANY MANNER WITHOUT THE PRIOR WRITTEN CONSENT OF ONPOW PUSH BUTTON MANUFACTURE CO.,LTD.		USED 用途	APPD 审核
		FINISH 处理	CHKD 校对
SCALE 比例		1.5 / 1	UNIT 单位
		mm	DR. 制图
		ZPD 2020/09/09	
DIMENSIONS		TOLERANCE	
0.00 TO 3.00mm		±0.25mm	
3.01 TO 6.00mm		±0.30mm	
6.01 TO 10.00mm		±0.36mm	
10.01 TO 18.00mm		±0.43mm	
18.01 TO 30.00mm		±0.52mm	
30.01 TO 50.00mm		±0.62mm	
50.01 TO 80.00mm		±0.74mm	
TITLE 名称		LAS1 Series pushbutton switch	
DWG NO. 图号		LAS1Y不带灯	
FILE NAME 档案名称		SHEET 张	1 / 1
Government standard: GB/T 1800.1-2009; Grade of tolerance: IT14.		REV. 更改	1