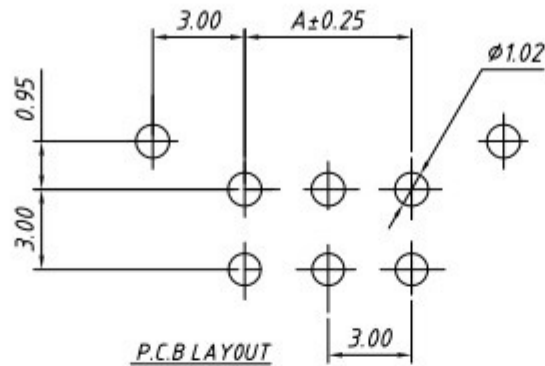
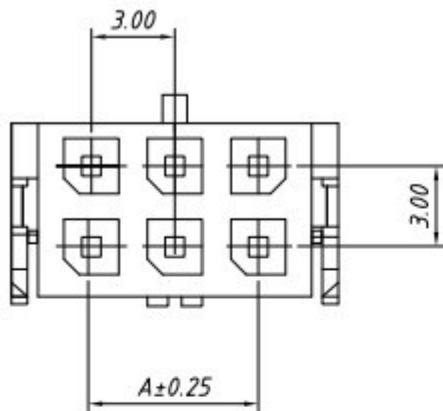


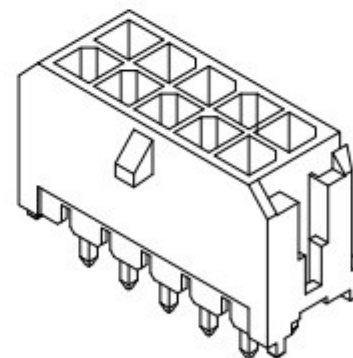
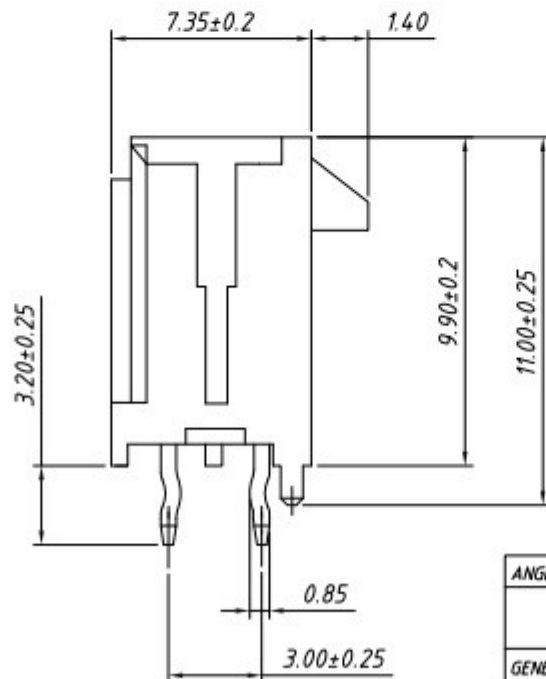
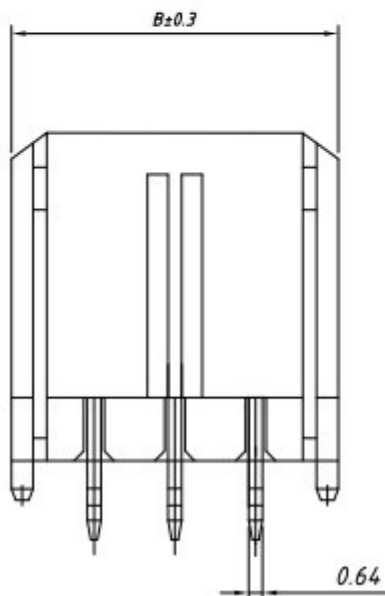
RoHS Compliance



Material:
 Insulator: PA46, UL94V-0
 Contact: Brass
 Plating: Tin plated

Electrical Characteristics:
 Rated Current: 5.0AMP
 Voltage rating: 250V AC,DC
 Temperature range: -25°C ~ +85°C
 Insulator Resistance: 1000MΩ Min
 Withstanding Voltage: 1500V AC/minute
 Contact Resistance: 10mΩ Max

Pin	Dimensions(mm)	
	A	B
01	---	6.65
02	3.00	9.65
03	6.00	12.65
04	9.00	15.65
05	12.00	18.65
06	15.00	21.65
07	18.00	24.65
08	21.00	27.65
09	24.00	30.65
10	27.00	33.65
11	30.00	36.65
12	33.00	39.65



ANGLE TOLERANCE	PROJECTION	Description:	3.0mm Pitch Micro Fit 3.0 43020 43025		
±3°		43045 43030 43031 43645 43640 Wire To Board Connector			
GENERAL TOLERANCE	UNITS	mm	P/N:	PWHxxS-CT	
x.x ±0.30	SHEET SIZE	A4	CONN THERM		
x.xx ±0.20	Draw:	Daniel			2021-01-11
x.xxx ±0.10	Check:	Daniel			2021-01-11