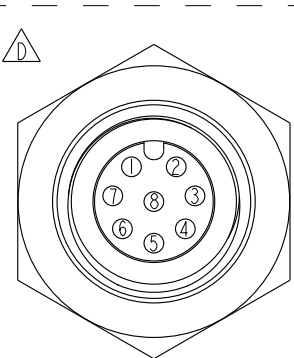
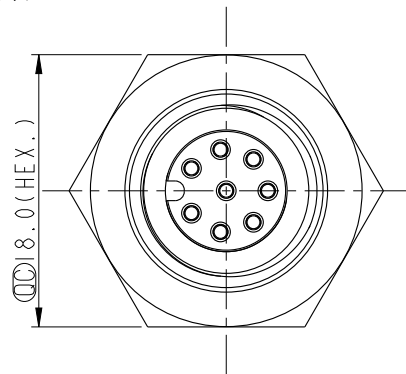
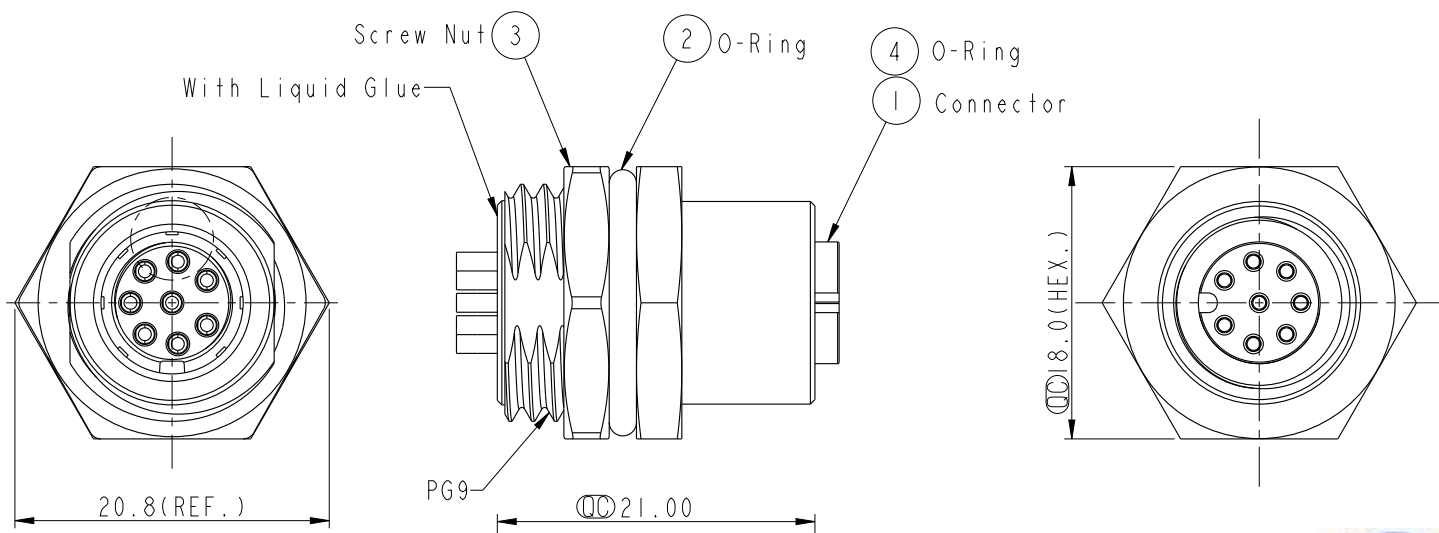
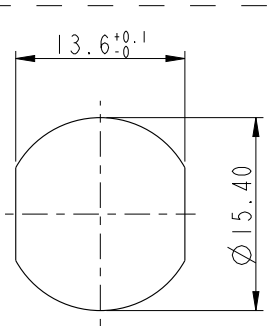


REV.	ECN NO.	DATE	SIGN	DESCRIPTION
B	LEN-7A0009	2007/10/01	Rommel A. Vergara	Add Note
C	LEN1370289	2013/07/19	Rensong	chang demension 25.2 to 25.3
D	LEN13A0016	2013/10/11	Rensong	Modify Pin Assignment

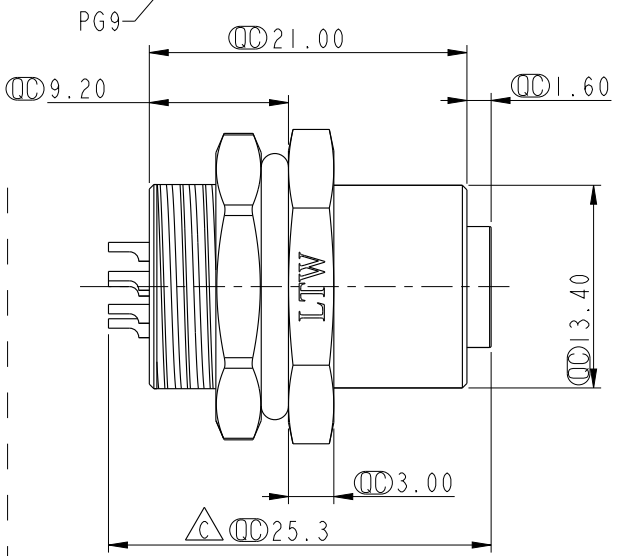
ALTW
CONFIDENTIAL
 2013-10-11
R&D DEPT.



Pin Assignment
Front View



Recommended Panel Cut-Out



ALTW
 DCC. DEPT.
 CONFIDENTIAL
 2013.10.11
 ISSUED

- Note:
- * \varnothing Important Dimension.
 - * Waterproof Rate: IP68
 - * Housing: Black, Nylon+GF
 - * Pin: Copper Alloy, Gold Plated
 - * Shield: Zinc Alloy, Nickel Plated
 - * Nut: Zinc Alloy, Nickel Plated
 - * O-Ring: Black, EPDM
 - * For Panel Thickness Max 4.5mm
 - * \triangle Nut Torque: 4-6 kgf.cm

UNIT: mm		
TOLERANCE		
.X	±0.25	
.XX	±0.1	
.XXX	±0.05	
ANGLES	±1°	

TITLE			
M12 Conn Panel Screw 8Pin F Conn F Pin			
SCALE	SIZE	SHEET	OF
2:1	A4	1	1
REV.	WC-REV.	\varnothing : Inspection item	
D	C.2		

Amphenol LTW
 安費諾亮泰企業股份有限公司

ITEM NO.	DRAWN BY	DATE
12-08PFFS-SH8001	Lin_rensong	2013-10-11
DWG NO.	CHECKED BY	DATE
12-08PFFS-SH8001	Tony_leng	2013-10-11
CUSTOMER	APPROVED BY	DATE
ALTW	Victor	2013-10-11

THIS DOCUMENT IS SUBJECT TO CHANGE WITHOUT NOTICE. IT IS CONFIDENTIAL AND A PROPERTY OF Amphenol LTW. DISCLOSURE TO THIRD PARTY HAS TO BE AUTHORIZED BY Amphenol LTW.