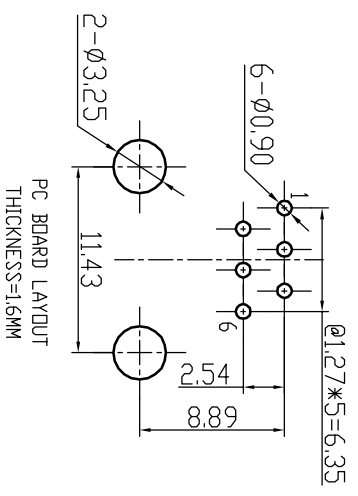
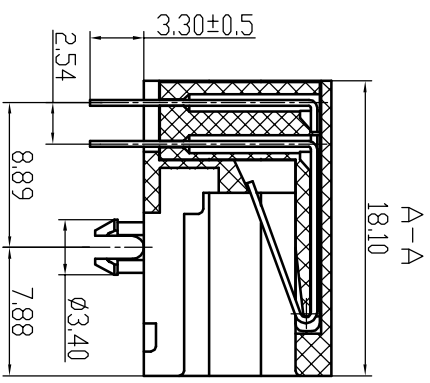
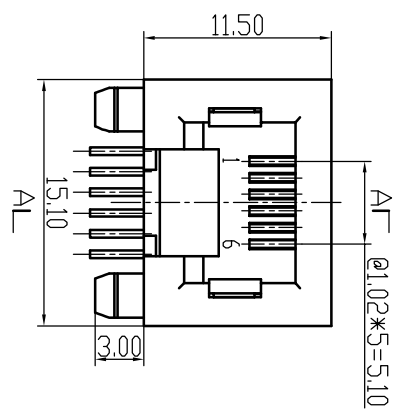
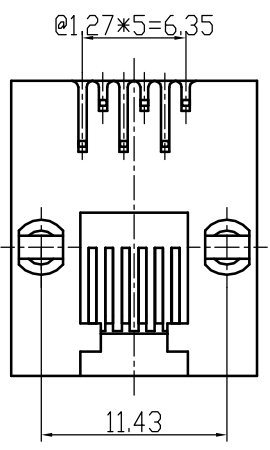


REV.	ECN NO.	DATE
01	ADD P/N	2014.04.04



NOTES:

- ELECTRICAL:**
- VOLTAGE RATING : 125 VAC RMS
 - CURRENT RATING : 1.5 AMPS@25°C
 - CONTACT RESISTANCE : 20 mΩ MAX.
 - INSULATION RESISTANCE : 1000 MΩ MIN @500VDC.
 - WITHSTAND VOLTAGE : 1000 VAC RMS, contact to contact or 1500VDC, contact to screen and test panel @0.5mA 50Hz or 60Hz 1 min.

- ENVIRONMENTAL:**
- STORAGE TEMPERATURE : -40°C ~+85°C RELATIVE HUMIDITY<80%
 - OPERATION TEMPERATURE : -40°C ~+85°C
- MATES WITH MODULAR PLUG CONFORMING TO IEC-60603 & TIA-1096

- MECHANICAL:**
- HOUSING/INSERT& MATERIAL : PBT/PA66 UL94V-0.
 - CONTACT MATERIAL : PHOSPHOR BRONZE T=0.35mm.
 - CONTACT PLATING : GOLD PLATING OVER NICKEL.
 - MATING/UMMATING FORCE : 30N Max.
 - RETENTION STRENGTH : 50N FOR 60S±5S.
 - DURABILITY : 750 CYCLES MIN.

P/N	DESCRIPTION	MATERIAL COLOR
10240564A001	RJ11 5321 6PAC(2,3,4,5)JK1055 JACK G/F	PBT BLACK
10240566A001	RJ11 5321 6P(6C1,2,3,4,5,6)JK1055 JACK G/F	PBT BLACK

RoHS Compliant



温州意平接插件股份有限公司
WENZHOU YIHUA CONNECTOR CO., LTD

SCALE	UNIT	CUSTOMER:	TOLERANCES	Material:	SEE_NDTE	Designed:	NAME:
A4	mm		00~15 ± 0.15 15~30 ± 0.20 30~ ± 0.25 ANGLES ±1°	Finish: G/F		Ygq	RJ11 5321 6P JK1055 JACK
1:1	mm	MODEL NO:		SHEET 1 OF 1	Approved:		DWG NO: E53Q07091903
							PART NO: SEE_NDTE
							REV. 01

1

2

3

4