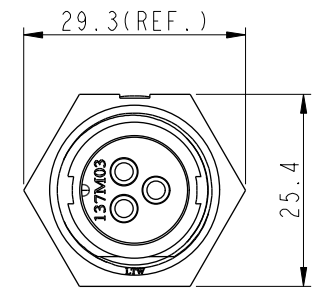
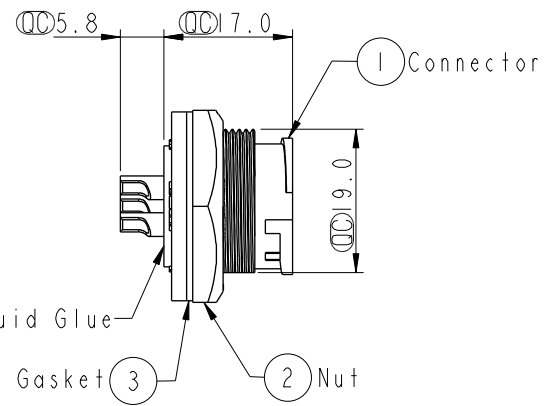
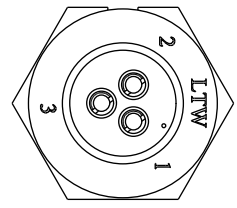


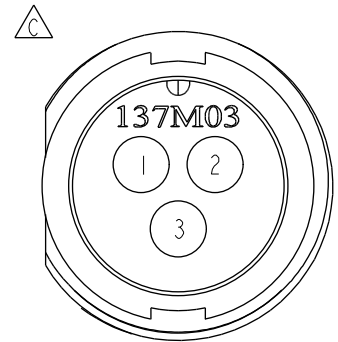
REV.	ECN NO.	DATE	SIGN	DESCRIPTION
B	LEN-8B0054	2008/09/25	Shin	Add Note.
C	LEN11C0142	2011/12/20	Vicky	Modify Pin Out.

ALTW
CONFIDENTIAL
 2012-02-03
 R&D DEPT.

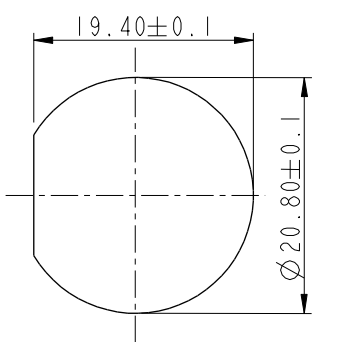
ALTW
 DCC. DEPT.
 CONFIDENTIAL
 2012-05-10
 ISSUED



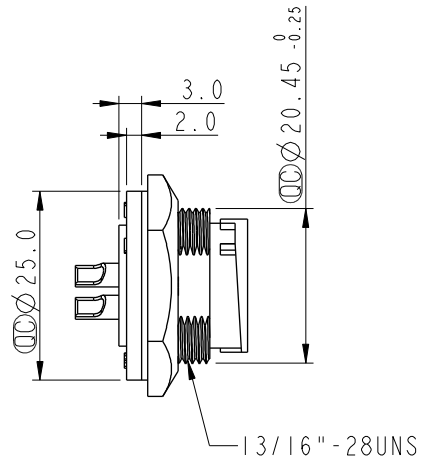
With Liquid Glue



Pin Assignments
Front View



Recommerded
Panel Cut-Out



Note:

- * \varnothing Important Dimension.
- * Waterproof Rate: IP67
- * Housing: Nylon+GF, Black.
- * Male Pin: Copper Alloy, Gold Plated.
- * Nut: Nylon+GF, Black.
- * Gasket: EPDM, Black.
- * Use with waterproof cap or dust cap
Panel Thickness Max: 3.0mm
- * Use without waterproof cap or dust cap
Panel Thickness Max: 4.0mm

UNIT: mm		
TOLERANCE		
.X	±0.25	
.XX	±0.1	
.XXX	±0.05	
ANGLES	±1°	

TITLE Middle Panel Lock 3Pin M Conn M Pin			
SCALE 1:1	SIZE A4	SHEET 1 OF 1	
REV. C	WC-REV. A.4	\varnothing : Inspection item	

Amphenol LTW
 安費諾亮泰企業股份有限公司

ITEM NO. CC-03PMMS-LC7001	DRAWN BY SamChang	DATE 2012-04-10
DWG NO. CC-03PMMS-LC7001	CHECKED BY Jeffrey	DATE 2012-05-10
CUSTOMER ALTW	APPROVED BY Lion	DATE 2012-05-10

THIS DOCUMENT IS SUBJECT TO CHANGE WITHOUT NOTICE. IT IS CONFIDENTIAL AND A PROPERTY OF AMPHENOL LTW. DISCLOSURE TO THIRD PARTY HAS TO BE AUTHORIZED BY AMPHENOL LTW.