

OPS880

4th Gen Intel® Core™ i5 Open Pluggable Specification (OPS) Digital Signage Player

NEW



- | | |
|-----------------|----------------------|
| 1. JAE TX-25 | 7. HDD indicator |
| 2. USB 3.0 x 2 | 8. Audio (Line-out) |
| 3. Ethernet | 9. Audio (Mic.-in) |
| 4. HDMI | 10. RS-232 |
| 5. Power switch | 11. USB 2.0 |
| 6. Reset | 12. Optional antenna |



Specifications

Main System	CPU	4th Gen Intel® Core™ i5 processor onboard
	Chipset	Intel® QM87 PCH
	System Memory	1 x 204 pin DDR3L SO-DIMM-1066 max. up to 8 GB
	Storage	1x mSATA
	BIOS	AMI UEFI BIOS with OA 3.0 built
	Watchdog Timer	255 levels, 1 – 255 sec.
I/O	2 x USB 3.0	
	1 x USB 2.0	
	1 x 10/100/1000Mbps Ethernet	
	1 x HDMI	
	1 x RS-232 (COM 2)	
	1 x power on/off button	
	1 x reset button	
	1 x Audio (Line-out)	
	1 x Audio (Mic-in)	
	1 x DisplayPort (via OPS JAE interconnector) (Pure DP)	
	2 x USB 2.0 (via OPS JAE interconnector)	
	1x USB 3.0 (via OPS JAE interconnector)	
	1 x Audio (Line-out, via OPS JAE interconnector)	
1 x UART (TX/RX, via OPS JAE interconnector) (COM1)		
Indicator	1 x LED for system power ON	
WiFi	Optional 802.11 b/g/n	
Expansion Slot	2 x PCI Express Mini Card	
Dimensions	200 mm (7.87") (W) x 119 mm (4.68") x 30 mm (1.18")	
Packing Dimensions	270 mm (10.63") (W) x 197 mm (7.76") x 70mm (2.76")	
Weight (net/gross)	1 kg (2.21 lb)/1.5 kg (3.3 lb)	
Environmental	0°C ~ +45°C (32°F ~ 113°F) (with airflow 1.2m/s)	

Packing

- 1 x driver CD
- 1 x thermal grease
- 2 x M3 x 4 screw
- 2 x M4 x 6 screw

Features

- Open Pluggable Specification (OPS) compliance
- Supports 4th Gen Intel® Core™ i5 processor onboard
- Intel® QM87 chipset
- Supports DDR3L SO-DIMM 1600 max. up to 8 GB
- Supports 2 USB 3.0 ports, 2 PCI Express Mini Card
- Optional 802.11 b/g/n
- Remote management: Intel® AMT (Active Management Technology) 9.0
- Easy maintenance
- HDMI interface for 2nd display



▲ Rear view

Optional OS Installation

Windows® 7, Windows® Embedded 8

Ordering Information

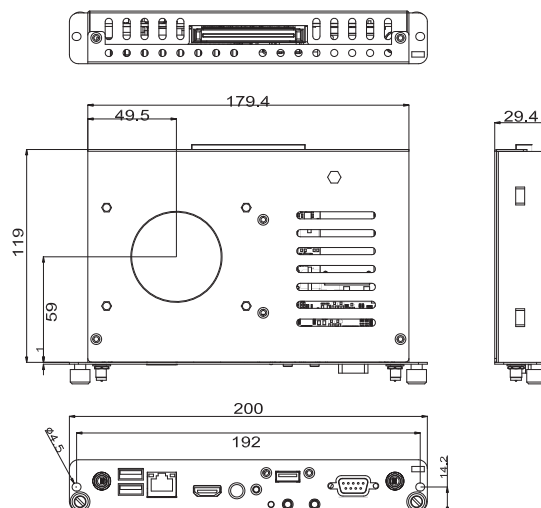
Standard

OPS880 OPS digital signage player supports 4th Gen Intel® Core™ i5 processor onboard

Optional

OPF320 31.5" full HD digital signage display
 OPF321 31.5" LED backlight full HD digital signage display
 AX93157 OPS docking board

Dimensions



* All specifications and photos are subject to change without notice.