

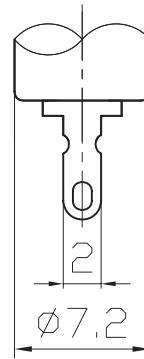
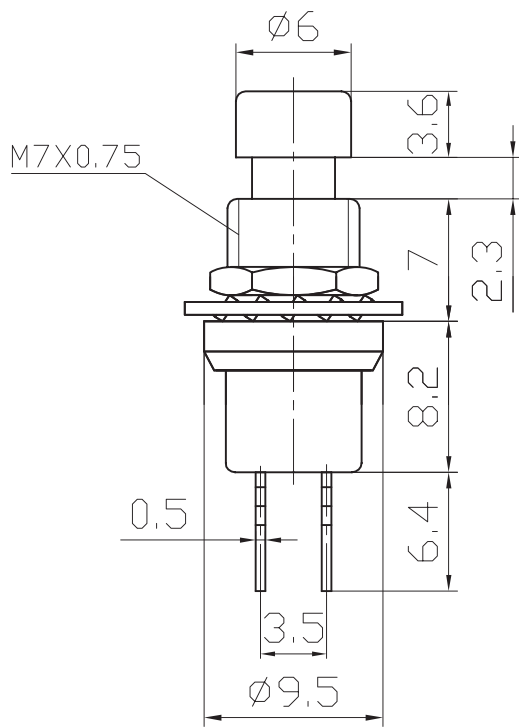
CONNTERM

Switch

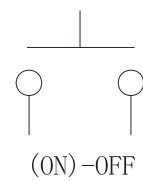
Push Button Switch Series

ELECTRICAL

Rating: 3A 125V AC ,1A 250V AC
Contact resistance: 20m Ω Max
Insulation resistance: 100M Ω /500VDC Min
Withstanding Voltage: AC1000V/1Min
Operating Temperature: -25°C~+85°C
Electrical life: 50000 Cycles



Circuitry



Mounting

