

DETAILS

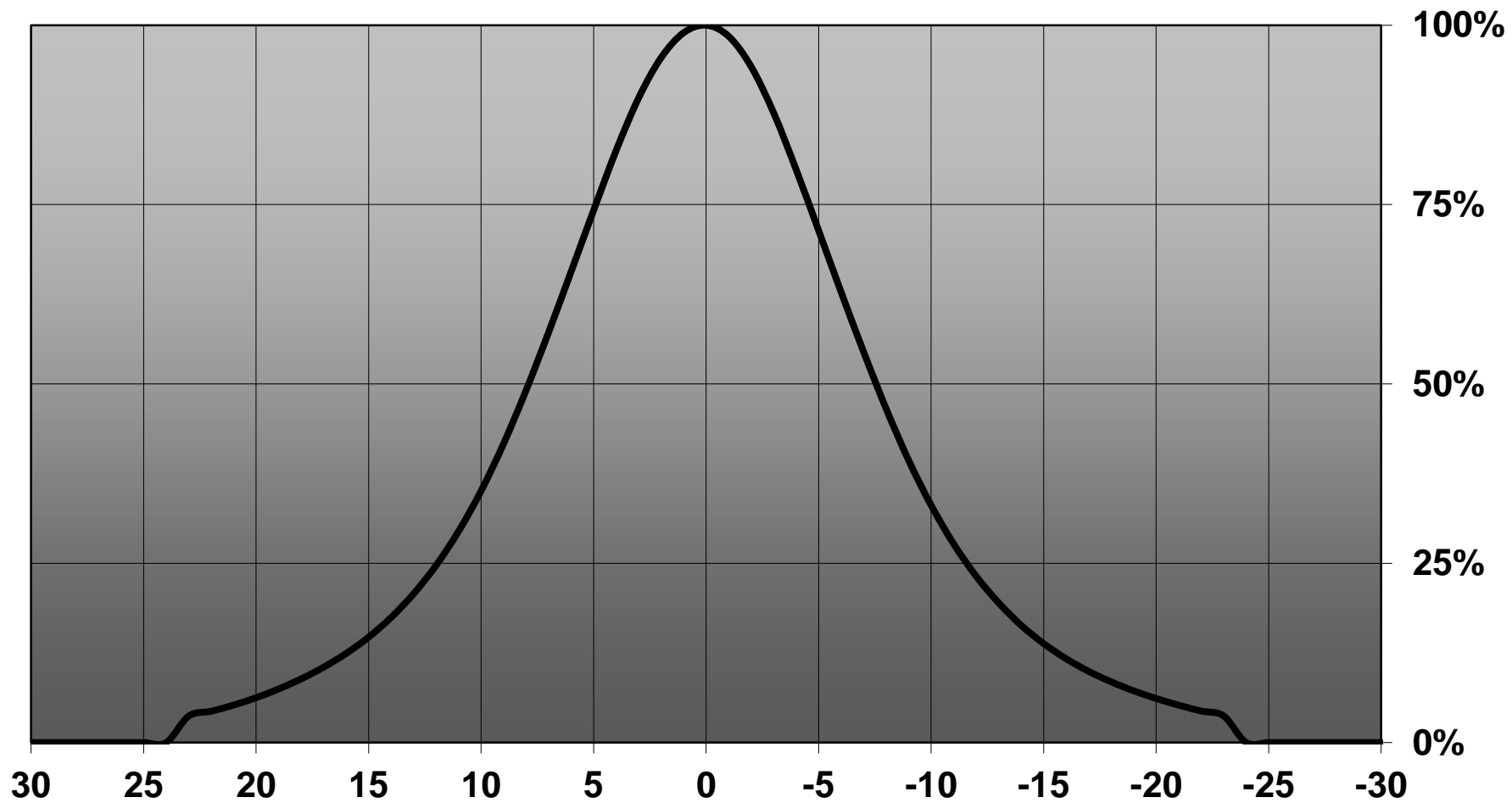
Product Number	CN11770_IRIS
Family	Iris
Type	Pack
Color	black
Diameter	38 mm
Height	28,1 mm
Style	round
Optic Material	PMMA
Holder Material	
Fastening	pin, glue
Status	production ready
ROHS Compliant	Yes
Date Updated	6/08/2015

OPTICAL PROPERTIES

LED	Viewing	Light	Efficiency	cd/lm	Connector
	Angle	Beam			
XHP70	14 deg	Spot	90 %	5.700	-
MHD-E/G	18 deg	Spot	93 %	5.700	-
SST-90	17 deg	Spot	-	6.300	-
Duris S10	15 deg	Spot	83 %	7.100	-



Relative intensity of CN11770_IRIS_(Duris_S10)



D

C

B

A

4

4

3

3

2

2

1

1

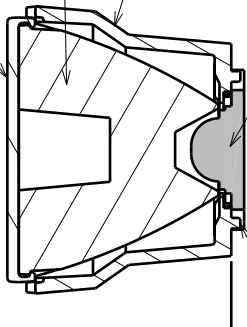
Optional Sublens

Iris Lens

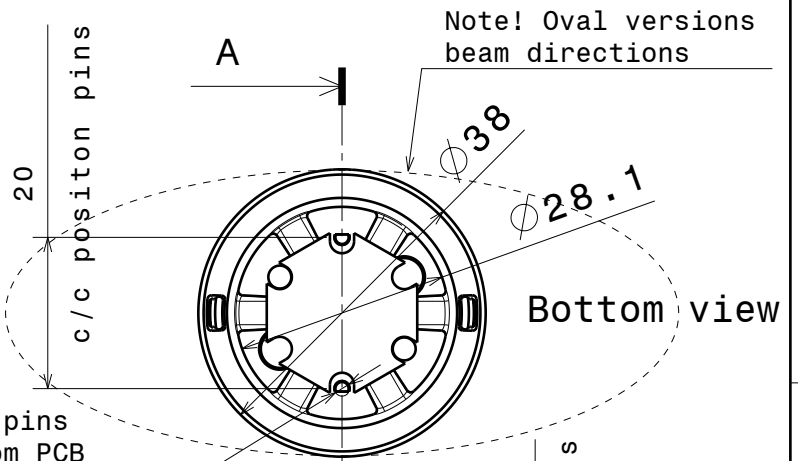
Iris SST-Holder

Led

Section view A-A

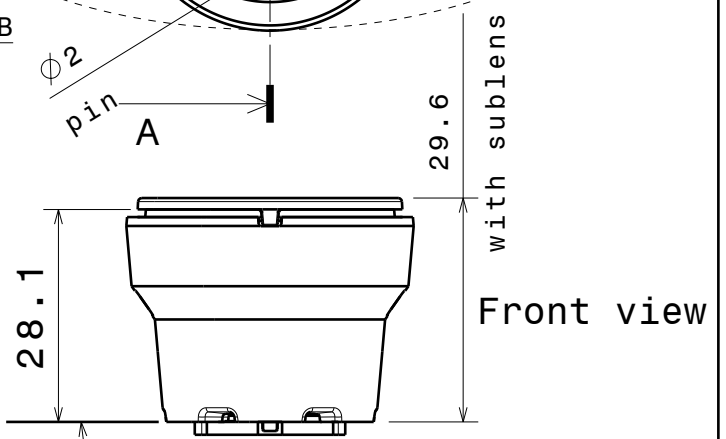


Position pins for custom PCB



Note! Oval versions beam directions

Bottom view

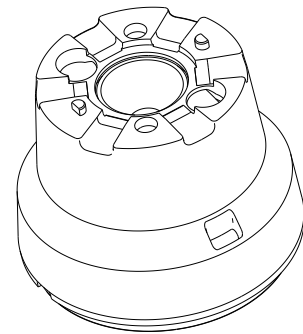


Front view

top of PCB

Materials:
Lens PMMA
Holder PC

Isometric view,
lenses & holder



This drawing is our property.
It can't be reproduced
or communicated without
our written agreement.



L
T
F
F

e
e
i
i
N
n

d

DRAWING TITLE

Datasheet Iris-SST assy

DRAWN BY

DATE

p

29.10.2010

CHECKED BY

DATE

t

k

29.10.2010

DESIGNED BY

DATE

pv

28.04.2010

SIZE

A4

DRAWING NUMBER

-

REV

1

SCALE

1:1

WEIGHT (g)

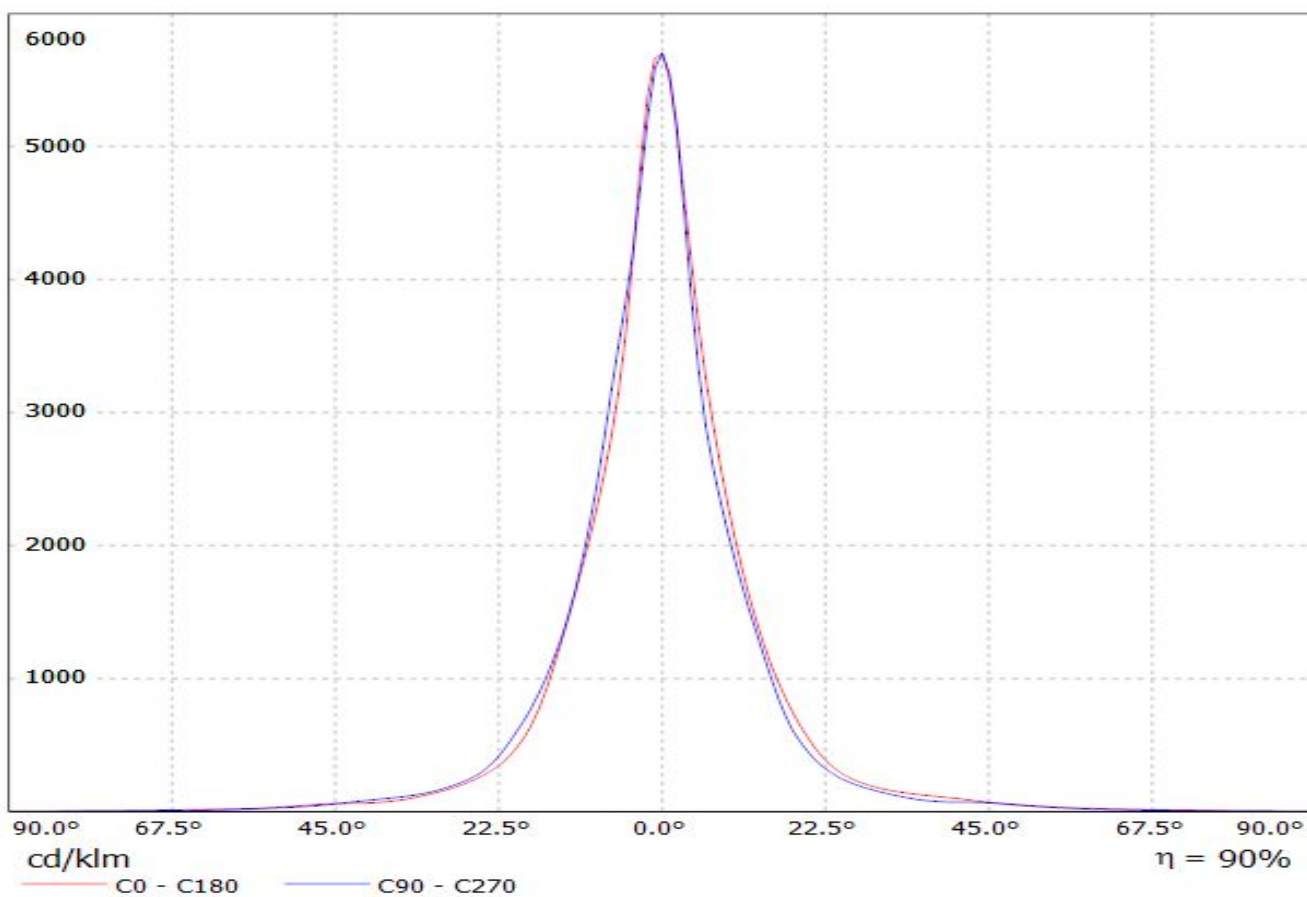
SHEET

1/1

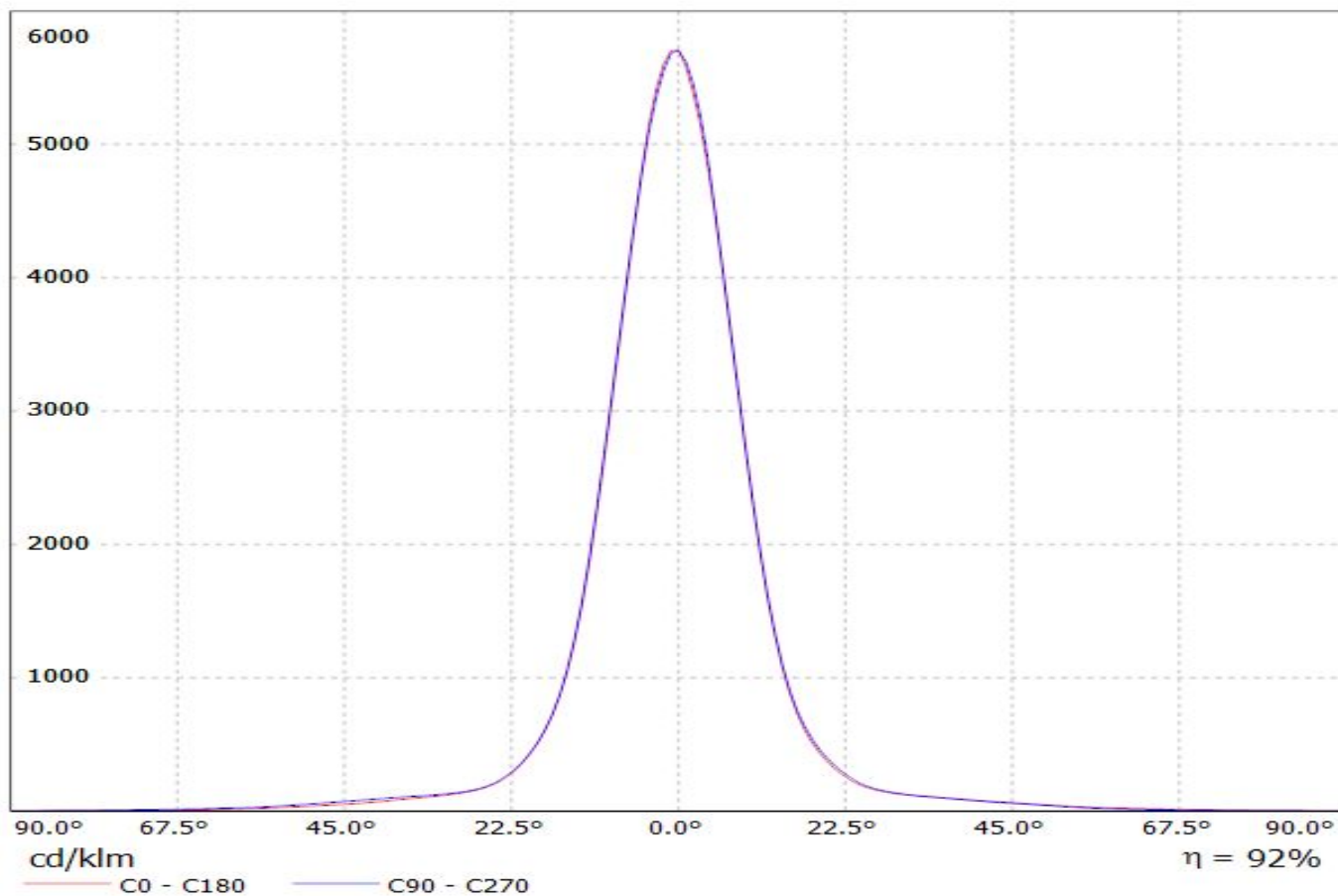
D

A

Luminaire: EVERFINE CN11770_IRIS_(CREE_XHP70)
Lamps: 1 x CREE_XHP70_288.639lm@250mA_P=2.69892W_η=0.2499A

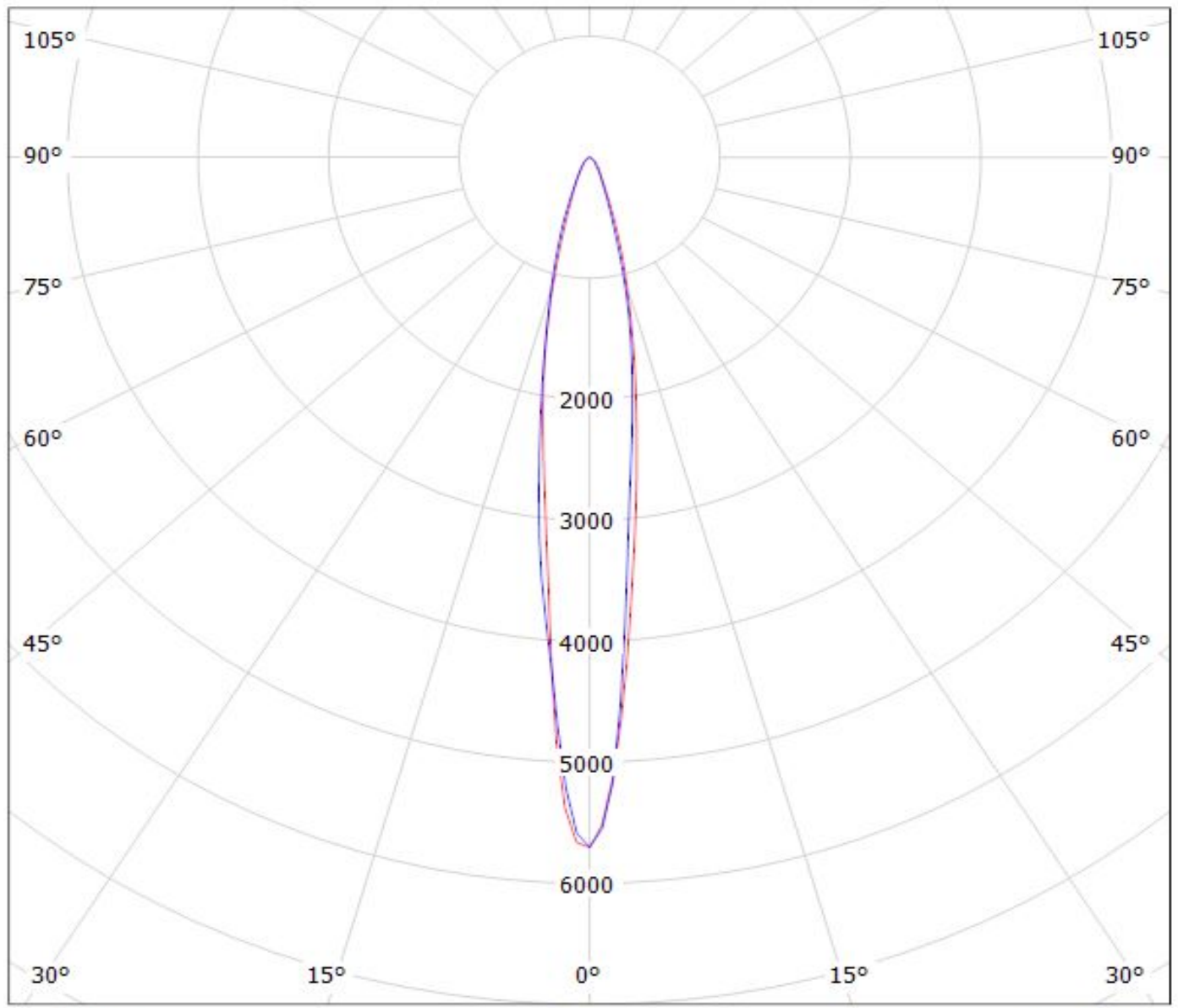


Luminaire: Ledil CN11770_IRIS_(MHD-G)
Lamps: 1 x MHD-G_528.91lm@100mA_P=3.0W_I=0.100A



Luminaire: EVERFINE CN11770_IRIS_(CREE_XHP70)

Lamps: 1 x CREE_XHP70_288.639lm@250mA_P=2.69892W_I=0.2499A



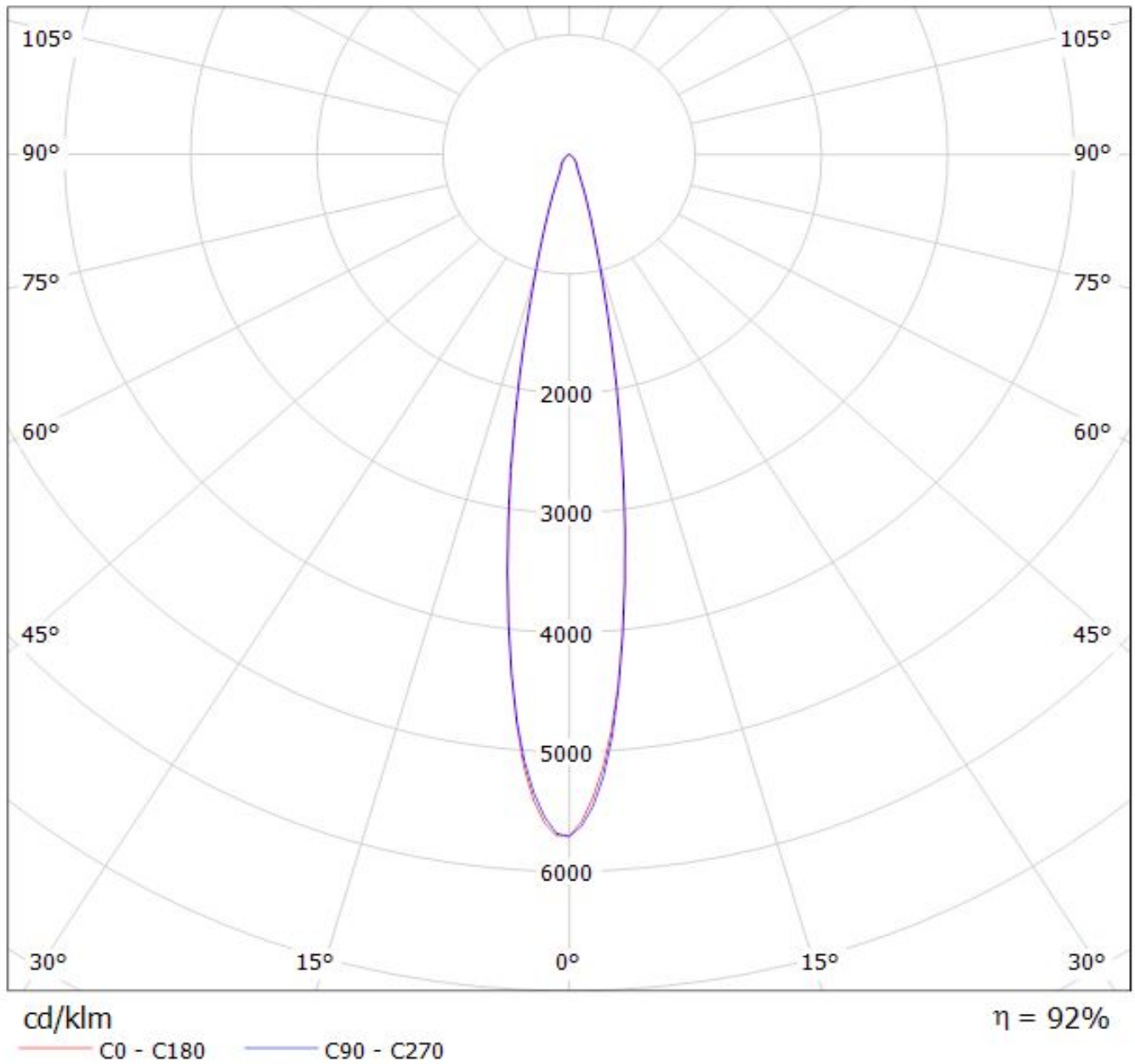
cd/klm

— C0 - C180

— C90 - C270

$\eta = 90\%$

Luminaire: Ledil CN11770_IRIS_(MHD-G)
Lamps: 1 x MHD-G_528.91lm@100mA_P=3.0W_I=0.100A



NOTE: The typical divergence will be changed by different color, chip size and chip position tolerance. The typical total divergence is the full angle measured where the luminous intensity is half of the peak value.