

PRODUCT DATASHEET
Regina series

last update 19/5/2016

**Product number** C11347_REGINA

Family	Regina	FWHM	10 degrees
Type	Reflector	Efficiency	86 %
LED	XP-G	cd/lm	-
Color	Metal	Gerber File	Available
Diameter	19 mm		
Height	15.3 mm		
Style	Round		
Optic Material	PC		
Holder Material	-		
Fastening	["pin", "glue"]		
Status	Production ready		

NOTE: The typical divergence will be changed by different color, chip size and chip position tolerance. The typical total divergence is the full angle measured where the luminous intensity is half of the peak value.

D

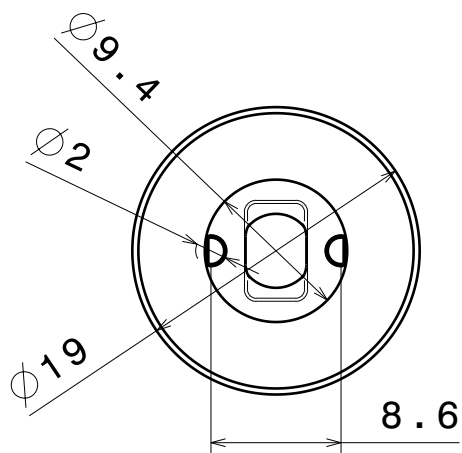
C

B

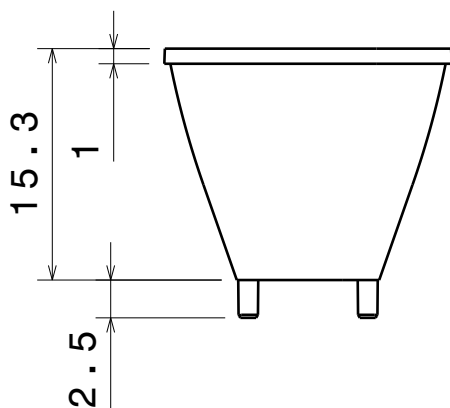
A



Isometric view
Scale: 1:1



Bottom view



Front view

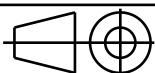
INDEX	PART NO	DESCRIPTION	MATERIAL	COLOUR
1	C11347	REGINA	PC	metal

Tolerances if not otherwise shown
According to DIN ISO 2768-1
Linear measures:
Up to 30mm class M, otherwise class C.
According to DIN ISO 2768-2
Form and position: class L

LEDiL

Ledil Oy
Salorankatu 10
FIN 24240 SALO
Finland

THIRD ANGLE PROJECTION:



DRAWING TITLE

C11347_Regina

This drawing is the property
of LEDiL Oy. It may not be
reproduced, copied or
communicated without a written
agreement with LEDiL Oy.

SIZE PART NUMBER

A4

C11347

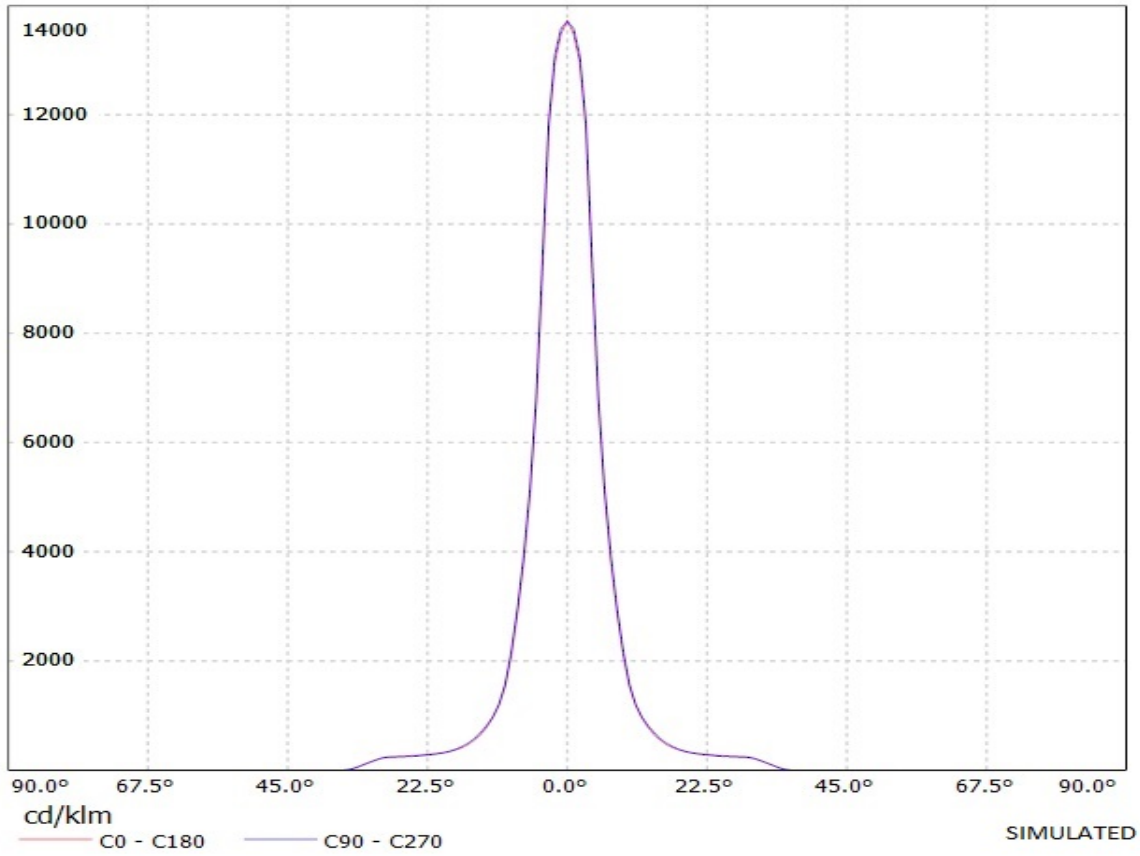
SCALE 1:1 WEIGHT 0,8 g SHEET 1/1

D

A

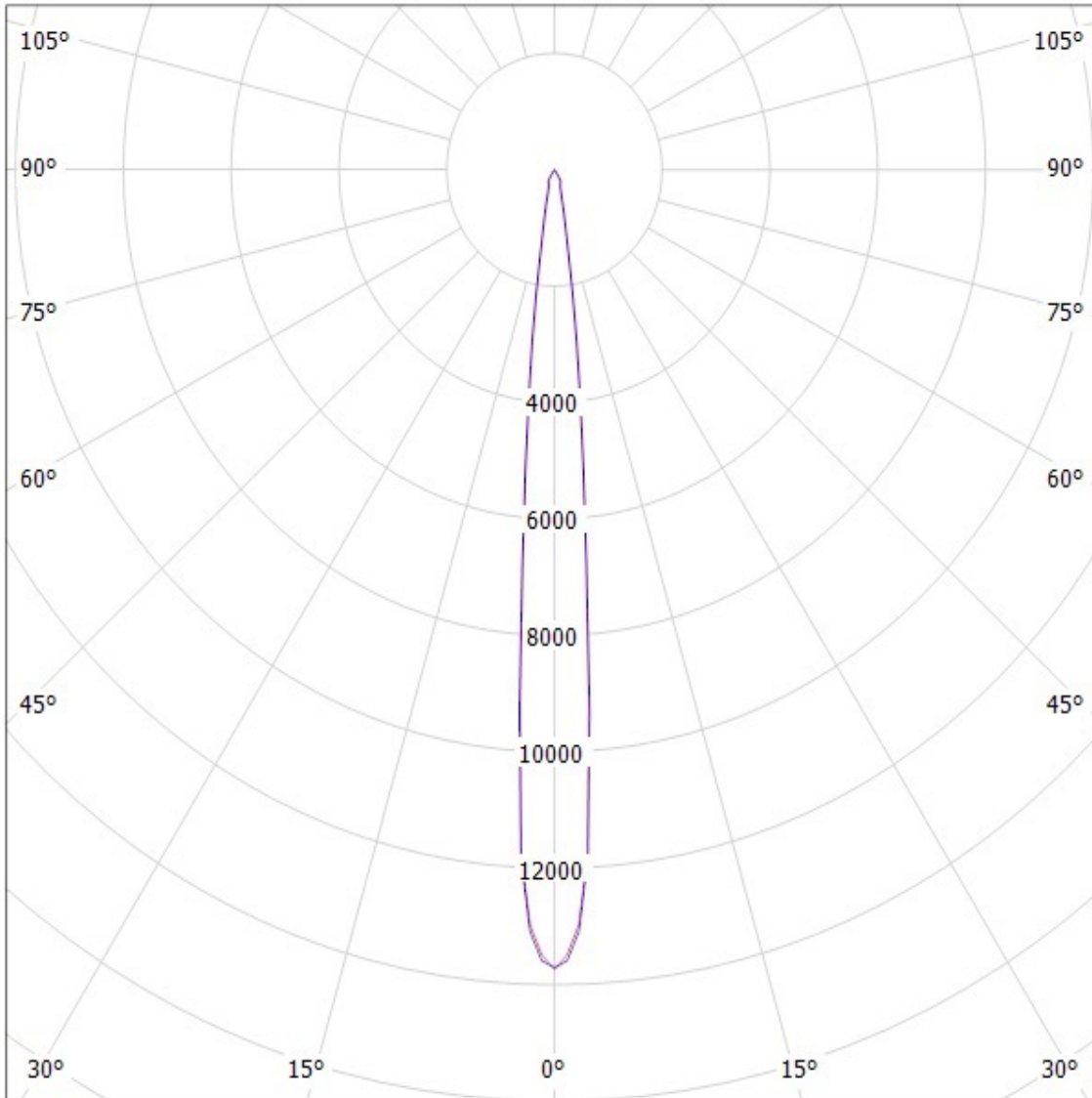
Ledil Oy C11347_Regina-XP-G C11347_Regina-XP-G / LDC (Linear)

Luminaire: Ledil Oy C11347_Regina-XP-G C11347_Regina-XP-G
Lamps: 1 x Cree XP-G (White)



Ledil Oy C11347_Regina-XP-G C11347_Regina-XP-G / LDC (Polar)

Luminaire: Ledil Oy C11347_Regina-XP-G C11347_Regina-XP-G
Lamps: 1 x Cree XP-G (White)



cd/klm

— C0 - C180 — C90 - C270

SIMULATED