

**Product number C10812_CUTE-4-M**

Family	Cute	FWHM	26 degrees
Type	Lens array	Efficiency	-
LED	MX-6	cd/lm	-
Color	Clear	Gerber File	Available
Diameter	35 mm		
Height	15 mm		
Style	Round		
Optic Material	PMMA		
Holder Material	-		
Fastening	["glue", "pin"]		
Status	Production ready		

Product number C10813_CUTE-4-W

Family	Cute	FWHM	38 degrees
Type	Lens array	Efficiency	-
LED	MX-6	cd/lm	-
Color	Clear	Gerber File	Available
Diameter	35 mm		
Height	15 mm		
Style	Round		
Optic Material	PMMA		
Holder Material	-		
Fastening	["pin", "glue"]		
Status	Production ready		

NOTE: The typical divergence will be changed by different color, chip size and chip position tolerance. The typical total divergence is the full angle measured where the luminous intensity is half of the peak value.



PRODUCT DATASHEET

Cute series

last update 7/3/2016

GENERAL INFORMATION

- Product series especially designed & optimized for MX-6 series of LEDs.
- Special care taken to make light distribution as uniform as possible.
- Lens material optical grade PMMA with high UV and temperature resistance. Allows use of high current and temperature conditions.

Please find more information about used material from below:

http://ledil.fi/sites/default/files/Documents/Technical/Material/PMMA%20N%20UL94_Yellow%20Card.pdf

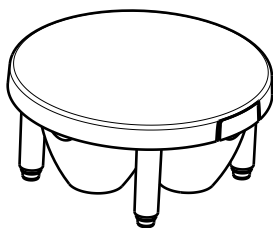
<http://ledil.fi/sites/default/files/Documents/Technical/Material/PMMA%20N%20PLEXIGLAS-Datasheet.pdf>

D

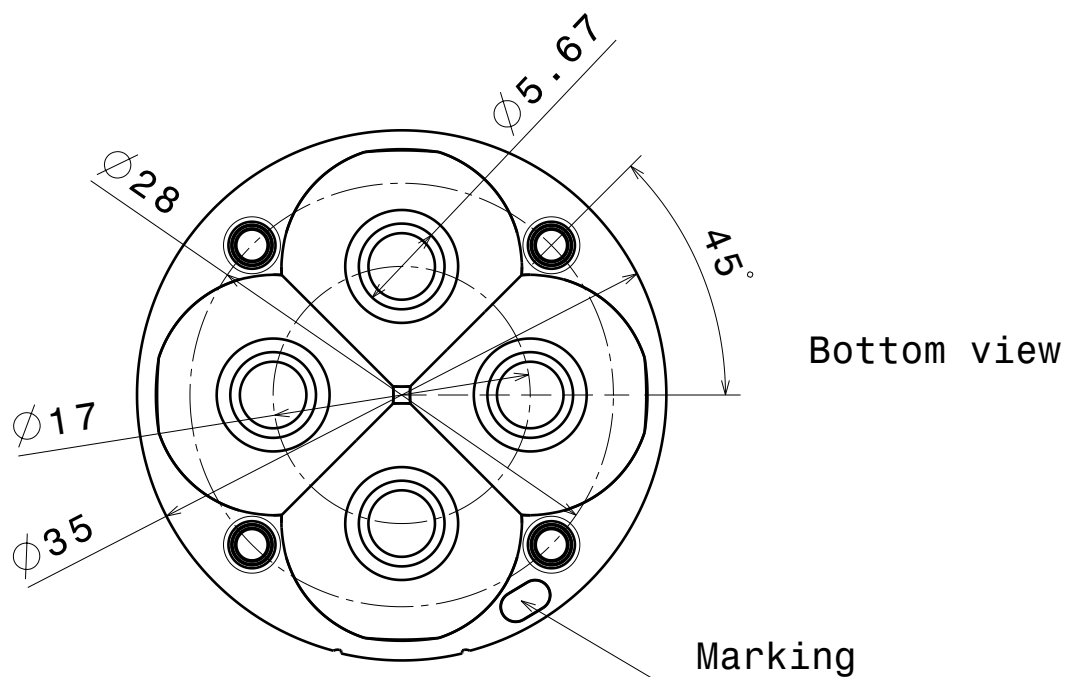
C

B

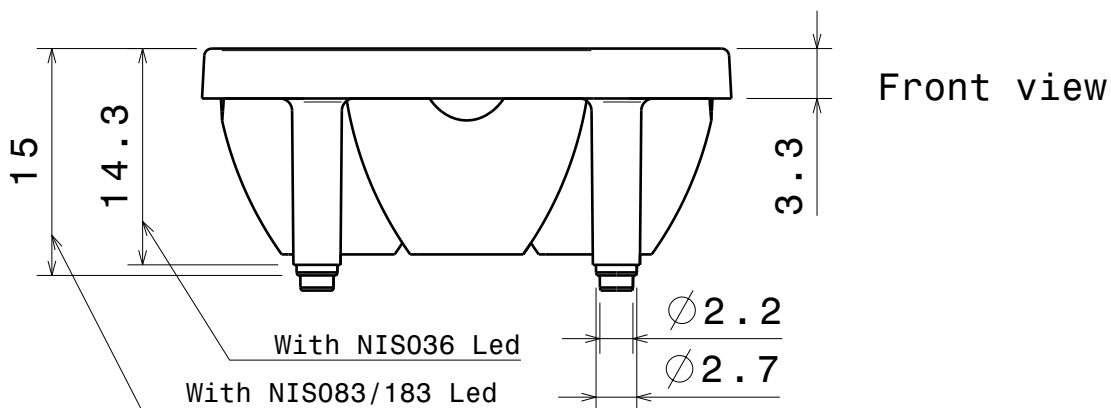
A



Isometric view
Scale: 1:1



Bottom view



Front view

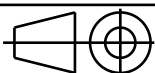
INDEX	PART NO	DESCRIPTION	MATERIAL	COLOUR
1	CUTE-4-W	CUTE-4-W	PMMA	

Tolerances if not otherwise shown
According to DIN ISO 2768-1
Linear measures:
Up to 30mm class M, otherwise class C.
According to DIN ISO 2768-2
Form and position: class L

LEDiL

Ledil Oy
Salorankatu 10
FIN 24240 SALO
Finland

THIRD ANGLE PROJECTION:



DRAWING TITLE

C10813_CUTE-4-W

This drawing is the property
of LEDiL Oy. It may not be
reproduced, copied or
communicated without a written
agreement with LEDiL Oy.

SIZE PART NUMBER

A4

C10813

SCALE 1:1 WEIGHT 8.6 g SHEET 1/1

D

A