



PRODUCT DATASHEET

Lenina series

last update 1/11/2016

DETAILS

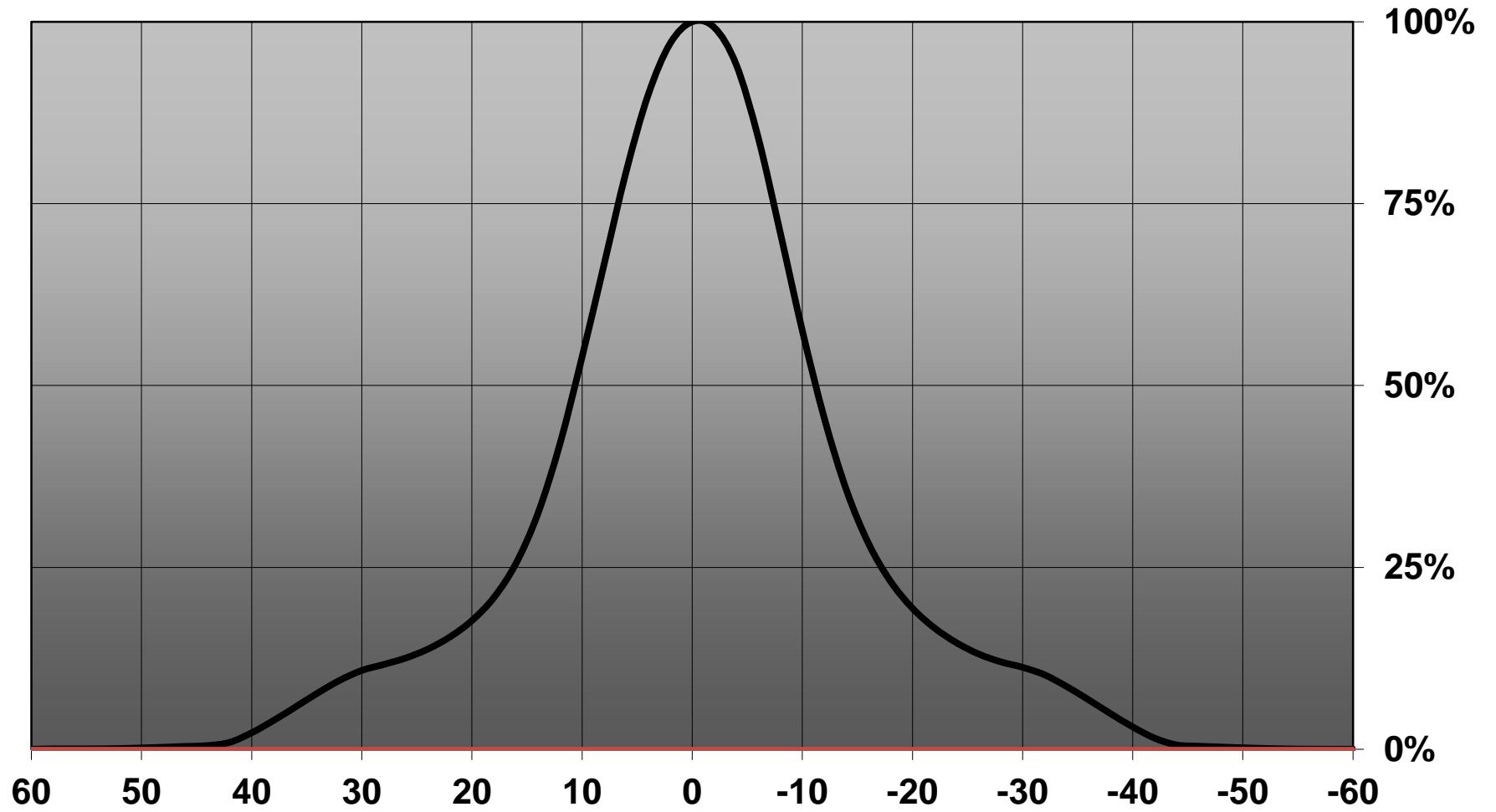
Product Number	CN13344_LENINA-S
Family	Lenina
Type	RefPack
Color	metal
Diameter	74 mm
Height	47,3 mm
Style	round
Optic Material	
Holder Material	
Fastening	socket
Status	production ready
ROHS Compliant	Yes
Date Updated	1/11/2016

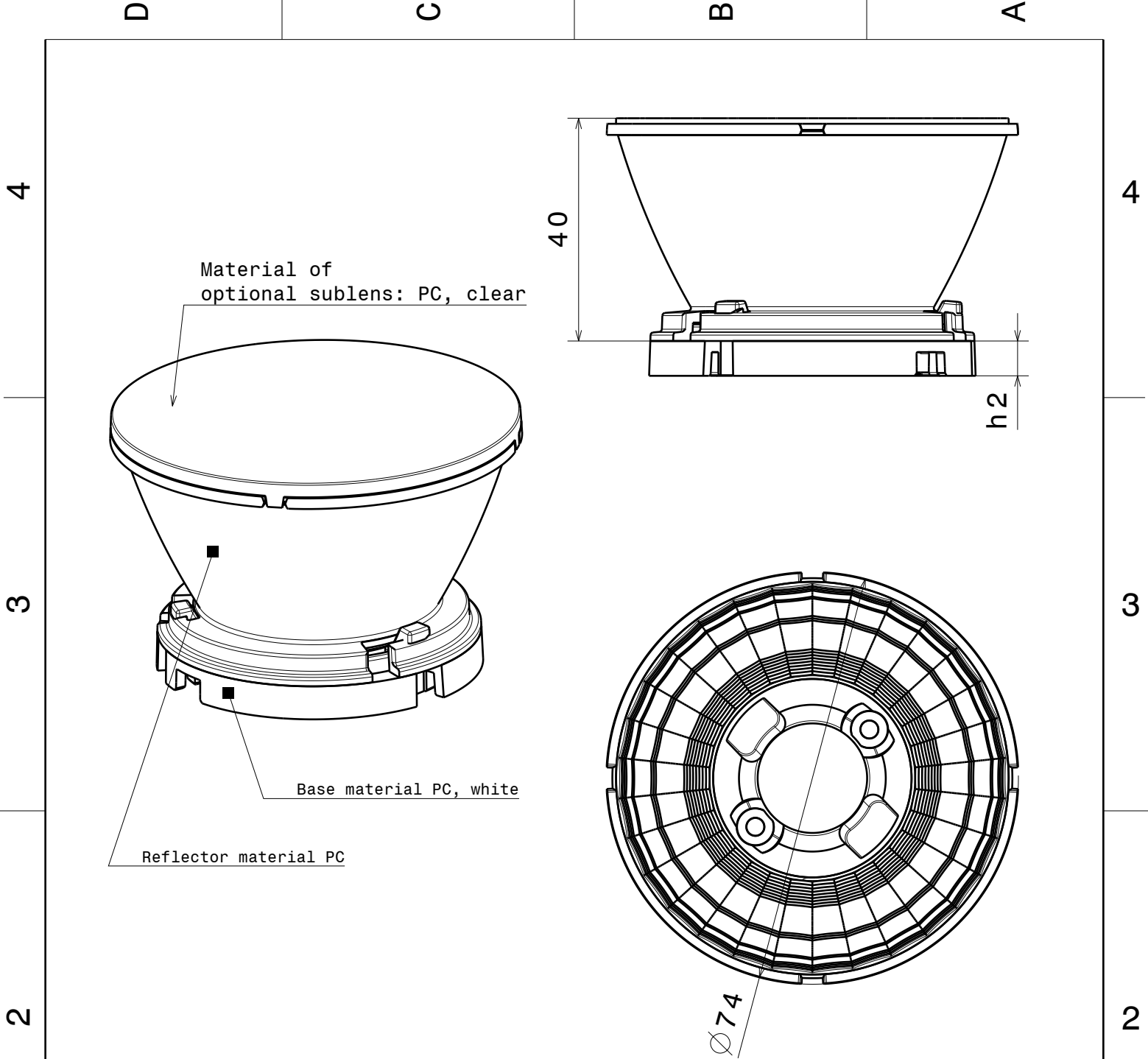
OPTICAL PROPERTIES

LED	Viewing Angle	Light Beam	Efficiency	cd/lm	Connector
CXA/B 25xx	22 deg	Spot	86 %	3.200	-



Relative intensity of CN13344_LENINA-S-CXA25





NOTE:

Using optional sublens, add 2.1mm to the system height

Dimension 'h2' varies from 4.5mm to 7mm depending on the LED specific base part

This drawing is our property. It can't be reproduced or communicated without our written agreement.



Ledil Oy
Salorankatu 10
FIN-24240 SALO
Finland

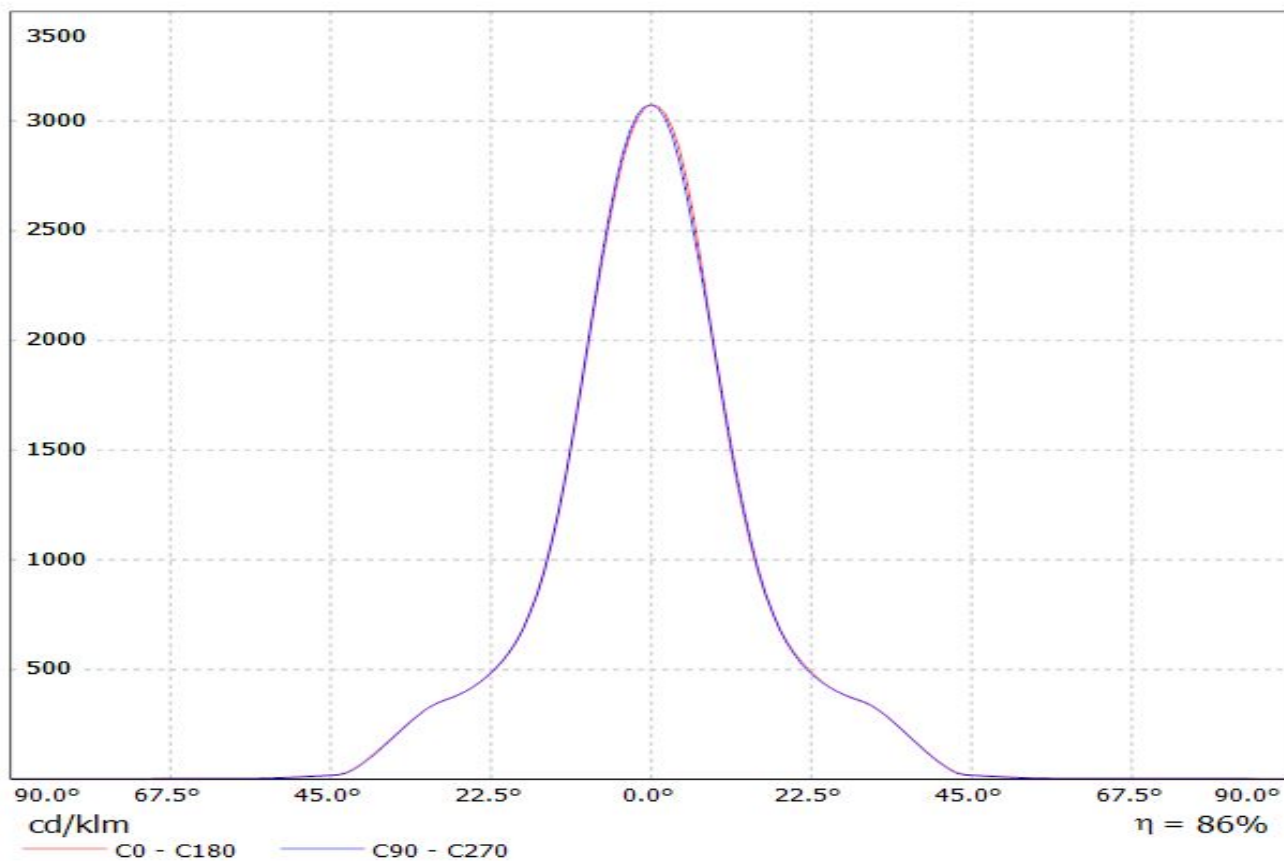
DRAWING TITLE

Datasheet Lenina series

DRAWN BY ks		DATE 23.04.2014		SIZE A4		DRAWING NUMBER --		REV 1	
CHECKED BY		DATE		SCALE 1:1		WEIGHT (g)		SHEET 1/1	
DESIGNED BY pl		DATE 08.03.2012							

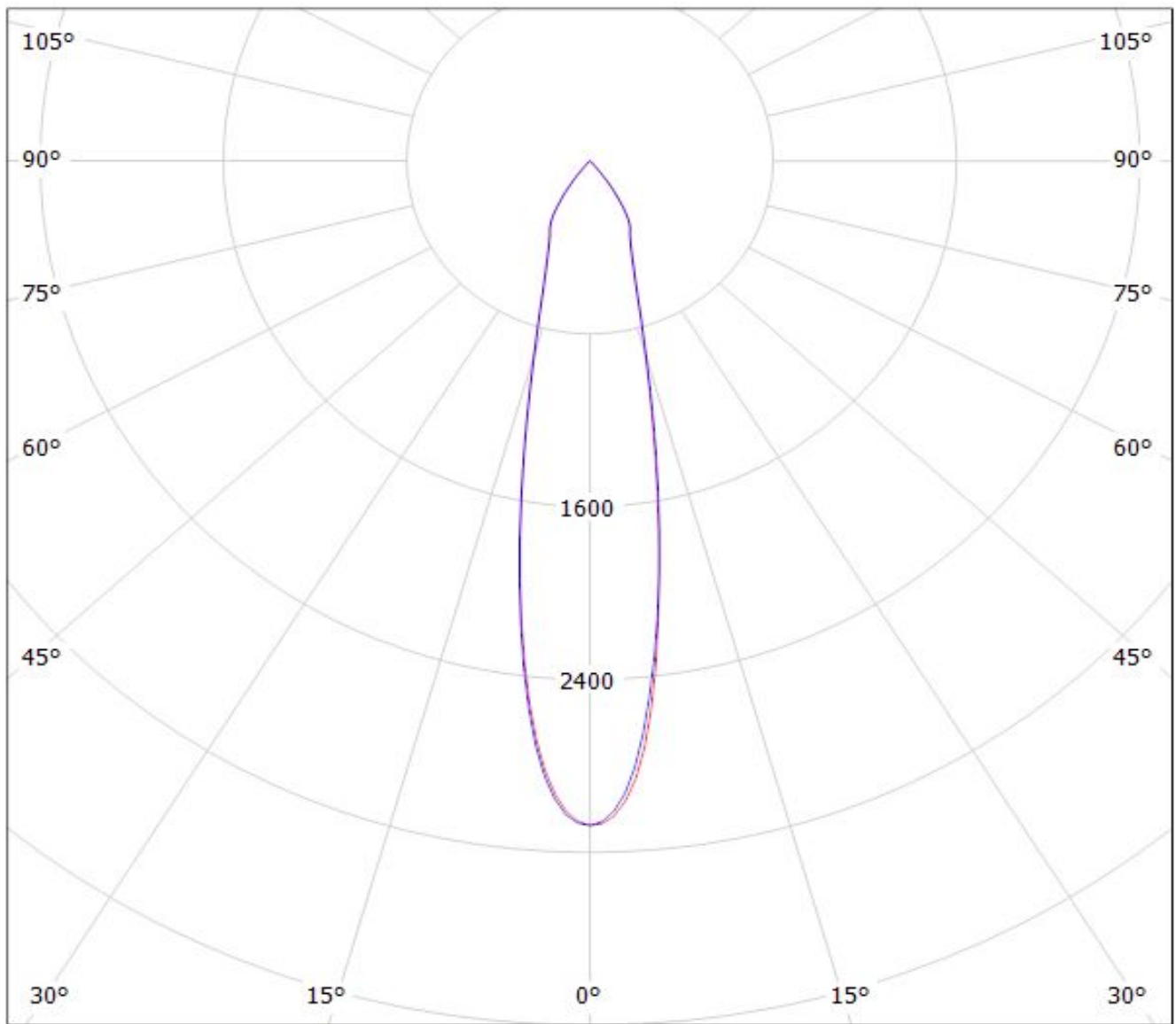
Luminaire: LEDiL Oy CN13344_LENINA-S_(CXA25) Eff.86.4%

Lamps: 1 x CREE_CXA25_(2520-7A-N4-N0U) 888.265lm@250mA CCT=3000K P=8.58457W I=249.9mA



Luminaire: LEDiL Oy CN13344_LENINA-S_(CXA25) Eff.86.4%

Lamps: 1 x CREE_CXA25_(2520-7A-N4-N0U) 888.265lm@250mA CCT=3000K P=8.58457W I=249.9mA



cd/klm

$\eta = 86\%$

— C0 - C180

— C90 - C270

NOTE: The typical divergence will be changed by different color, chip size and chip position tolerance. The typical total divergence is the full angle measured where the luminous intensity is half of the peak value.