

## DETAILS

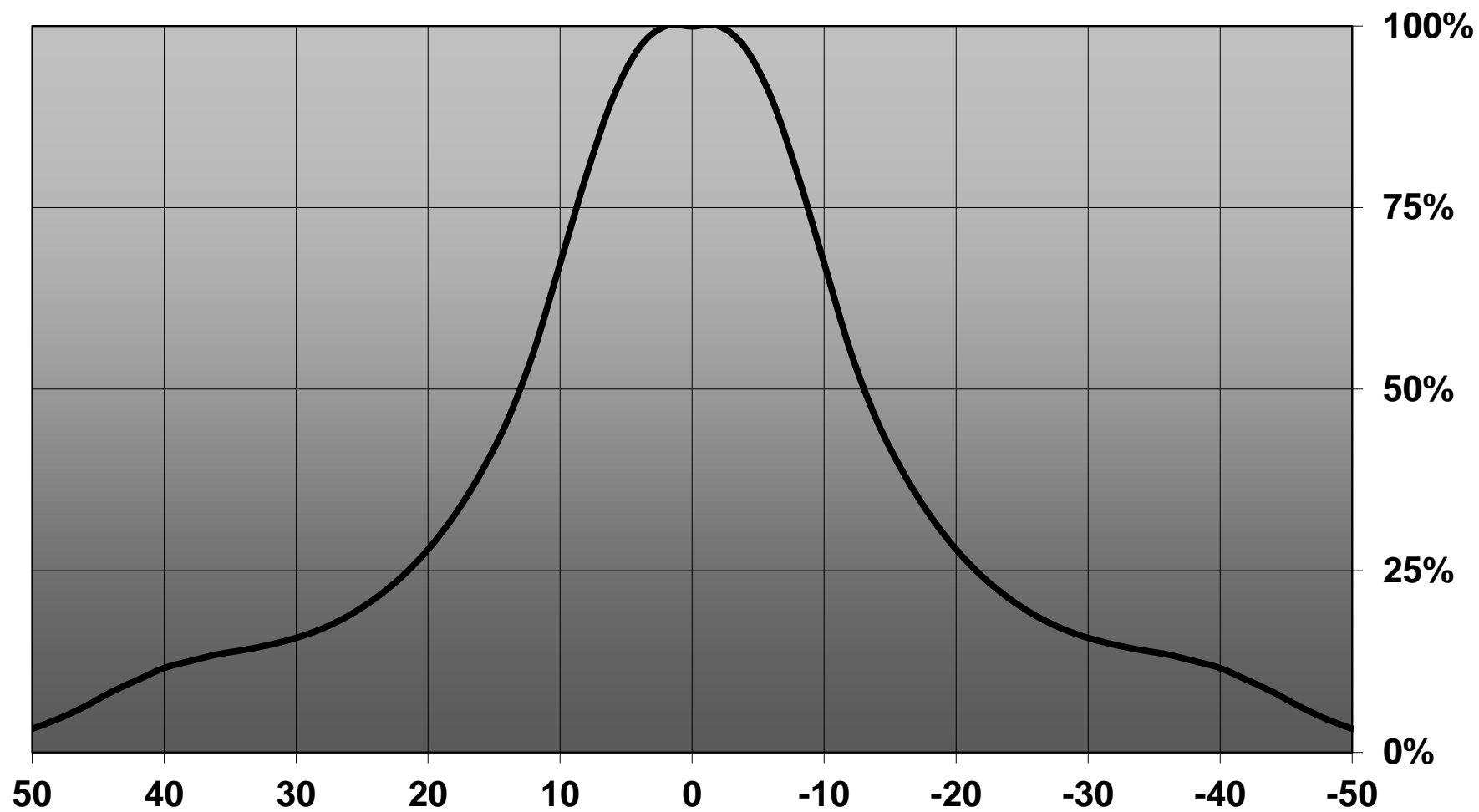
<b>Product Number</b>	CA12239_MINNIE-M
<b>Family</b>	Minnie
<b>Type</b>	RefAssy
<b>Color</b>	black
<b>Diameter</b>	35 mm
<b>Height</b>	15,8 mm
<b>Style</b>	round
<b>Optic Material</b>	
<b>Holder Material</b>	
<b>Fastening</b>	tape
<b>Status</b>	production ready
<b>ROHS Compliant</b>	Yes
<b>Date Updated</b>	25/06/2014

## OPTICAL PROPERTIES

LED	Viewing Angle	Light Beam	Efficiency	cd/lm	Connector
MT-G	26 deg	Medium	-	-	-
MT-G2	22 deg	Medium	88 %	2.600	-



Relative intensity of CA12239\_Minnie-M-MTG-assy



D

C

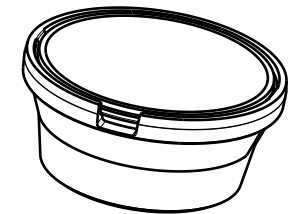
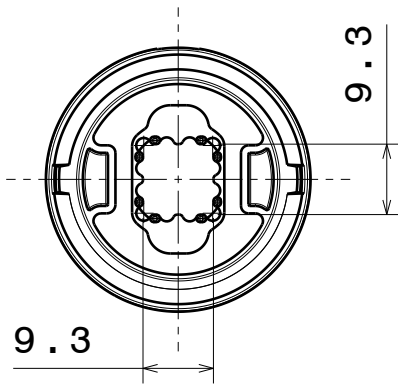
B

A

4

4

Bottom view

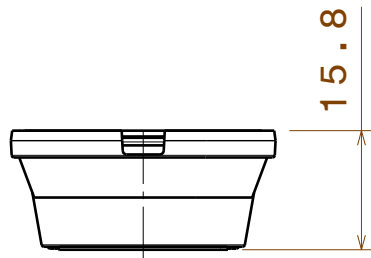


Isometric view

3

3

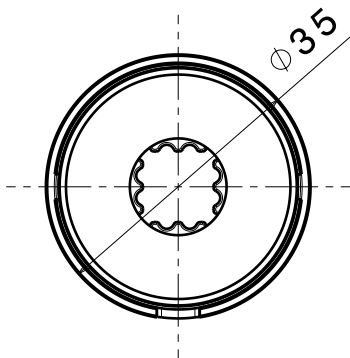
Front view



2

2

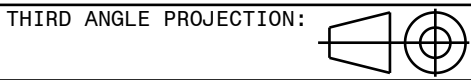
Top view



INDEX	PART NO	DESCRIPTION	MATERIAL	COLOUR
1	-	MINNIE_MTG_ASSEMBLY	Ref1 and holder PC, Tape PU foam	

Tolerances if not otherwise shown  
 According to DIN ISO 2768-1  
 Linear measures:  
 Up to 30mm class M, otherwise class C.  
 According to DIN ISO 2768-2  
 Form and position: class L

**LEDiL**  
 Ledil Oy  
 Salorankatu 10  
 FIN 24240 SALO  
 Finland



DRAWING TITLE  
**MINNIE\_MTG\_ASSEMBLY**

This drawing is the property of LEDiL Oy. It may not be reproduced, copied or communicated without a written agreement with LEDiL Oy."

SIZE PART NUMBER  
**A4** -

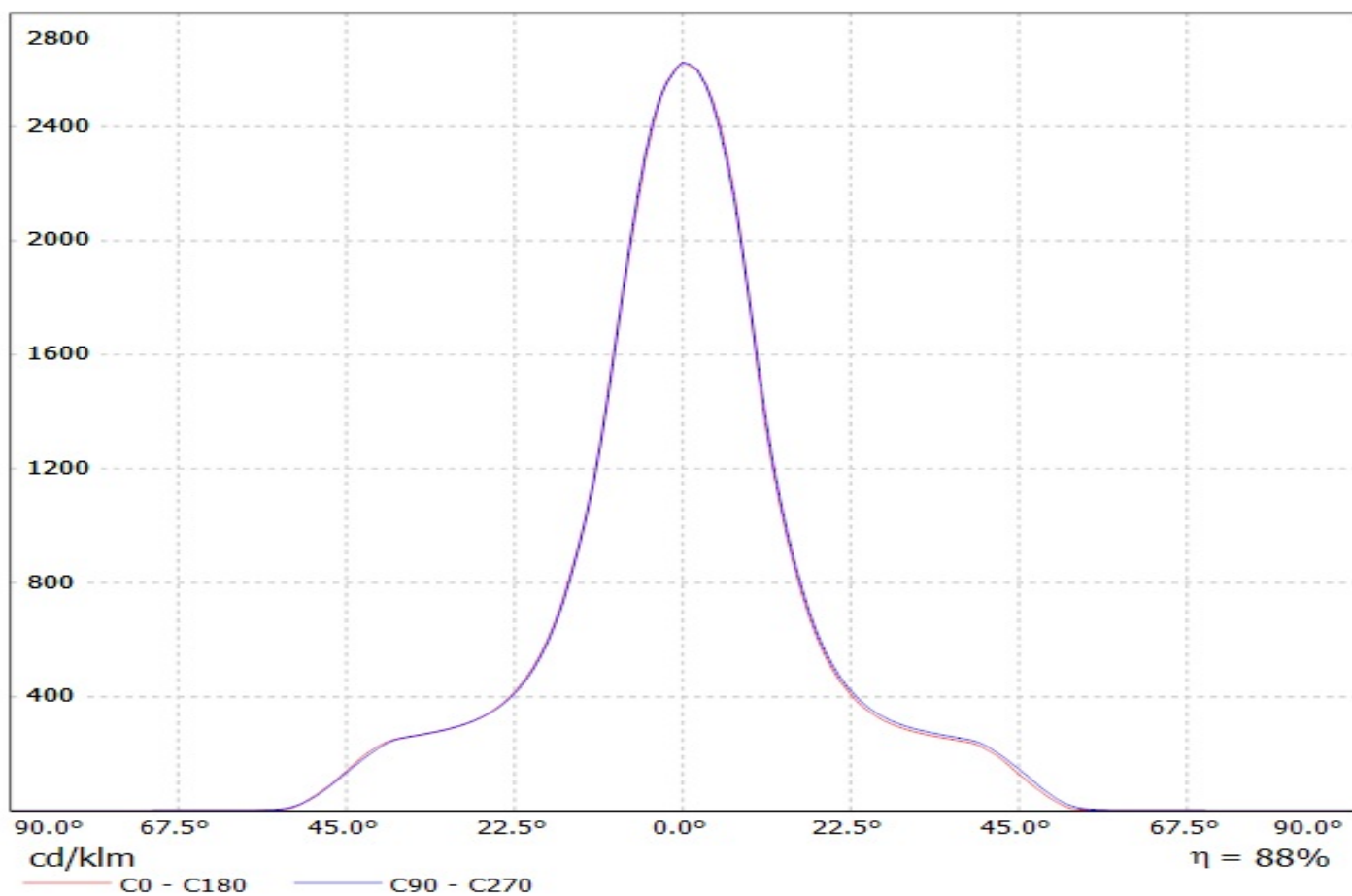
SCALE 1:1 WEIGHT - SHEET 1/1

D

A

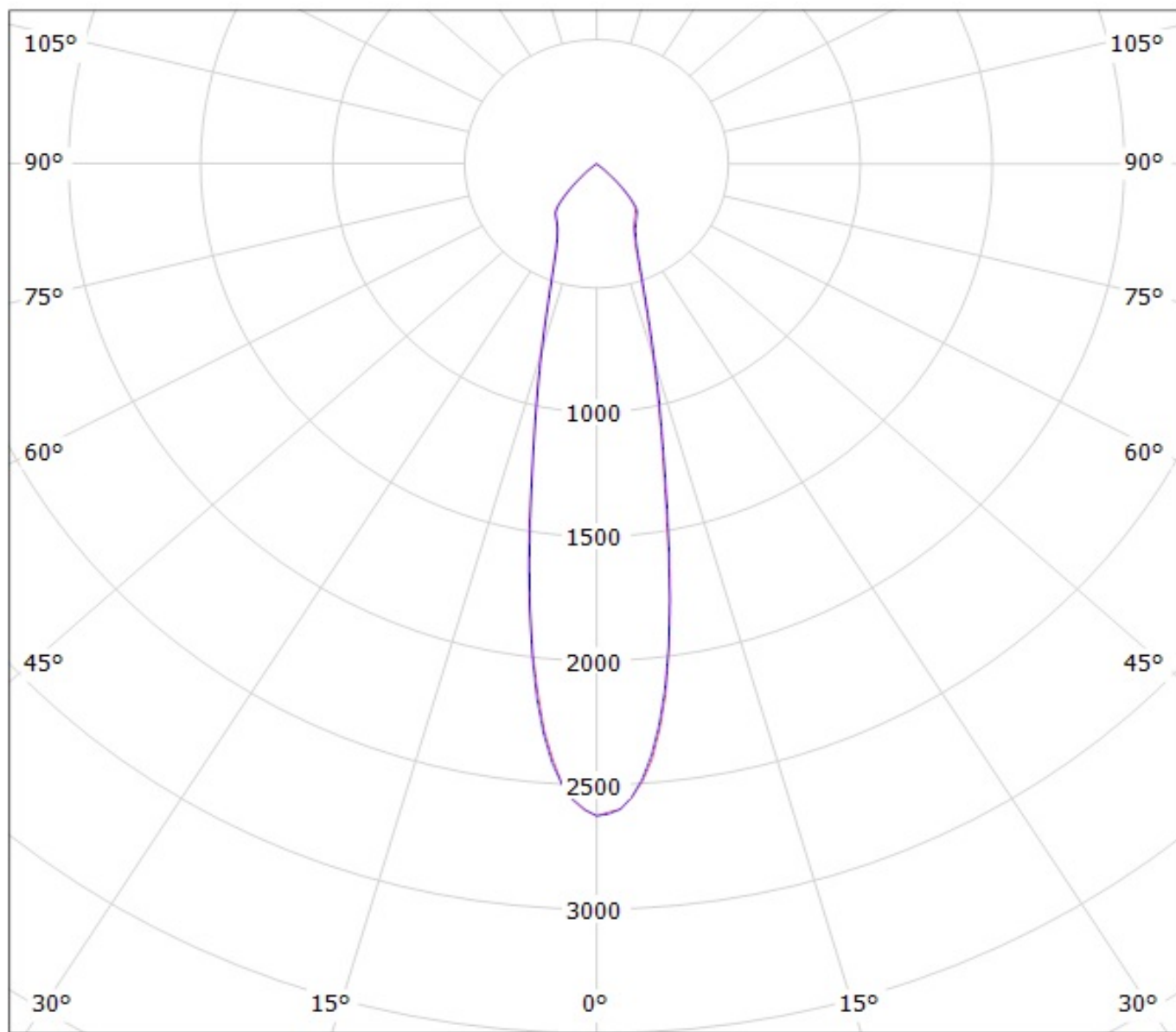
1

Luminaire: LEDiL Oy CA12239\_MINNIE-M\_(MT-G2)  
Lamps: 1 x Cree\_MT-G2\_177.2lm@250mA\_P=1.40384W\_I=249.9mA



Luminaire: LEDiL Oy CA12239\_MINNIE-M\_(MT-G2)

Lamps: 1 x Cree\_MT-G2\_177.2lm@250mA\_P=1.40384W\_I=249.9mA



cd/klm

— C0 - C180

— C90 - C270

$\eta = 88\%$

**NOTE: The typical divergence will be changed by different color, chip size and chip position tolerance. The typical total divergence is the full angle measured where the luminous intensity is half of the peak value.**