



PRODUCT DATASHEET

Minnie series

last update 25/6/2014

DETAILS

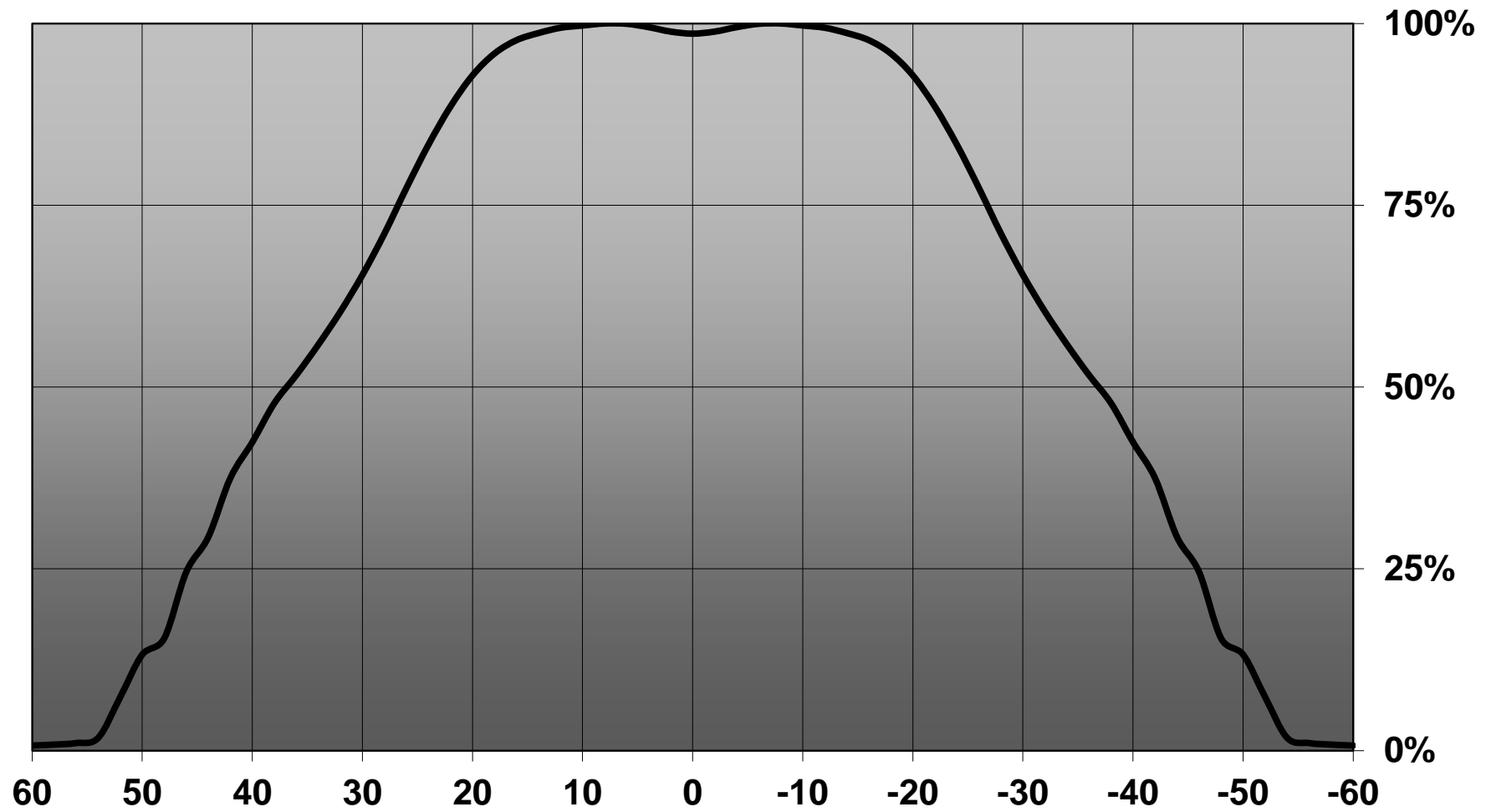
Product Number	CA12240_MINNIE-WWW
Family	Minnie
Type	RefAssy
Color	black
Diameter	35 mm
Height	15,8 mm
Style	round
Optic Material	
Holder Material	
Fastening	tape
Status	production ready
ROHS Compliant	Yes
Date Updated	25/06/2014

OPTICAL PROPERTIES

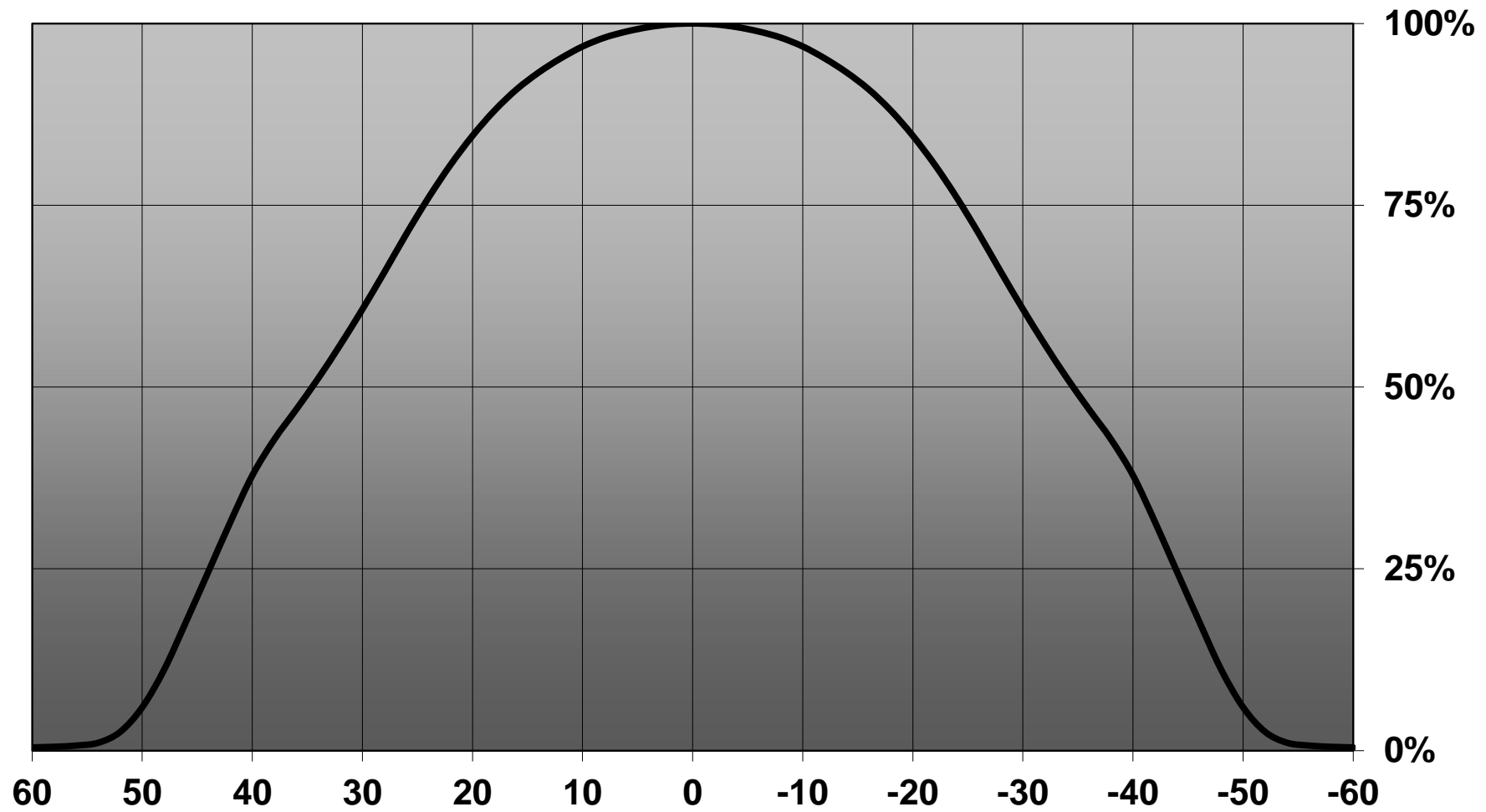
LED	Viewing Angle	Light Beam	Efficiency	cd/lm	Connector
MT-G	74 deg	WWW-class	-	-	-
MT-G2	69 deg	WWW-class	89 %	-	-



Relative intensity of CA12240_Minnie-WWW-MTG-assy



Relative intensity of CA12240_MINNIE-WWW (MT-G Gen II)



D

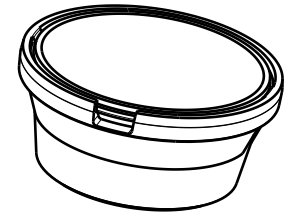
C

B

A

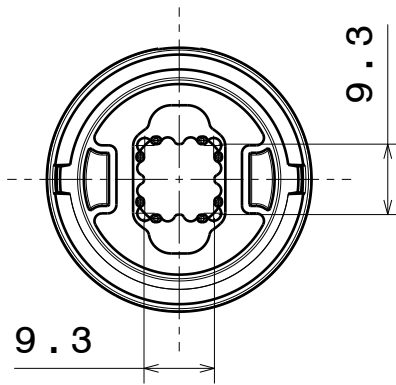
4

4

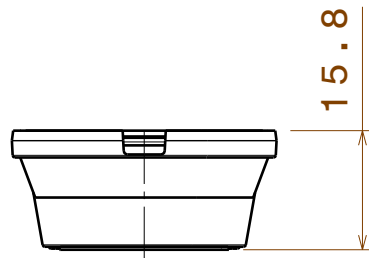


Isometric view

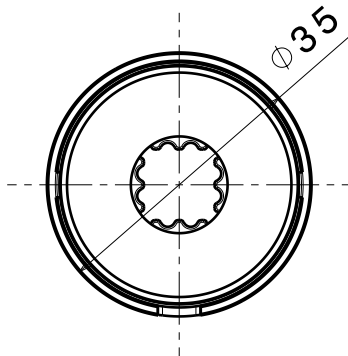
Bottom view



Front view



Top view



3

3

2

2

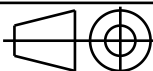
INDEX	PART NO	DESCRIPTION	MATERIAL	COLOUR
1	-	MINNIE_MTG_ASSEMBLY	Ref1 and holder PC, Tape PU foam	

Tolerances if not otherwise shown
According to DIN ISO 2768-1
Linear measures:
Up to 30mm class M, otherwise class C.
According to DIN ISO 2768-2
Form and position: class L

LEDiL

Ledil Oy
Salorankatu 10
FIN 24240 SALO
Finland

THIRD ANGLE PROJECTION:



DRAWING TITLE

MINNIE_MTG_ASSEMBLY

This drawing is the property
of LEDiL Oy. It may not be
reproduced, copied or
communicated without a written
agreement with LEDiL Oy."

SIZE PART NUMBER

A4

-

SCALE 1:1 WEIGHT

-

SHEET 1/1

1

1

D

A

NOTE: The typical divergence will be changed by different color, chip size and chip position tolerance. The typical total divergence is the full angle measured where the luminous intensity is half of the peak value.