

## DETAILS

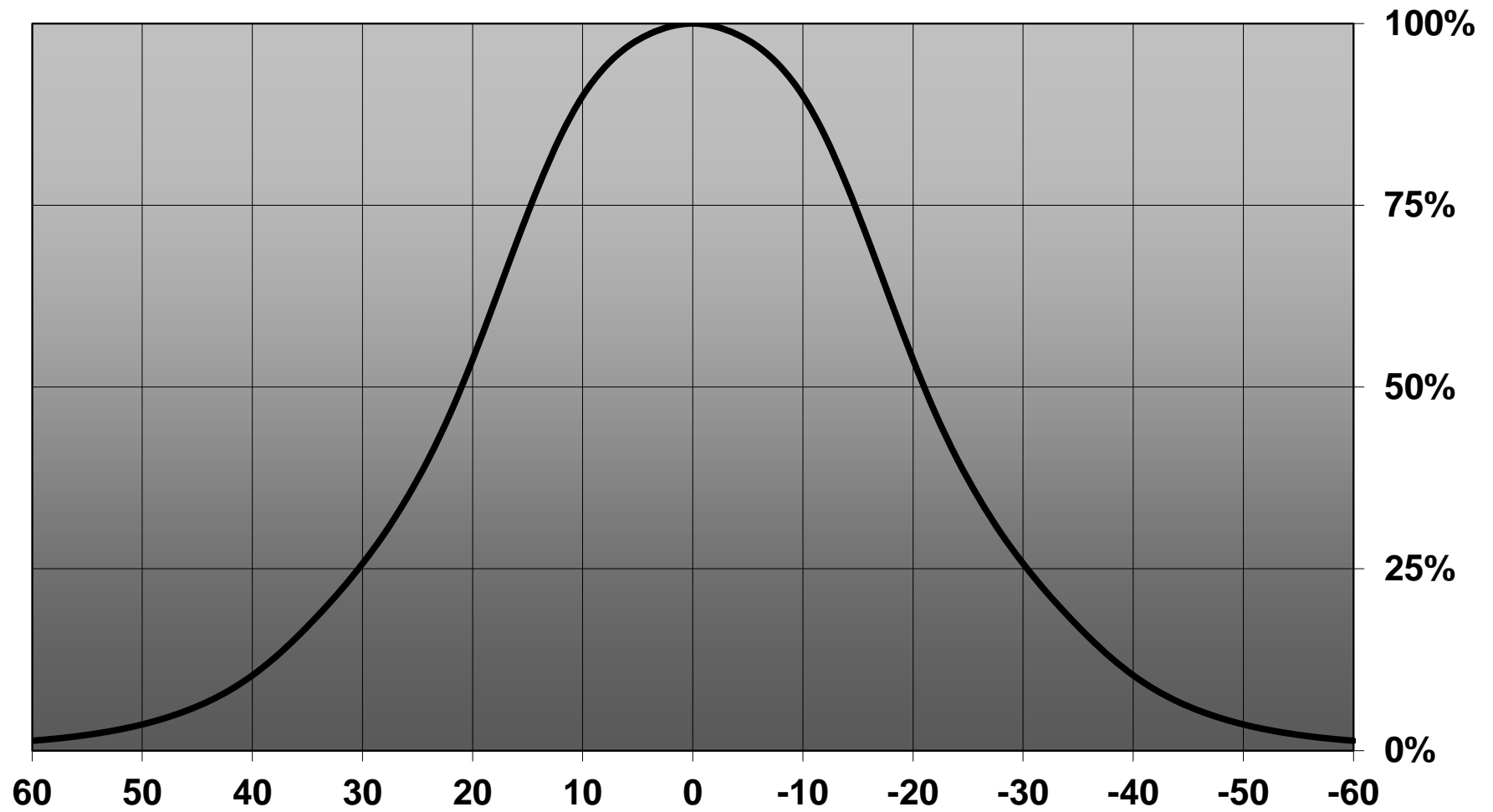
<b>Product Number</b>	CA12504_MIRA-W
<b>Family</b>	Mira
<b>Type</b>	Assembly
<b>Color</b>	white
<b>Diameter</b>	35 mm
<b>Height</b>	15,8 mm
<b>Style</b>	round
<b>Optic Material</b>	PC
<b>Holder Material</b>	
<b>Fastening</b>	tape
<b>Status</b>	production ready
<b>ROHS Compliant</b>	Yes
<b>Date Updated</b>	26/06/2015

## OPTICAL PROPERTIES

LED	Viewing	Light	Effi-		Connector
	Angle	Beam	ciency	cd/lm	
MT-G	44 deg	Wide	82 %	-	-
MT-G2	38 deg	Wide	82 %	1.600	-
Duris P10	sim: 36	Wide	sim: 93 %	sim: 1.900	-



**Relative intensity of CA12504\_MIRA-W (MT-G Gen II)**



D

C

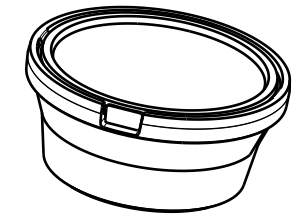
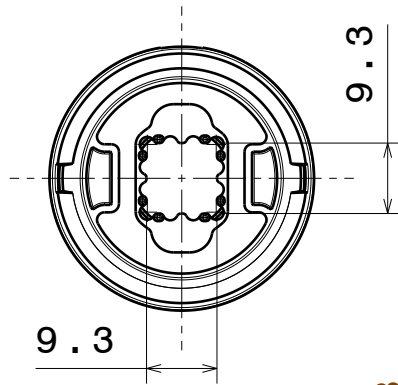
B

A

4

4

Bottom view

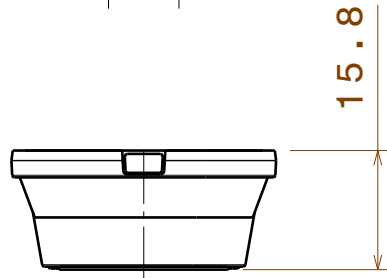


Isometric view

3

3

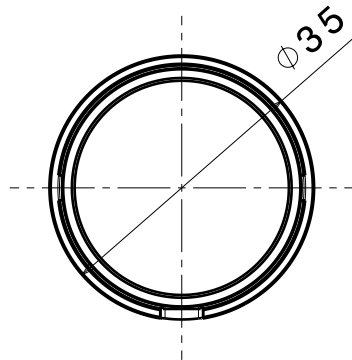
Front view



2

2

Top view



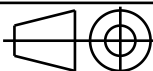
INDEX	PART NO	DESCRIPTION	MATERIAL	COLOUR
1	-	MIRA_MTG_ASSEMBLY	Lens and holder PC, Tape PU foam	

Tolerances if not otherwise shown  
According to DIN ISO 2768-1  
Linear measures:  
Up to 30mm class M, otherwise class C.  
According to DIN ISO 2768-2  
Form and position: class L

LEDiL

Ledil Oy  
Salorankatu 10  
FIN 24240 SALO  
Finland

THIRD ANGLE PROJECTION:



DRAWING TITLE

MIRA\_MTG\_ASSEMBLY

This drawing is the property  
of LEDiL Oy. It may not be  
reproduced, copied or  
communicated without a written  
agreement with LEDiL Oy."

SIZE PART NUMBER

A4

-

SCALE 1:1 WEIGHT

-

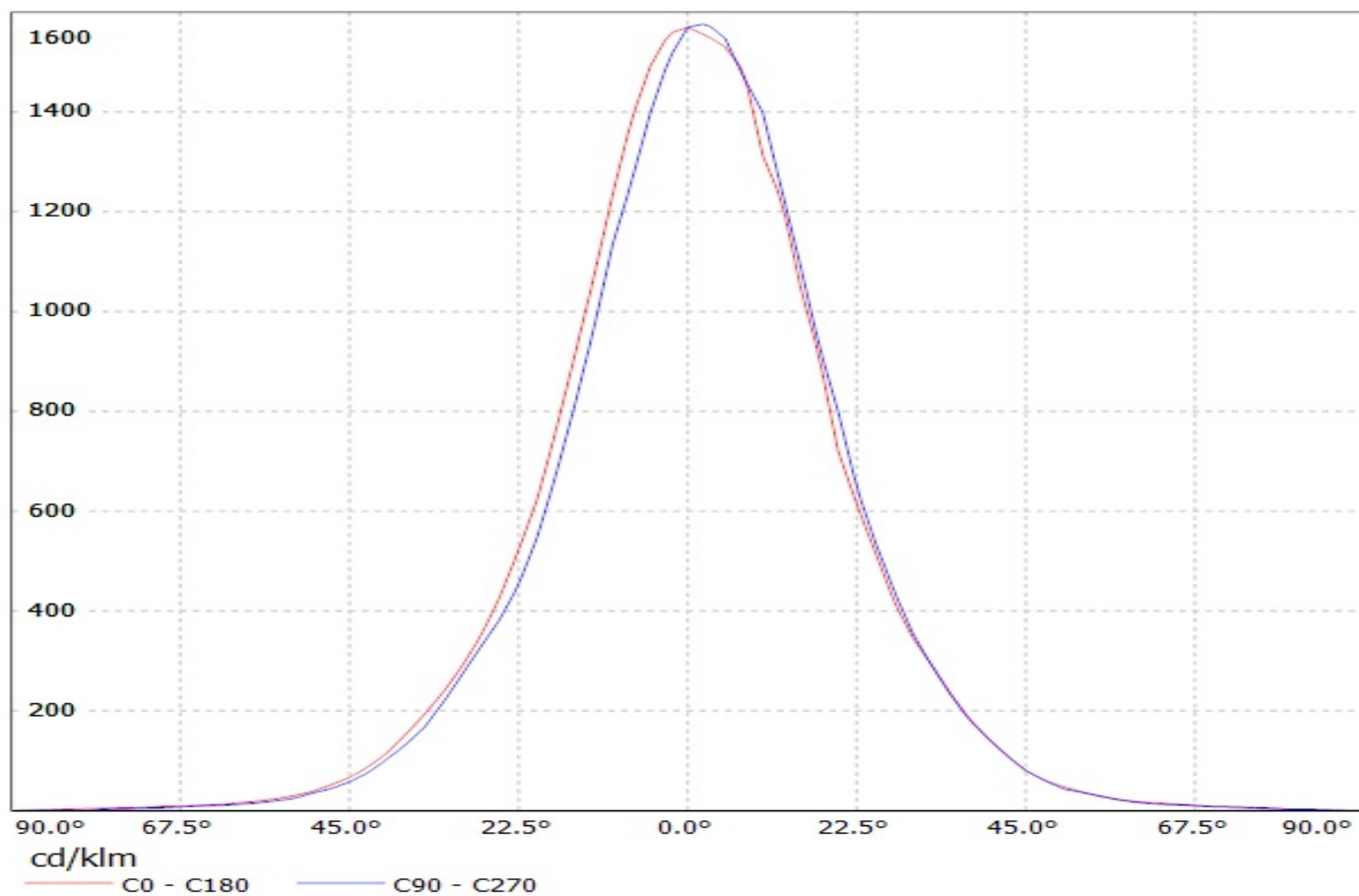
SHEET 1/1

D

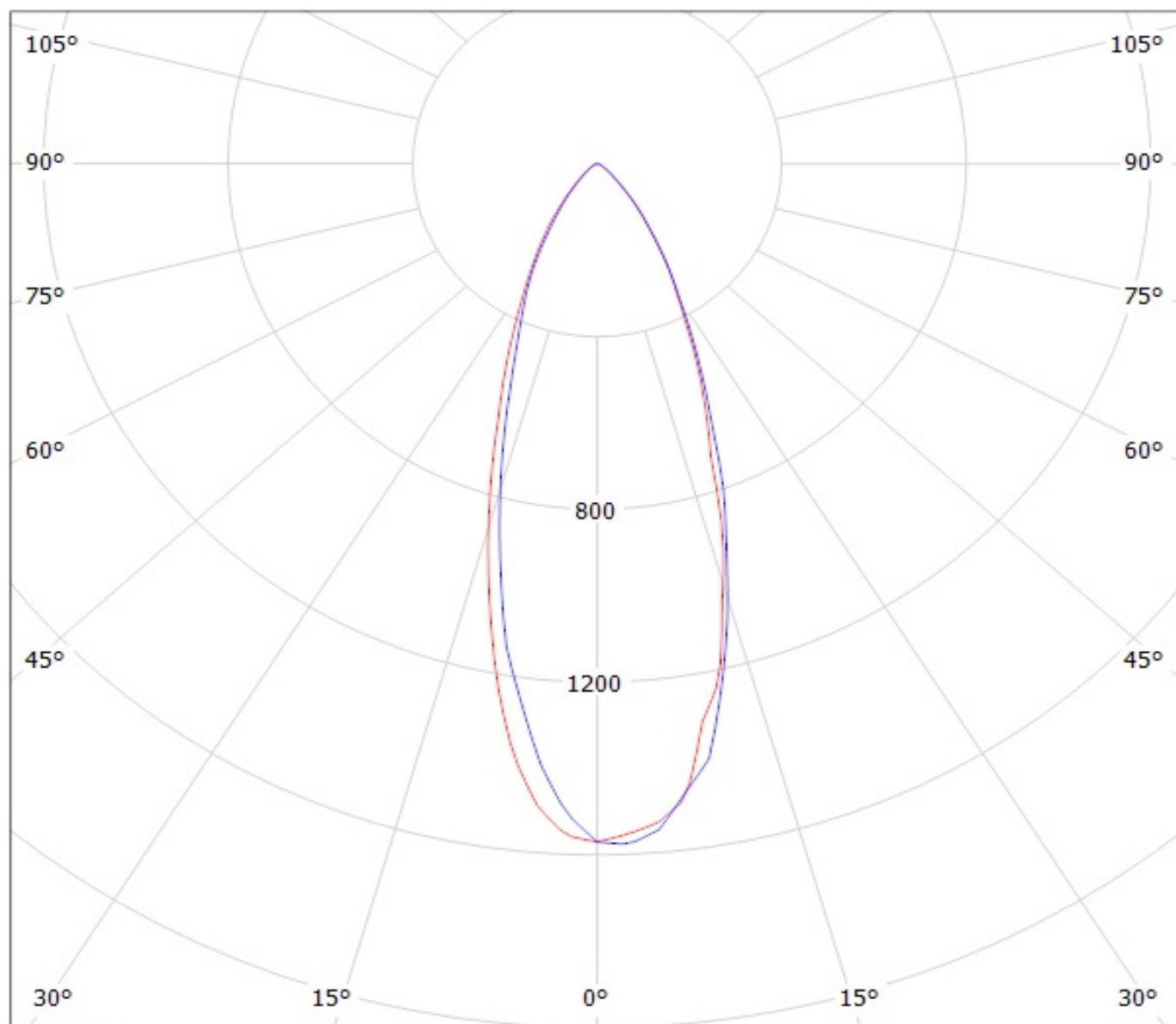
A

1

Luminaire: Ledil Oy CA12504\_MIRA-W (Cree MT-G G2 172lm@ 250mA) Efficiency=82%  
Lamps: 1 x Cree MT-G G2 172lm@ 250mA



Luminaire: Ledil Oy CA12504\_MIRA-W (Cree MT-G G2 172lm@ 250mA) Efficiency=82%  
Lamps: 1 x Cree MT-G G2 172lm@ 250mA



cd/klm

— C0 - C180

— C90 - C270

**NOTE: The typical divergence will be changed by different color, chip size and chip position tolerance. The typical total divergence is the full angle measured where the luminous intensity is half of the peak value.**