

## DETAILS

<b>Product Number</b>	CA11256_STRADA-DW
<b>Family</b>	Strada-D
<b>Type</b>	Assembly
<b>Color</b>	clear
<b>Diameter</b>	19,6 x 15,7 mm
<b>Height</b>	9 mm
<b>Style</b>	rectang
<b>Optic Material</b>	PMMA
<b>Holder Material</b>	
<b>Fastening</b>	screw, pin, tape
<b>Status</b>	production ready
<b>ROHS Compliant</b>	Yes
<b>Date Updated</b>	19/06/2014



## OPTICAL PROPERTIES

LED	Viewing Angle	Light Beam	Efficiency	cd/lm	Connector
XP-G	88+148 deg	Streetligh...	92 %	0.840	-
XP-E	90+140 deg	Streetligh...	92 %	1.030	-
H35C0 (LEMWA33)	86+147 deg	Streetligh...	94 %	0.900	-
LUXEON Rebel	86+140 deg	Streetligh...	92 %	1.010	-
LUXEON Rebel ES	86+140 deg	Streetligh...	92 %	-	-
LUXEON A	86+140 deg	Streetligh...	92 %	-	-
LUXEON T	86+144 deg	Streetligh...	93 %	0.900	-
LUXEON H50-2	sim: 80+136	Streetligh...	sim: 93 %	sim: 1.100	-
LUXEON TX	54+144 deg	Streetligh...	94 %	0.980	-
NCSxx19A	86+148 deg	Streetligh...	92 %	-	-
NVSxx19A	86+148 deg	Streetligh...	92 %	-	-
NVSxx19B/NVSxx19C	sim: 80+140	Streetligh...	sim: 94 %	sim: 1.047	-
Oslon SSL 80	92+142 deg	Streetligh...	92 %	0.970	-
Oslon SSL 150	92+142 deg	Streetligh...	92 %	-	-
Z5	sim: 86+141	Streetligh...	92 %	-	-
Double Dome (GM2BB)	sim: 86+141	Streetligh...	92 %	-	-

D

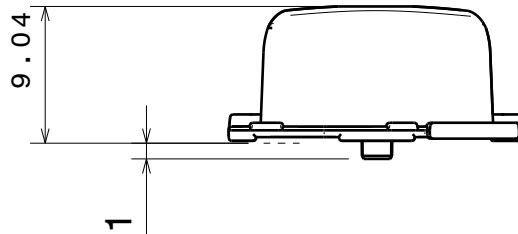
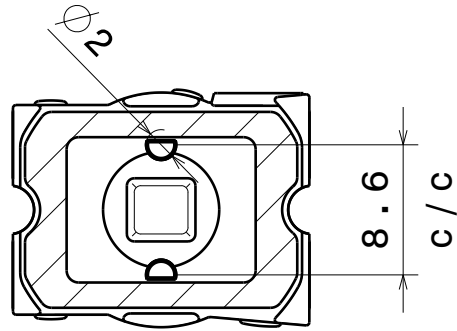
C

B

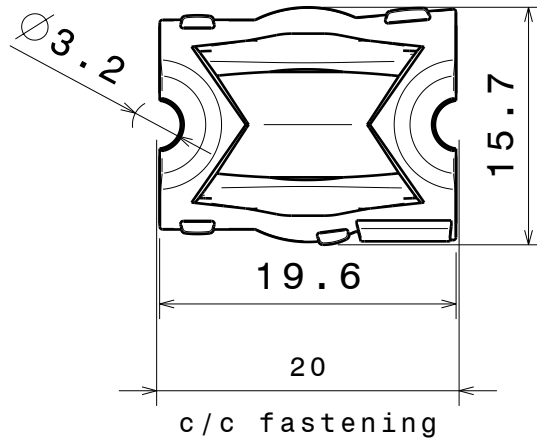
A



Isometric view  
Scale: 1:1



Front view



Top view

Material:  
lens PMMA  
tape PU foam with PSA

This drawing is our property.  
It can't be reproduced  
or communicated without  
our written agreement.



L  
T  
F  
F

e  
e  
i  
i  
N  
n

d

DRAWING TITLE

Datasheet Strada-DW assy

DRAWN BY

DATE

14.01.2010

CHECKED BY

DATE

01.12.2009

DESIGNED BY

DATE

01.12.2009

SIZE

A4

DRAWING NUMBER

CA11256

REV

1

SCALE

2:1

WEIGHT (g)

SHEET

1/1

D

A

4

4

3

3

2

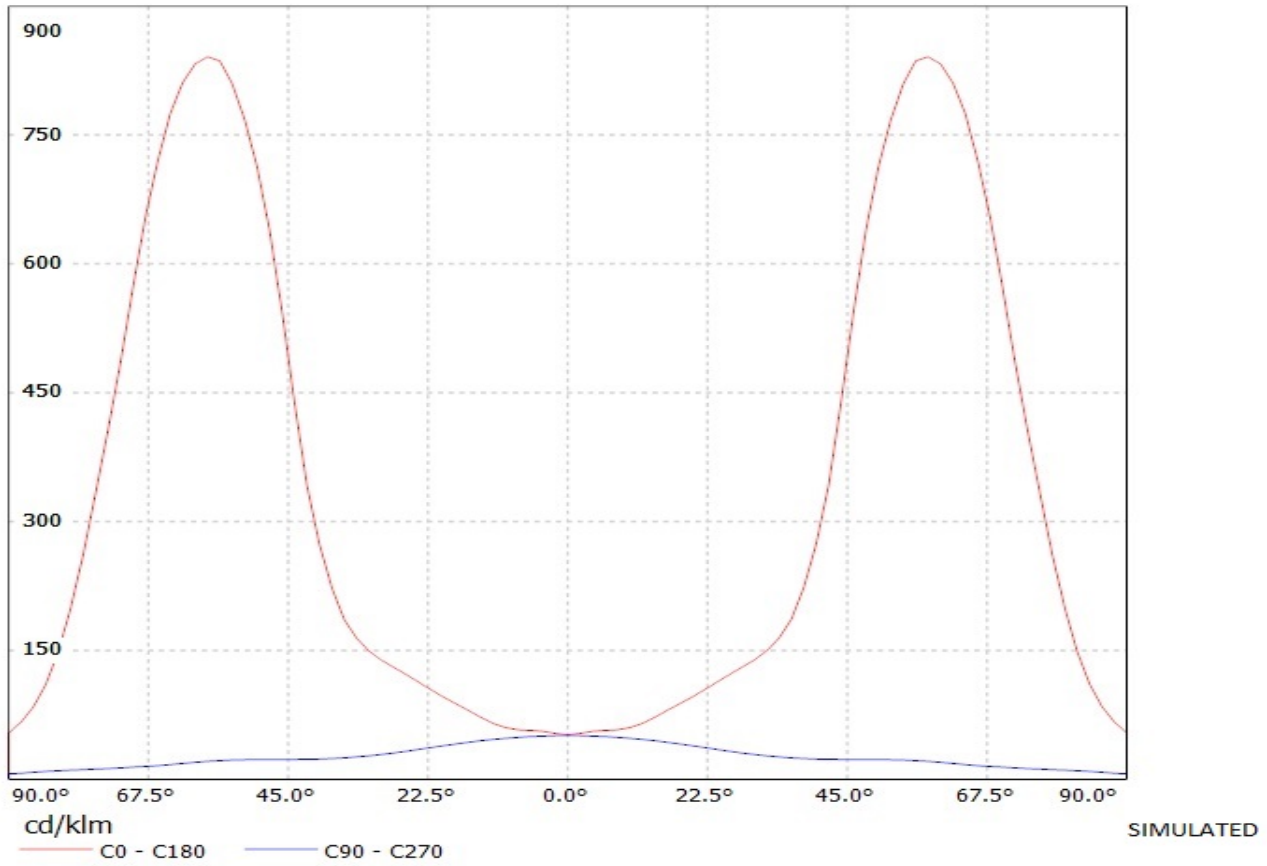
2

1

1

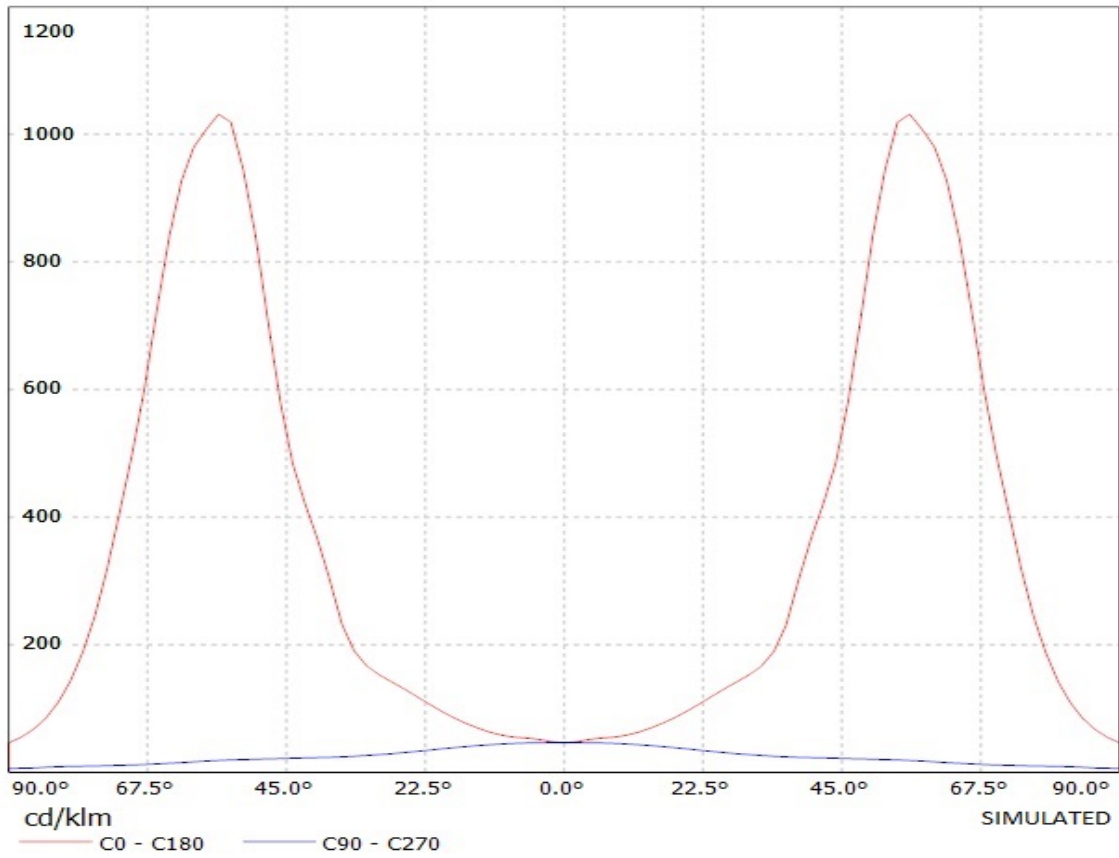
# Ledil Oy C11255\_Strada-DW-XP-G C11255\_Strada-DW-XP-G / LDC (Linear)

Luminaire: Ledil Oy C11255\_Strada-DW-XP-G C11255\_Strada-DW-XP-G  
Lamps: 1 x Cree XP-G (White)

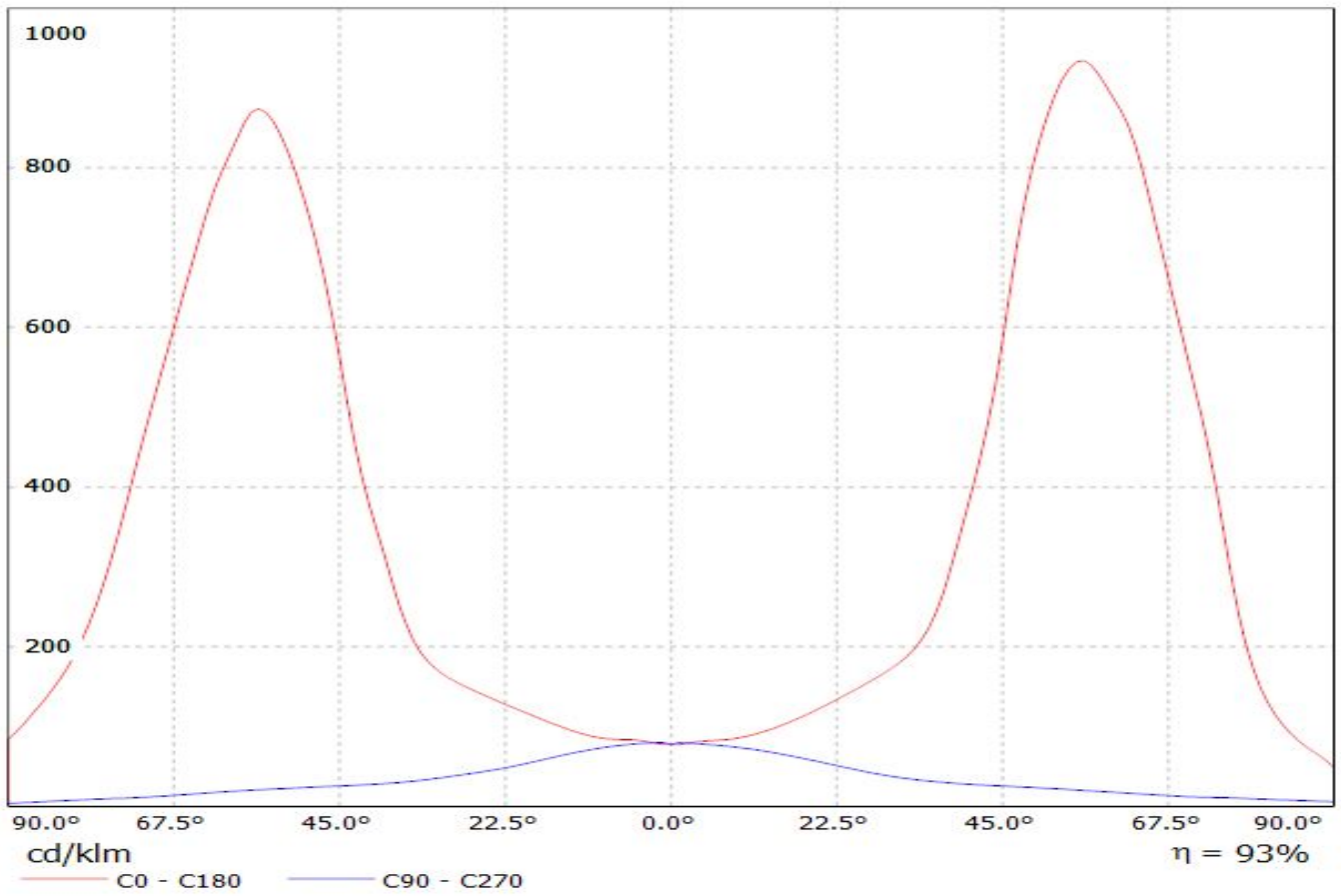


# Ledil Oy C11255\_Strada-DW-XP C11255\_Strada-DW-XP / LDC (Linear)

Luminaire: Ledil Oy C11255\_Strada-DW-XP C11255\_Strada-DW-XP  
Lamps: 1 x Cree XP-E (White)

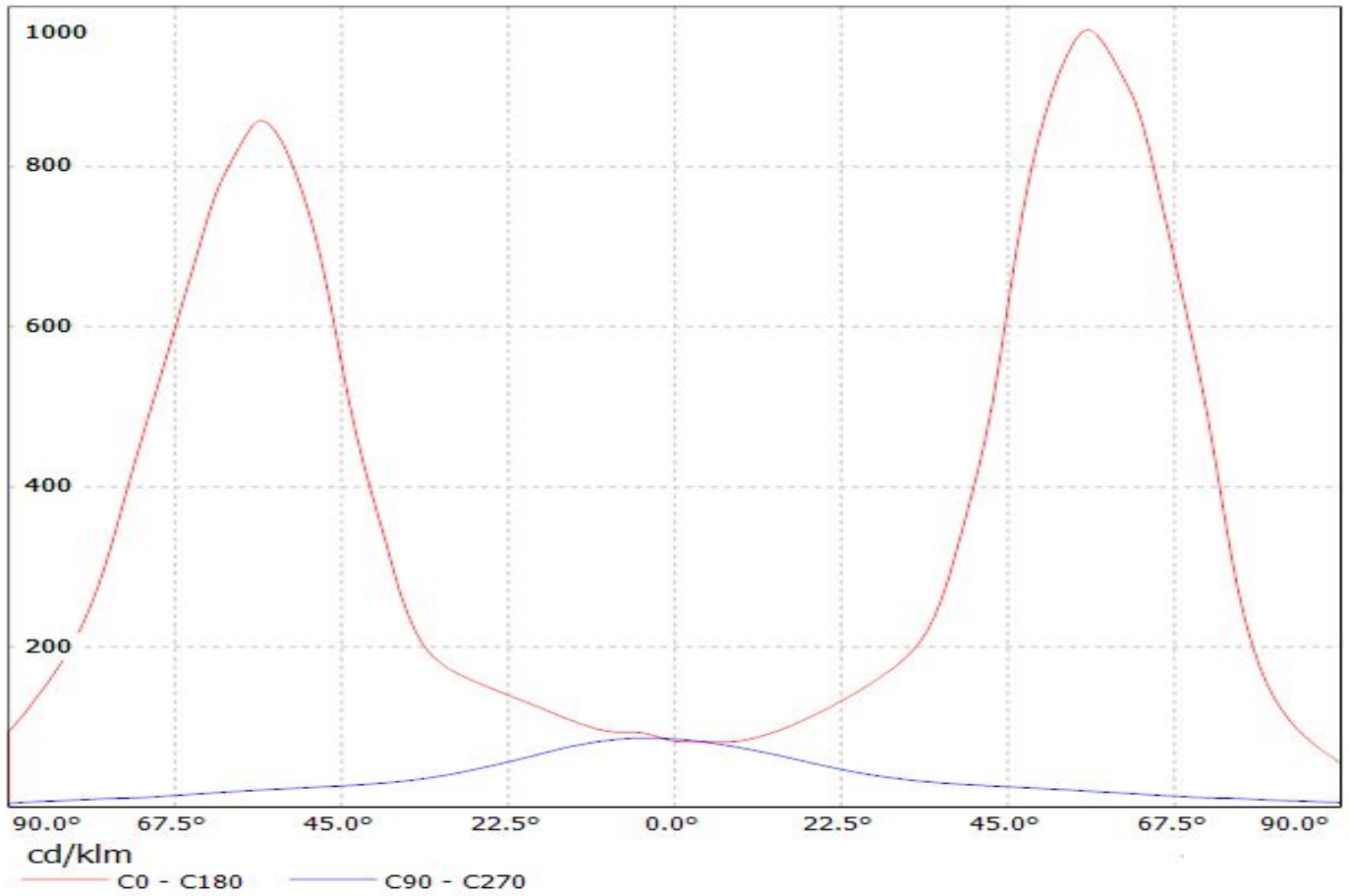


Luminaire: LEDiL Oy CA11256\_STRADA-DW\_(LUXEON\_T) Eff.92.6%  
Lamps: 1 x LUXEON T (74lm@250mA)



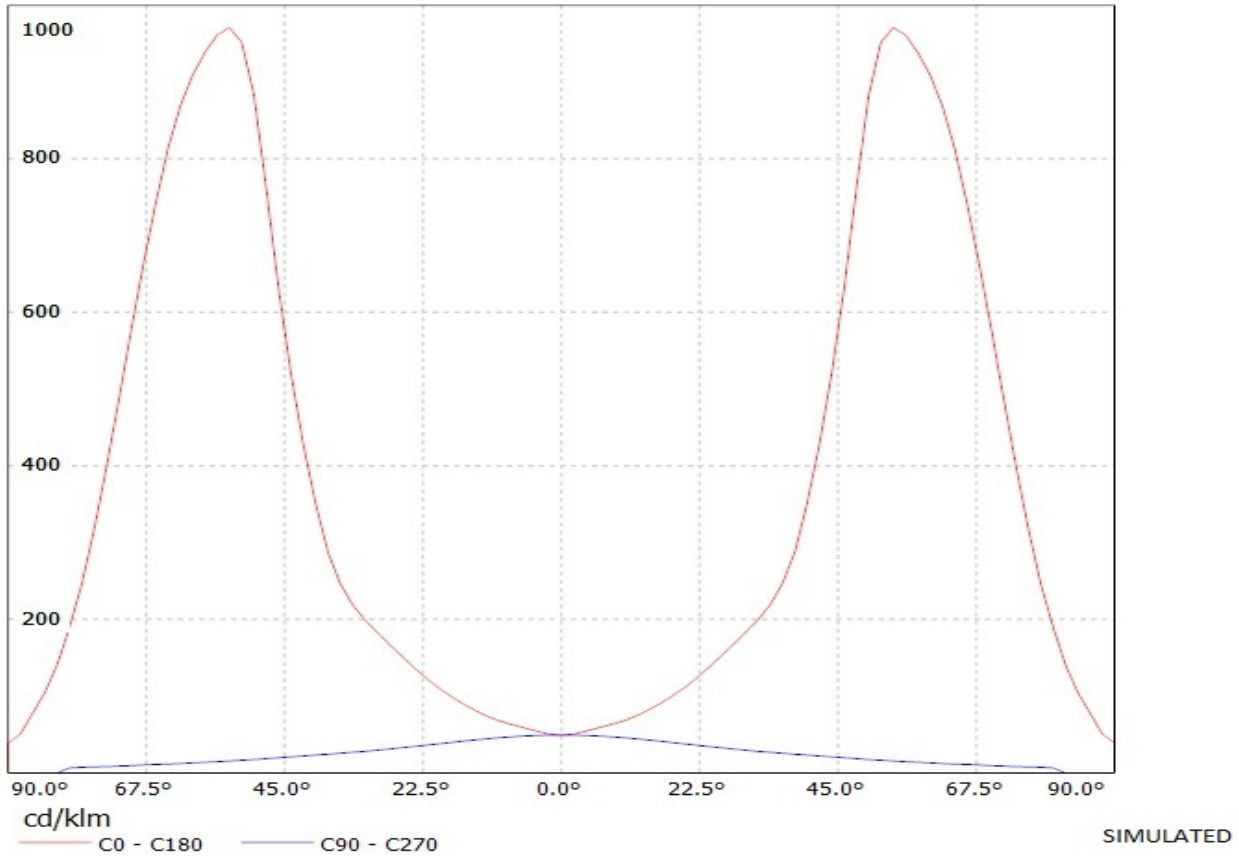
Luminaire: LEDiL Oy CA11256\_STRADA-DW\_(Luxeon\_TX)

Lamps: 1 x Luxeon\_TX\_(L1T2-3585)\_81.3157lm@250mA\_CCT=3500K\_P=0.742403W\_I=249.9mA



# Ledil Oy CA11256\_Strada-DW-OSL-tape CA11256\_Strada-DW-OSL-tape / LDC (Linear)

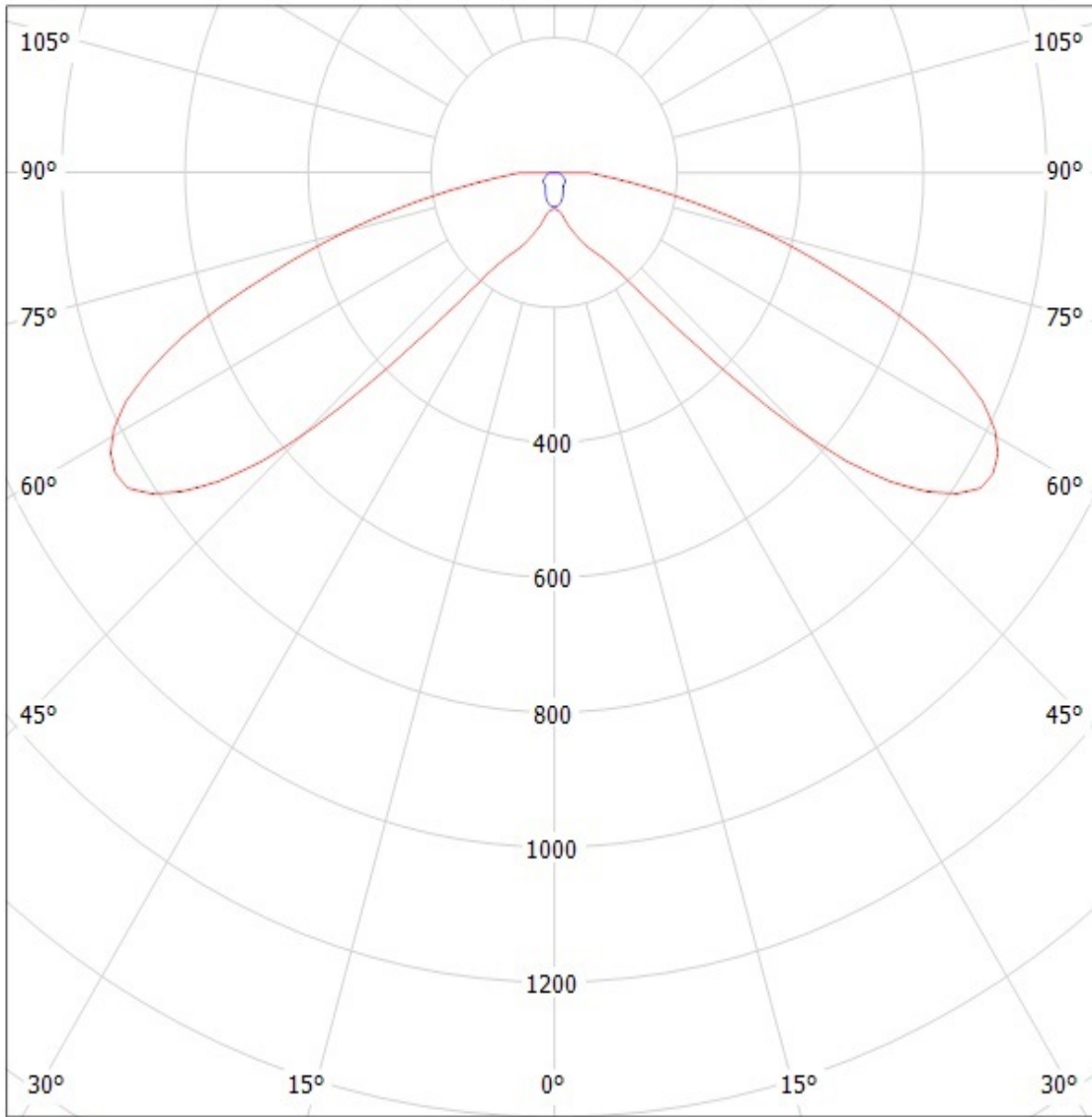
Luminaire: Ledil Oy CA11256\_Strada-DW-OSL-tape CA11256\_Strada-DW-OSL-tape  
Lamps: 1 x Osram Oslon (White)



# Ledil Oy C11255\_Strada-DW-XP-G C11255\_Strada-DW-XP-G / LDC (Polar)

Luminaire: Ledil Oy C11255\_Strada-DW-XP-G C11255\_Strada-DW-XP-G

Lamps: 1 x Cree XP-G (White)



cd/klm

— C0 - C180

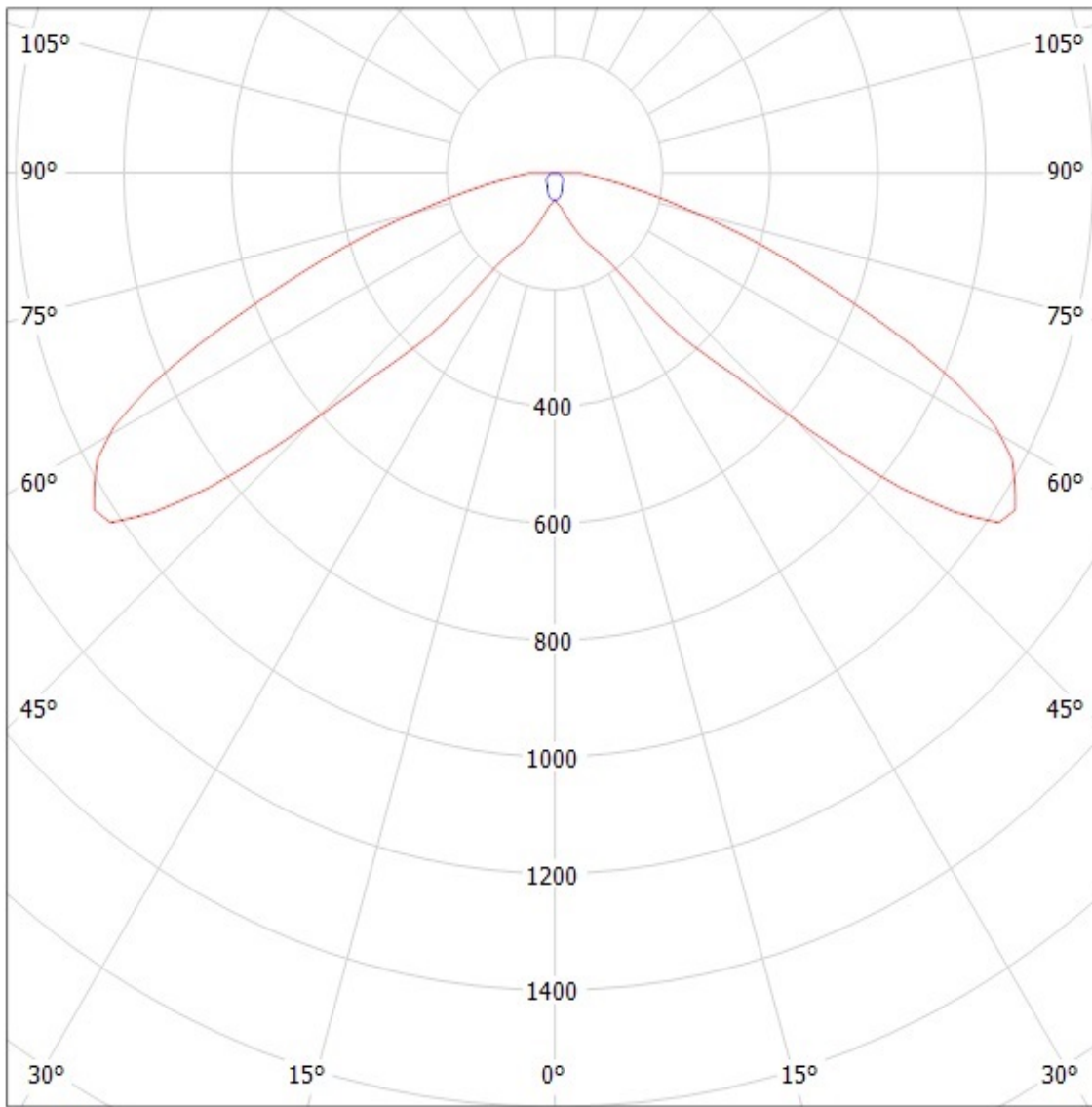
— C90 - C270

**SIMULATED**



# Ledil Oy C11255\_Strada-DW-XP C11255\_Strada-DW-XP / LDC (Polar)

Luminaire: Ledil Oy C11255\_Strada-DW-XP C11255\_Strada-DW-XP  
Lamps: 1 x Cree XP-E (White)

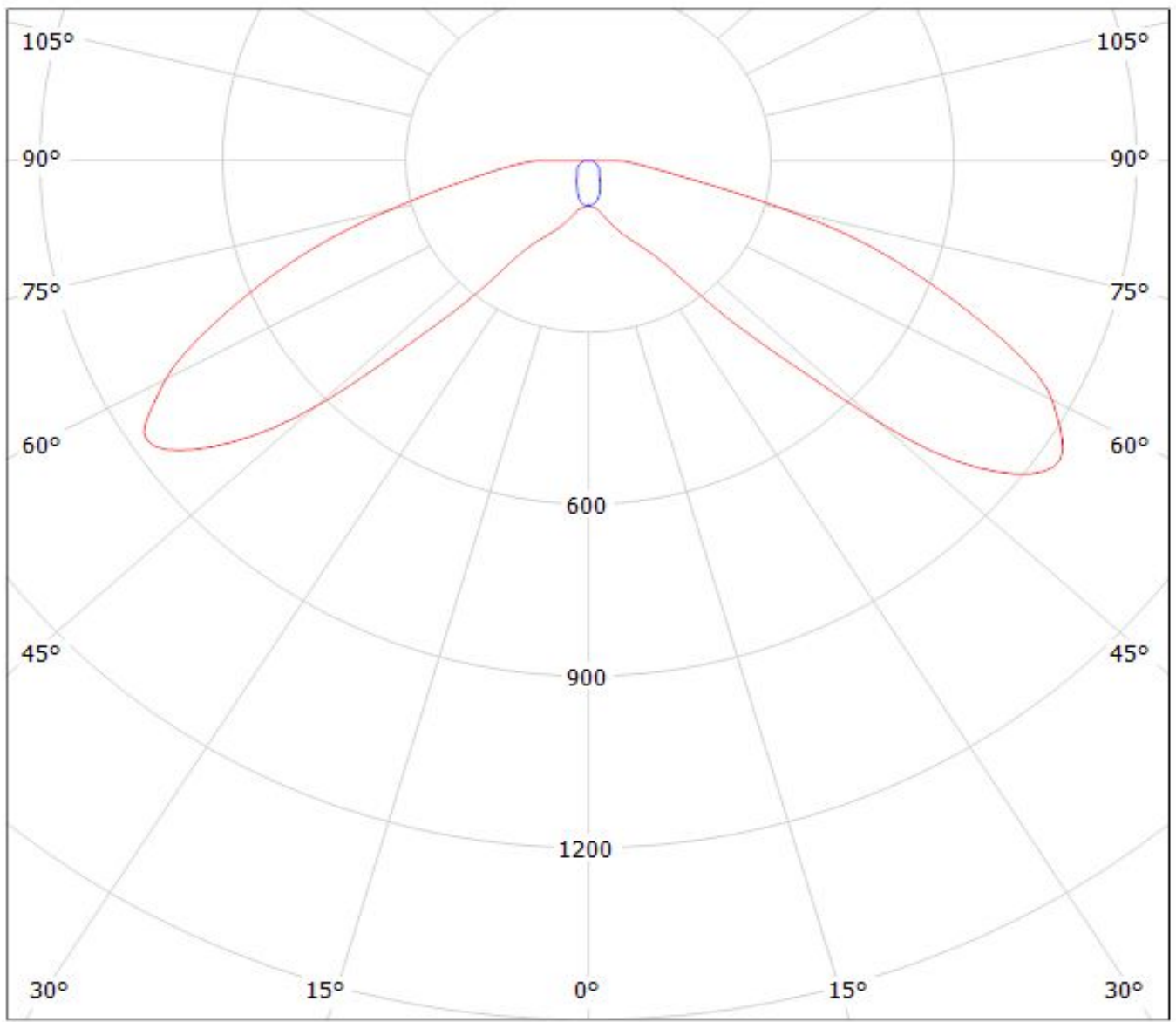


cd/klm

— C0 - C180    — C90 - C270

SIMULATED

Luminaire: LEDiL Oy CA11256\_STRADA-DW\_(LUXEON\_T) Eff.92.6%  
Lamps: 1 x LUXEON T (74lm@250mA)



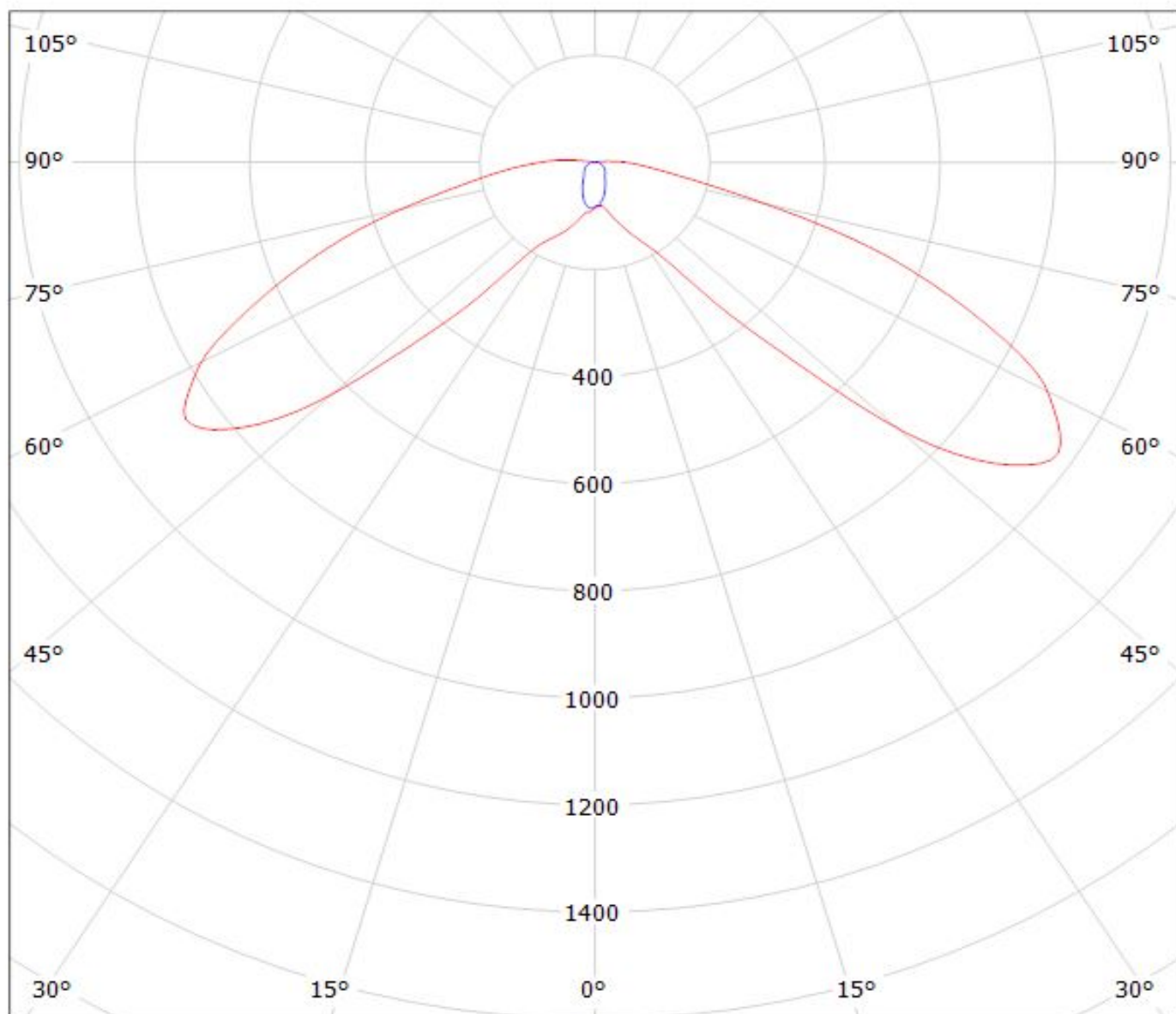
cd/klm

$\eta = 93\%$

— C0 - C180    — C90 - C270

Luminaire: LEDiL Oy CA11256\_STRADA-DW\_(Luxeon\_TX)

Lamps: 1 x Luxeon\_TX\_(L1T2-3585)\_81.3157lm@250mA\_CCT=3500K\_P=0.742403W\_I=249.9mA



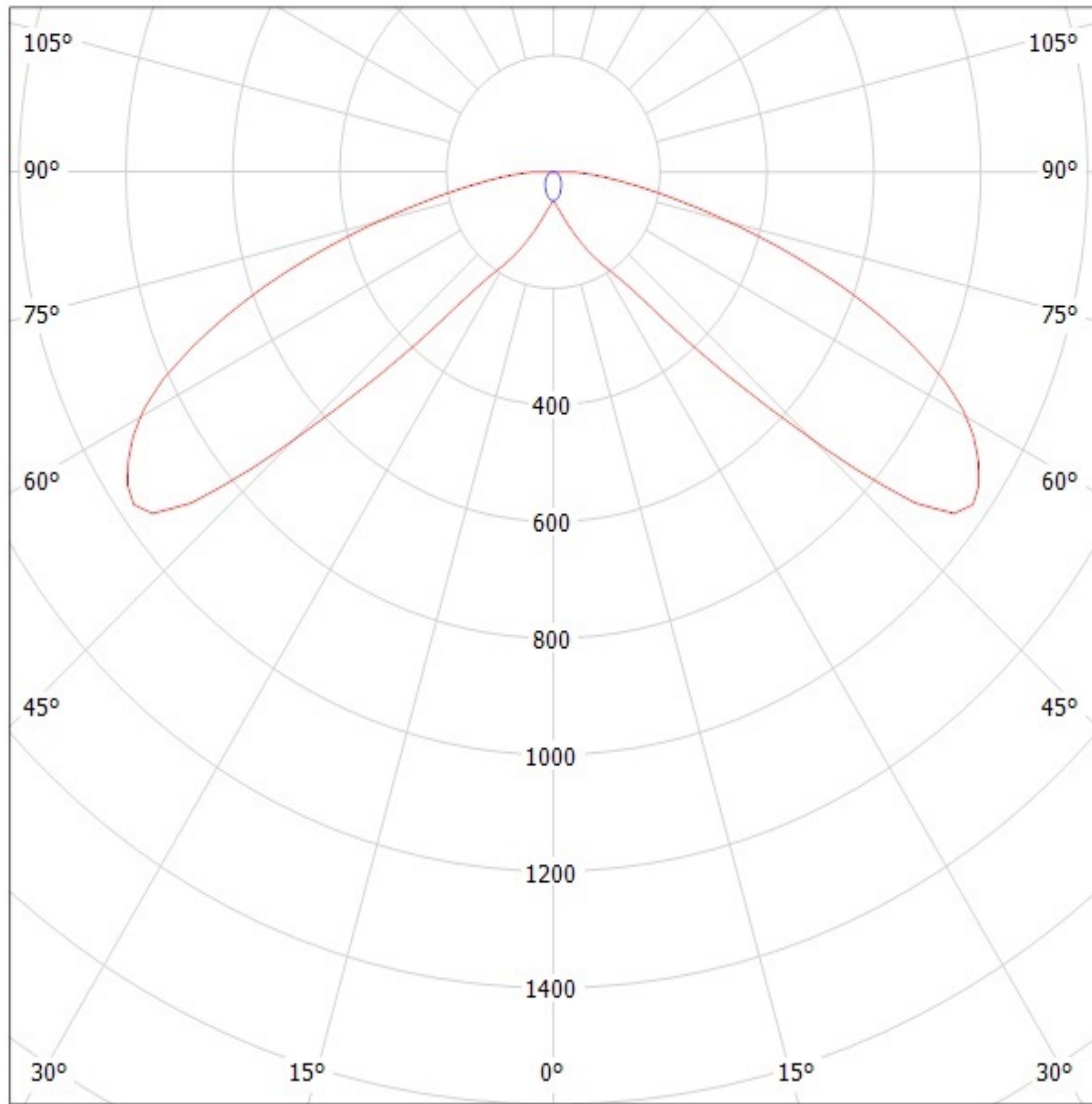
cd/klm

— C0 - C180

— C90 - C270

# Ledil Oy CA11256\_Strada-DW-OSL-tape CA11256\_Strada-DW-OSL-tape / LDC (Polar)

Luminaire: Ledil Oy CA11256\_Strada-DW-OSL-tape CA11256\_Strada-DW-OSL-tape  
Lamps: 1 x Osram Oslon (White)



cd/klm

— C0 - C180 — C90 - C270

SIMULATED

**NOTE: The typical divergence will be changed by different color, chip size and chip position tolerance. The typical total divergence is the full angle measured where the luminous intensity is half of the peak value.**