

## DETAILS

<b>Product Number</b>	CP10641_LISA-SS
<b>Family</b>	Lisa
<b>Type</b>	Assembly
<b>Color</b>	white
<b>Diameter</b>	10,8 mm
<b>Height</b>	7,3 mm
<b>Style</b>	round
<b>Optic Material</b>	PMMA
<b>Holder Material</b>	
<b>Fastening</b>	glue
<b>Status</b>	production ready
<b>ROHS Compliant</b>	Yes
<b>Date Updated</b>	20/09/2016



## OPTICAL PROPERTIES

LED	Viewing Angle	Light Beam	Efficiency	cd/lm	Connector
XP-E	22 deg	Smooth spo...	.86 %	3.800	-
XP-G	30 deg	Smooth spo...	.87 %	2.900	-
Z5	sim: 19	Smooth spo...	.86 %	-	-

D

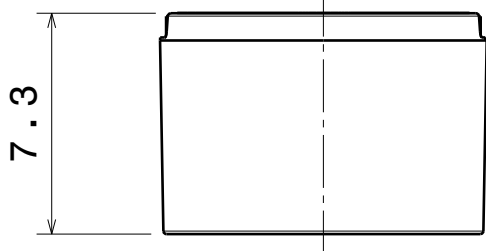
C

B

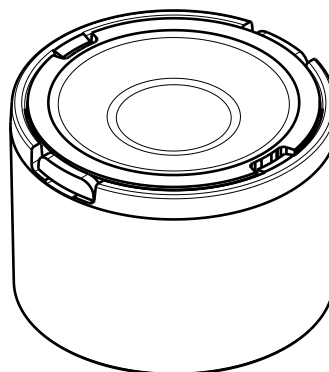
A

4

4

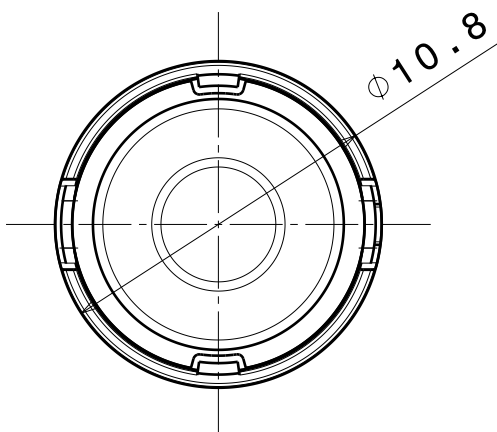


Front view

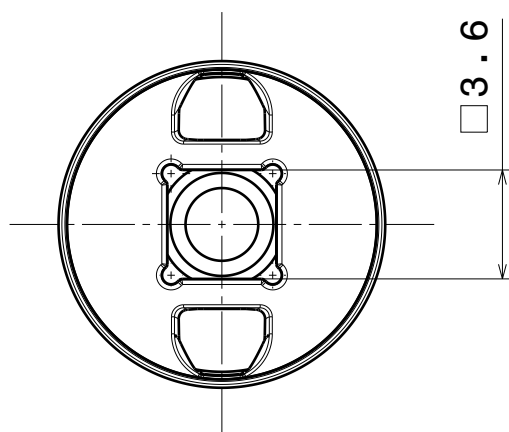
Isometric view  
Scale: 4:1

3

3



Top view



Bottom view

2

2

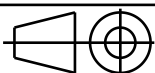
INDEX	PART NO	DESCRIPTION	MATERIAL	COLOUR
1	C10523	LISA-R1-SS	PMMA	clear
	C10640	LISA-XP-HLD	PC	white

Tolerances if not otherwise shown  
According to DIN ISO 2768-1  
Linear measures:  
Up to 30mm class M, otherwise class C.  
According to DIN ISO 2768-2  
Form and position: class L

LEDiL

Ledil Oy  
Salorankatu 10  
FIN 24240 SALO  
Finland

THIRD ANGLE PROJECTION:



DRAWING TITLE

CP10641\_LISA-SS

This drawing is the property  
of LEDiL Oy. It may not be  
reproduced, copied or  
communicated without a written  
agreement with LEDiL Oy.

SIZE PART NUMBER

A4

CP10641

SCALE	4:1	WEIGHT	0,5 g	SHEET	1/1
-------	-----	--------	-------	-------	-----

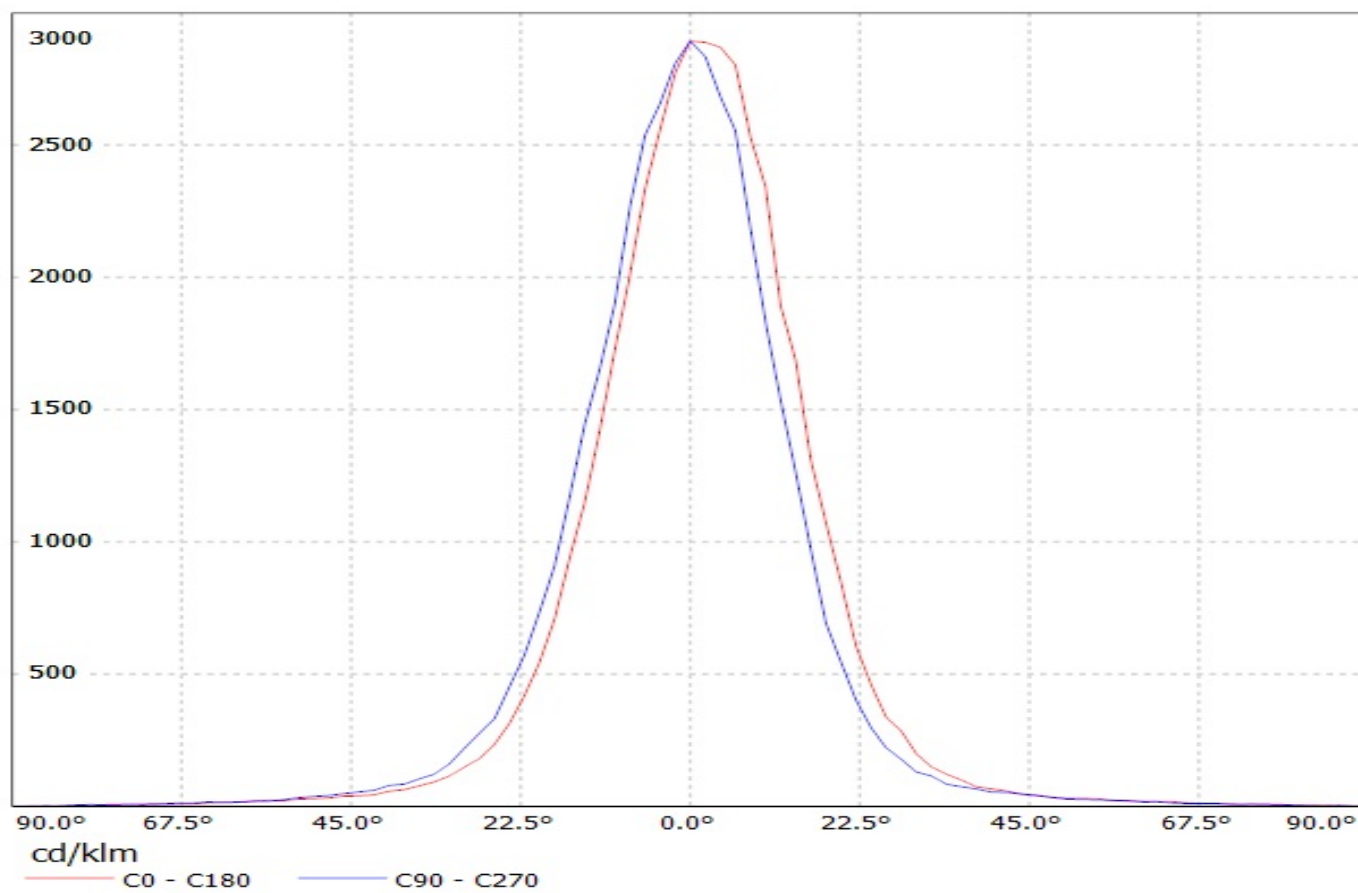
1

1

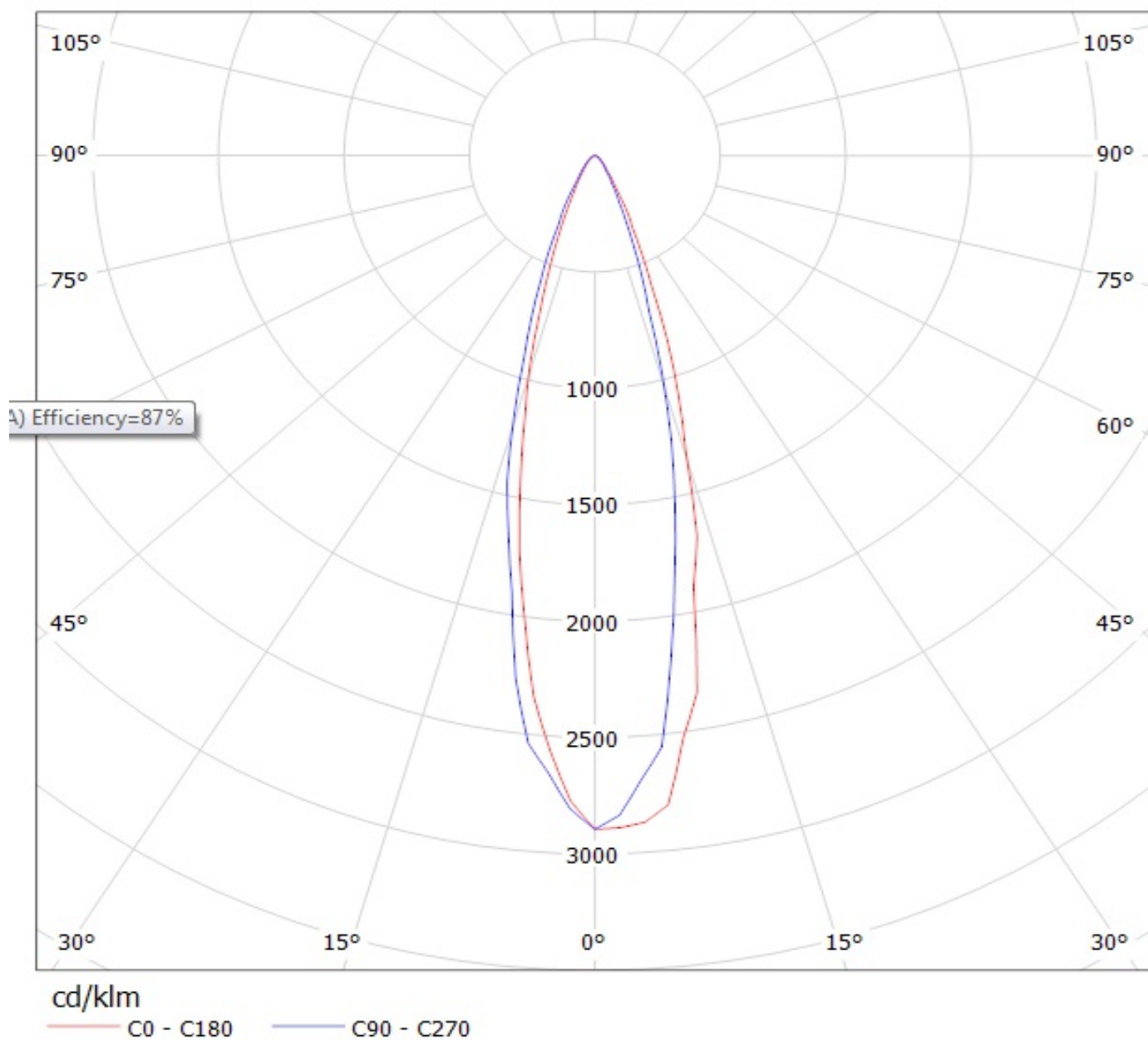
D

A

Luminaire: Ledil Oy CP10641\_LISA-SS-XP-G (Cree XP-G 62lm @ 250mA) Efficiency=87%  
Lamps: 1 x Cree XP-G 62lm @ 250mA



Luminaire: Ledil Oy CP10641\_LISA-SS-XP-G (Cree XP-G 62lm @ 250mA) Efficiency=87%  
Lamps: 1 x Cree XP-G 62lm @ 250mA



**NOTE: The typical divergence will be changed by different color, chip size and chip position tolerance. The typical total divergence is the full angle measured where the luminous intensity is half of the peak value.**