

# DALI-350-12

Constant current 350mA PWM output

100-240V AC

## Product Features:

- DALI digital input control; dimming control LED modules
- Addressable output channel
- Support Touch DIM function, and can be dimmed manually
- Dimming within 0-100% range (LED brightness will be started at 1%)
- For PC power supply
- Overheat protection
- Security class 2
  
- 1 channel 350MA constant current output



**Lamp connected:** 1W X 3~12LED

## Model

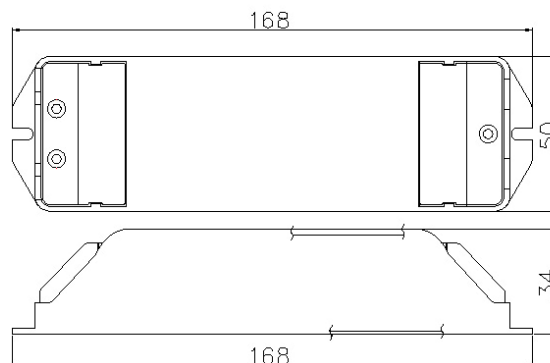
**DALI-350-12**

### Technical Data:

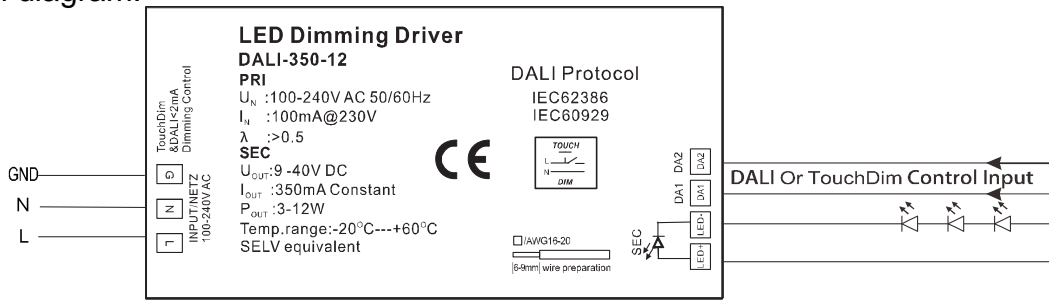
Parameter	Min.*	Nom.*	Max.	Unit
Range of input voltage	100	120	240	Vac
Input frequency	47	50-60	63	Hz
120V AC input current	80	220	250	mA
120V AC power factor	0.5	0.6	0.7	
Output power (1 channel power output, total)	1*3	1*12	1 x13	W
Output voltage	9	9-40	50	Vdc
Output current	300	320	350	mA
Summit current	-	<250	-	mA
Dimming control (DALI dimming)		IEC62386		
Housing temperature			80	°C
Environment temperature	-25		55	°C
Protection	Short-circuit protection		OK	
	Overpower protection		OK	
	Overheat protection		OK	

\*In effect at 25°C room temperature

## Product size (mm):



Connection diagram:



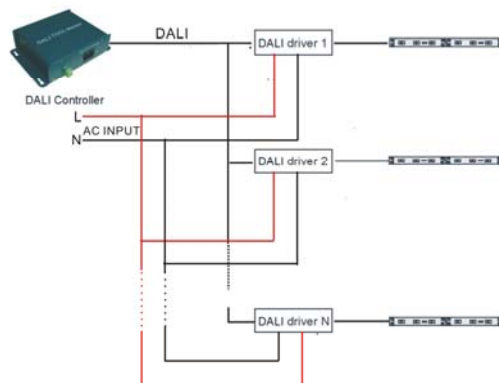
**Touch DIM functions instruction:**

- 1) Short press the Touch DIM switch (<0.5s) to control the lamp on or off  
 Long press the Touch DIM switch (>0.5s) to dim the brightness of light; The dimming direction will change every time after pressing switch
- 2) When the light being turned off, long press the Touch DIM switch can turn on the light and adjust it's brightness according to the dimming direction
- 3) The brightness adjustment range is 1%-100%, and the light can be turned off through short pressing when do the adjustment with long pressing Touch DIM switch
- 4) Power off memory function, the power-down state before will be maintained when power on again

**Product installation notes:**

- 1) Remark: DALI and TouchDIM functions cannot be used simultaneously, which can be controlled respectively by using DALI controllers or the equipments with TouchDIM function
- 2) Please read the connecting instruction picture before installation
- 3) Please use the complete set of product according to the provided specification
- 4) Please firstly pressure the cap end down in wire connecting process, then insert the thread of wire, and lastly check the wire is or not insert firmly
- 5) In order to avoid the damage of the equipment, please check the connecting method is correct or not before connecting the power

**DALI wiring diagram:**



**TouchDIM wiring diagram:**

