

**Product number C11415_STRADA-T-DN**

Family	Strada-T	FWHM	Asymmetric degrees
Type	Lens	Efficiency	92 %
LED	XP-E	cd/lm	-
Color	Clear	Gerber File	Available
Diameter	19.8 x 15.5 mm		
Height	8.75 mm		
Style	Rectang		
Optic Material	PMMA		
Holder Material	-		
Fastening	["screw", "glue", "pin"]		
Status	Production ready		

**Product number CA11416_STRADA-T-DN**

Family	Strada-T	FWHM	Asymmetric degrees
Type	Assembly	Efficiency	92 %
LED	XP-E	cd/lm	-
Color	Clear	Gerber File	Available
Diameter	19.8 x 15.5 mm		
Height	8.75 mm		
Style	Rectang		
Optic Material	PMMA		
Holder Material	-		
Fastening	["pin", "tape", "screw"]		
Status	Production ready		

**Product number C11425_STRADA-T-DW**

Family	Strada-T	FWHM	Asymmetric degrees
Type	Lens	Efficiency	93 %
LED	XP-E	cd/lm	-
Color	Clear	Gerber File	Available
Diameter	19.6 x 15.5 mm		
Height	10.7 mm		
Style	Rectang		
Optic Material	PMMA		
Holder Material	-		
Fastening	["pin", "tape"]		
Status	Production ready		

**Product number CA11426_STRADA-T-DW**

Family	Strada-T	FWHM	Asymmetric degrees
Type	Assembly	Efficiency	92 %
LED	XP-E	cd/lm	-
Color	Clear	Gerber File	Available
Diameter	19.6 x 15.5 mm		
Height	10.7 mm		
Style	Rectang		
Optic Material	PMMA		
Holder Material	-		
Fastening	["pin", "tape", "screw"]		
Status	Production ready		


Product number 2F11896_STRADA-T-DN-EP

Family	Strada-T	FWHM	Asymmetric degrees
Type	Lens	Efficiency	92 %
LED	XP-E	cd/lm	-
Color	Clear	Gerber File	Available
Diameter	19.8 x 15.5 mm	No position element, Customer needs own fixture for assembling	
Height	8.75 mm		
Style	Rectang		
Optic Material	PMMA		
Holder Material	-		
Fastening	["glue", "screw"]		
Status	Production ready		


Product number 2F11898_STRADA-T-DW-EP

Family	Strada-T	FWHM	Asymmetric degrees
Type	Lens	Efficiency	92 %
LED	XP-E	cd/lm	-
Color	Clear	Gerber File	Available
Diameter	19.6 x 15.5 mm	No position element, Customer needs own fixture for assembling	
Height	10.7 mm		
Style	Rectang		
Optic Material	PMMA		
Holder Material	-		
Fastening	["glue", "screw"]		
Status	Production ready		


Product number 2FA11992_STRADA-T-DN-EP

Family	Strada-T	FWHM	Asymmetric degrees
Type	Assembly	Efficiency	92 %
LED	XP-E	cd/lm	-
Color	Clear	Gerber File	Available
Diameter	19.8 x 15.5 mm	No position element, Customer needs own fixture for assembling	
Height	8.75 mm		
Style	Rectang		
Optic Material	PMMA		
Holder Material	-		
Fastening	["tape", "screw"]		
Status	Production ready		


Product number 2FA11993_STRADA-T-DW-EP

Family	Strada-T	FWHM	Asymmetric degrees
Type	Assembly	Efficiency	92 %
LED	XP-E	cd/lm	-
Color	Clear	Gerber File	Available
Diameter	19.6 x 15.5 mm	No position element, Customer needs own fixture for assembling	
Height	10.7 mm		
Style	Rectang		
Optic Material	PMMA		
Holder Material	-		
Fastening	["tape", "screw"]		
Status	Production ready		



PRODUCT DATASHEET
Strada-T series
last update 8/3/2014

NOTE: The typical divergence will be changed by different color, chip size and chip position tolerance. The typical total divergence is the full angle measured where the luminous intensity is half of the peak value.



PRODUCT DATASHEET Strada-T series

last update 8/3/2014

GENERAL INFORMATION

- Product series especially designed & optimized for XP-E series of LEDs.
- Special care taken to make light distribution as uniform as possible.
- Lens material optical grade PMMA with high UV and temperature resistance. Allows use of high current and temperature conditions.

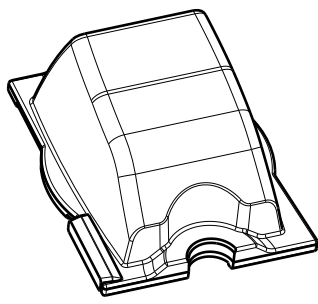
Please find more information about used material from below:

http://ledil.fi/sites/default/files/Documents/Technical/Material/PMMA%20N%20UL94_Yellow%20Card.pdf

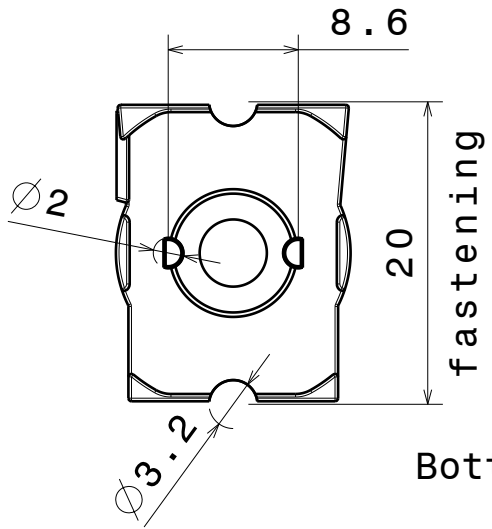
<http://ledil.fi/sites/default/files/Documents/Technical/Material/PMMA%20N%20PLEXIGLAS-Datasheet.pdf>

D C B A

4

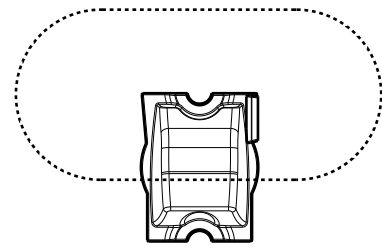


Isometric view

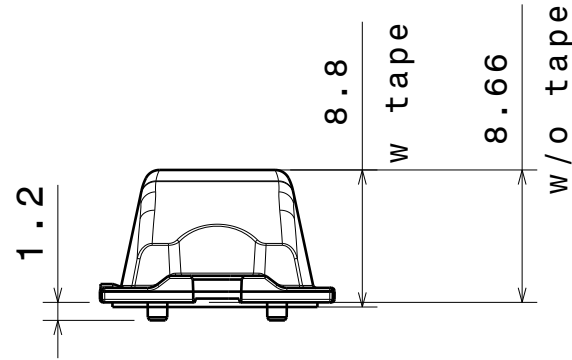


Bottom view

3

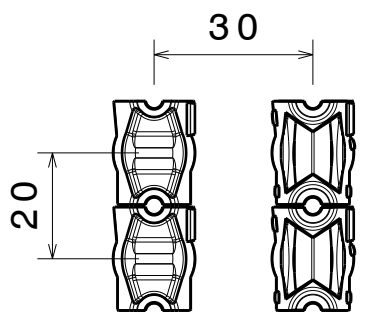


Beam direction

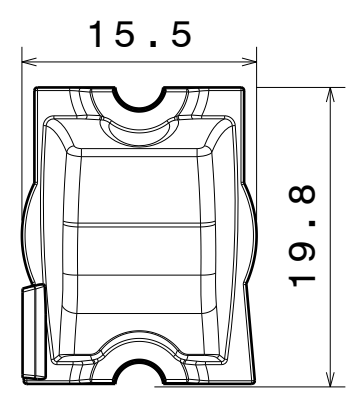


Front view

2



Strada lens arrangement recommendation




Top view

MATERIALS
 Lens: PMMA
 Tape(optional): PU Foam

Optical interface details are confidential and detail in this area may not reflect actual shape

1

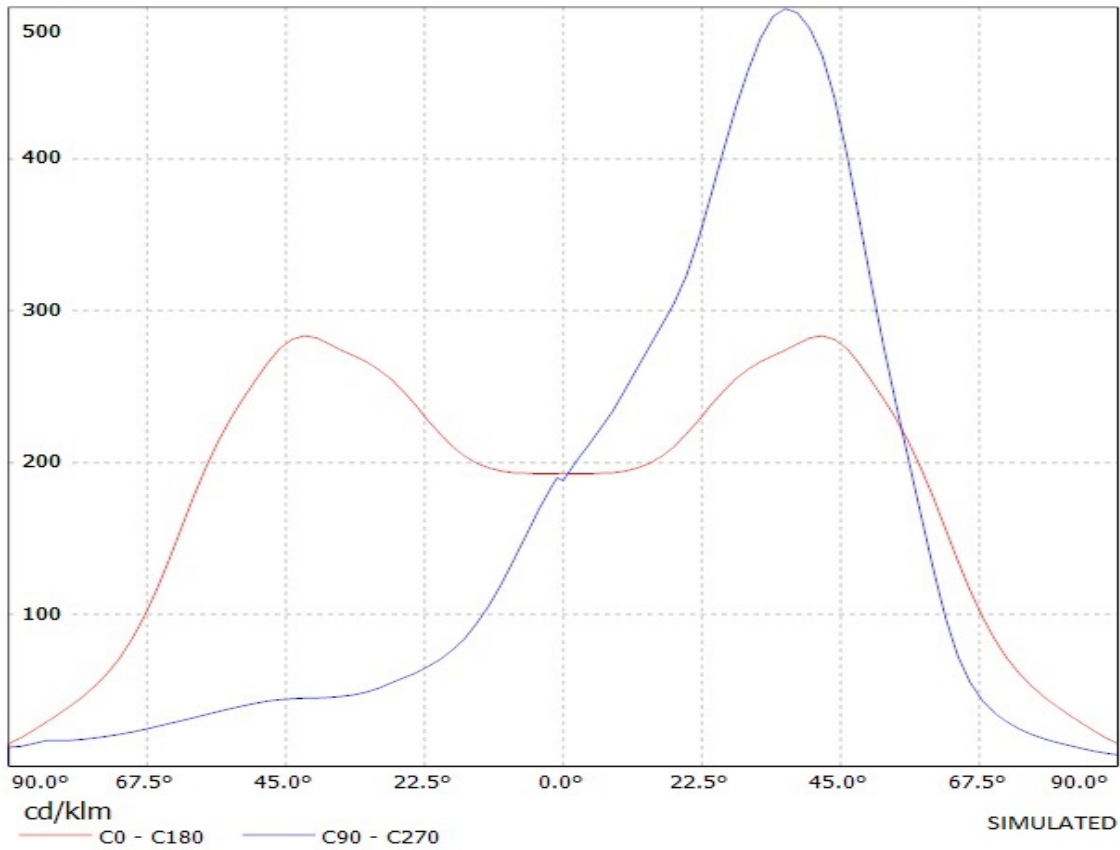
1

This drawing is our property. It can't be reproduced or communicated without our written agreement.				Ledil Oy Salorankatu 10 FIN-24100 SALO Finland	
DRAWN BY ah		DATE 26.9.2012		Datasheet Strada-T-DN Lens	
CHECKED BY sn		DATE 26.9.2012			
DESIGNED BY hh		DATE 14.05.2010		SIZE A4	DRAWING NUMBER
		SCALE 2:1		WEIGHT (g)	SHEET 1/1

D A

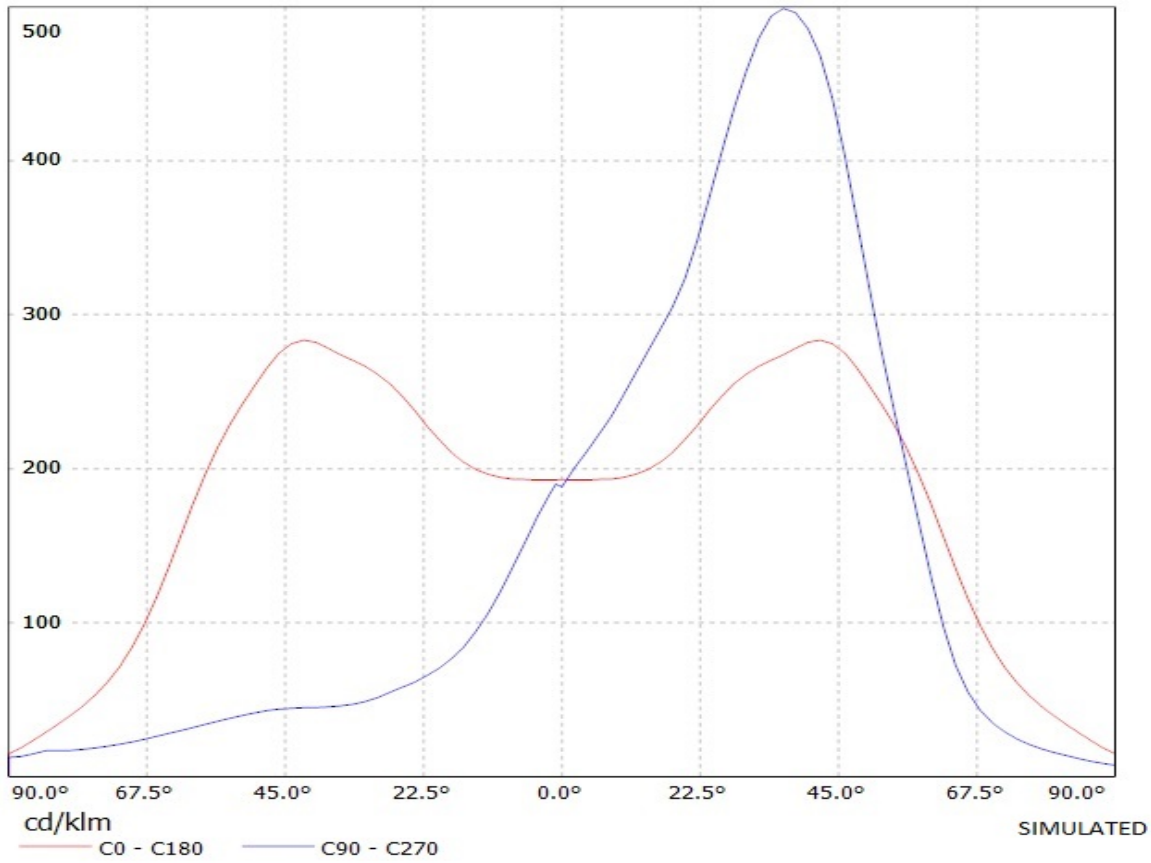
Ledil Oy C11415_Strada-T-DN-XP C11415_Strada-T-DN-XP / LDC (Linear)

Luminaire: Ledil Oy C11415_Strada-T-DN-XP C11415_Strada-T-DN-XP
Lamps: 1 x Cree XP-E (White)



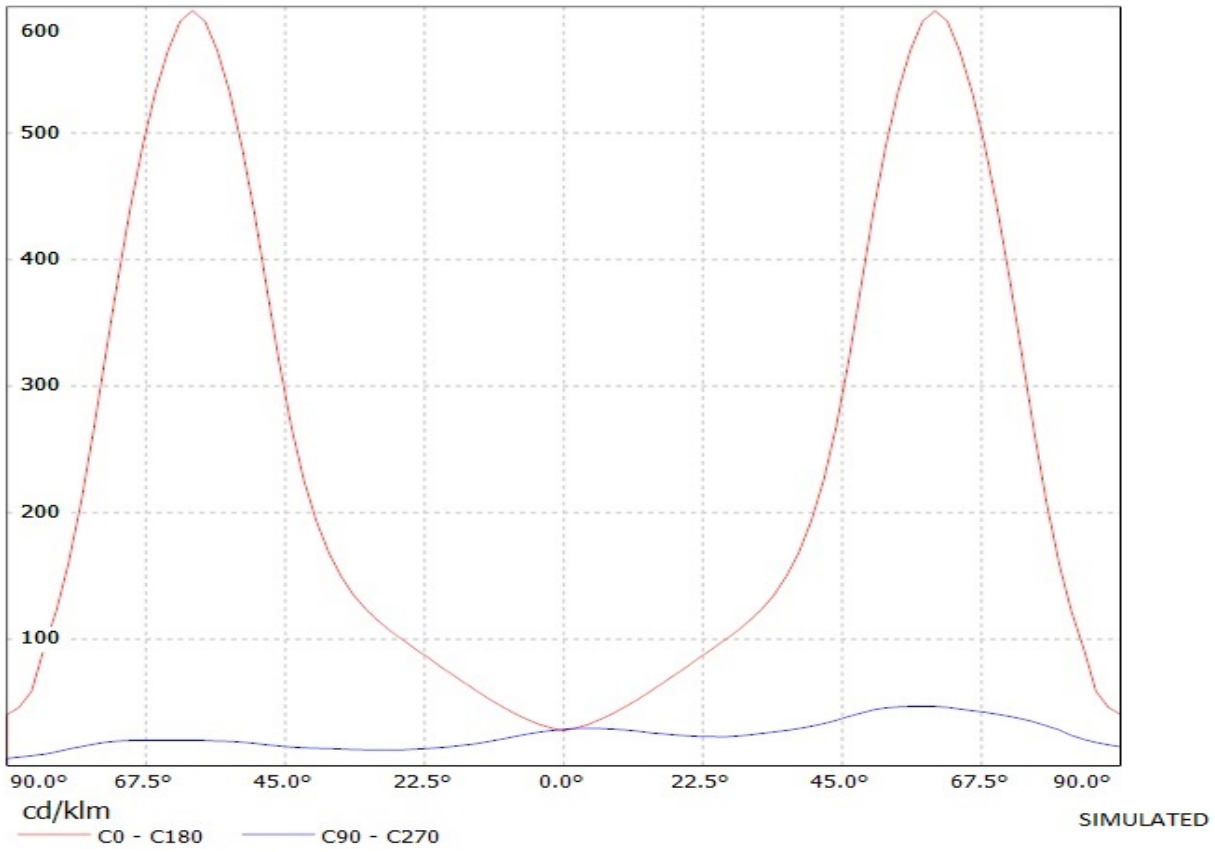
Ledil Oy C11415_Strada-T-DN-XP C11415_Strada-T-DN-XP / LDC (Linear)

Luminaire: Ledil Oy C11415_Strada-T-DN-XP C11415_Strada-T-DN-XP
Lamps: 1 x Cree XP-E (White)



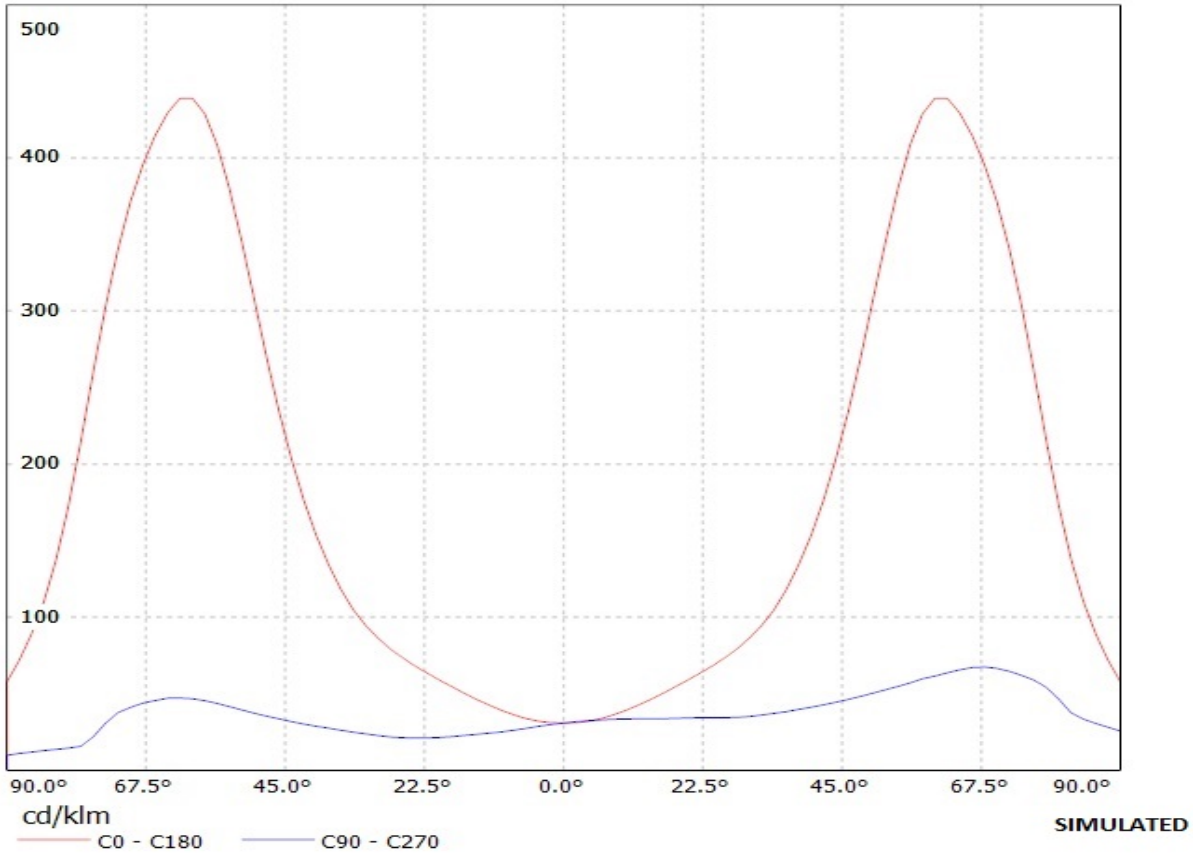
Ledil Oy C11425_Strada-T-DW-XP C11425_Strada-T-DW-XP / LDC (Linear)

Luminaire: Ledil Oy C11425_Strada-T-DW-XP C11425_Strada-T-DW-XP
Lamps: 1 x Cree XP-E (White)



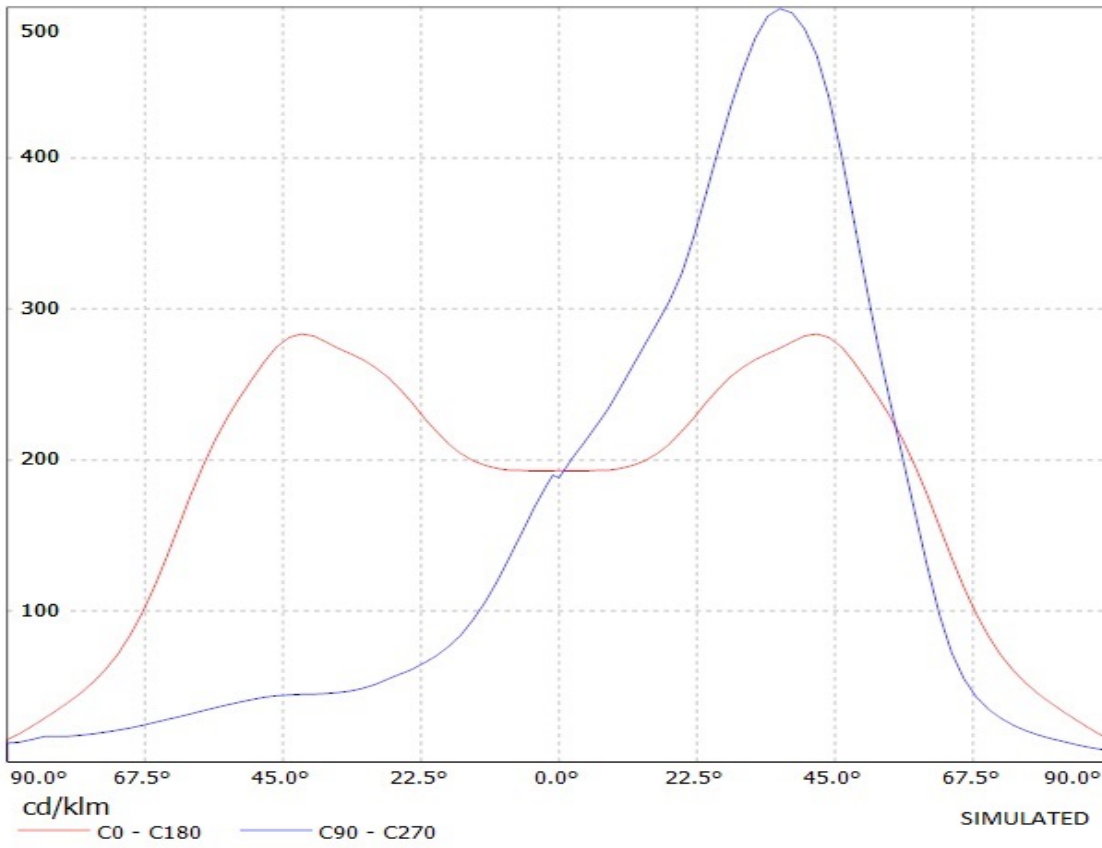
Ledil Oy C11425_Strada-T-DW-XP-G C11425_Strada-T-DW-XP-G / LDC (Linear)

Luminaire: Ledil Oy C11425_Strada-T-DW-XP-G C11425_Strada-T-DW-XP-G
Lamps: 1 x Cree Xp-G (White)



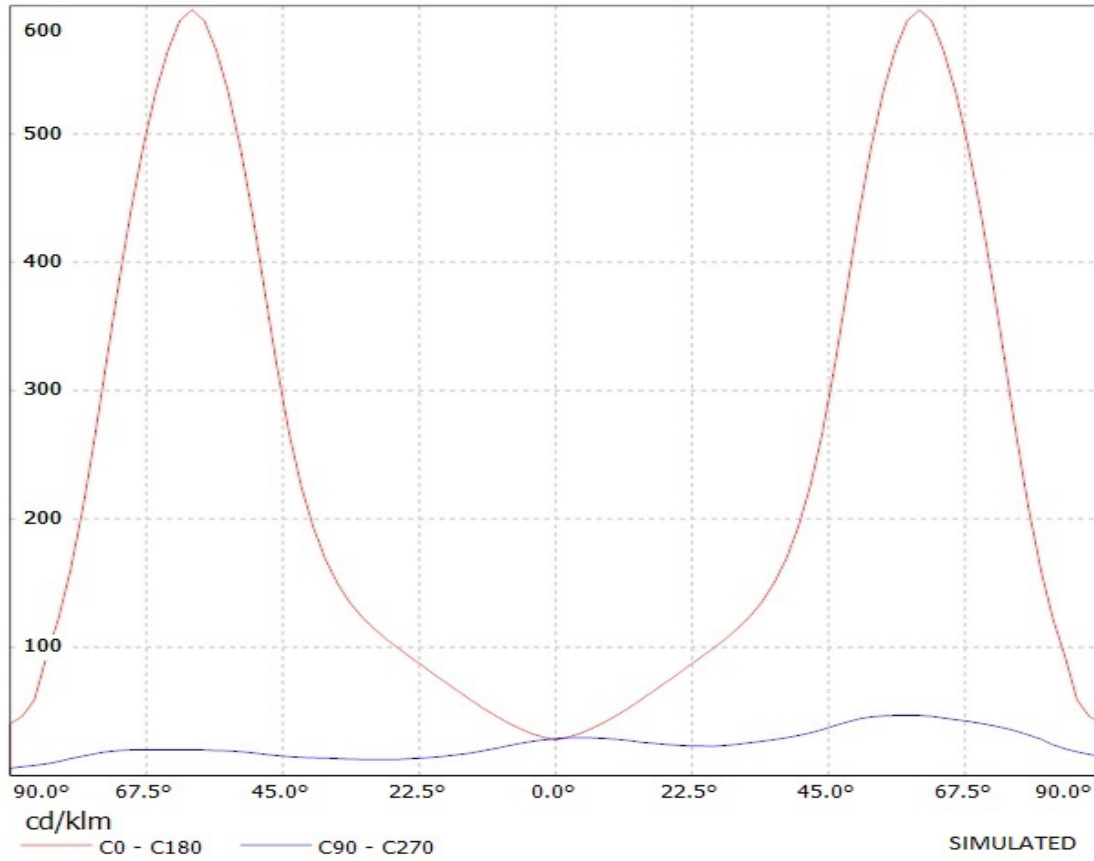
Ledil Oy C11415_Strada-T-DN-XP C11415_Strada-T-DN-XP / LDC (Linear)

Luminaire: Ledil Oy C11415_Strada-T-DN-XP C11415_Strada-T-DN-XP
Lamps: 1 x Cree XP-E (White)



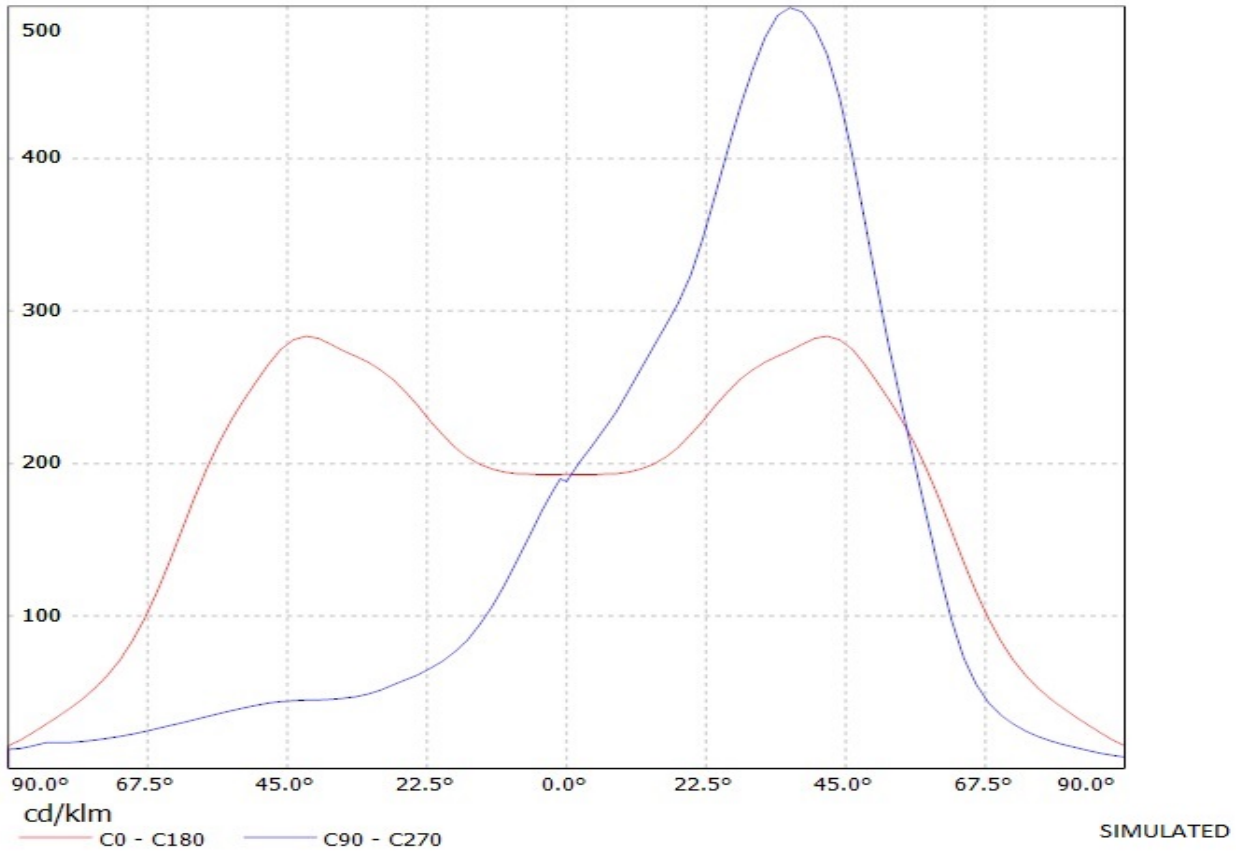
Ledil Oy C11425_Strada-T-DW-XP C11425_Strada-T-DW-XP / LDC (Linear)

Luminaire: Ledil Oy C11425_Strada-T-DW-XP C11425_Strada-T-DW-XP
Lamps: 1 x Cree XP-E (White)



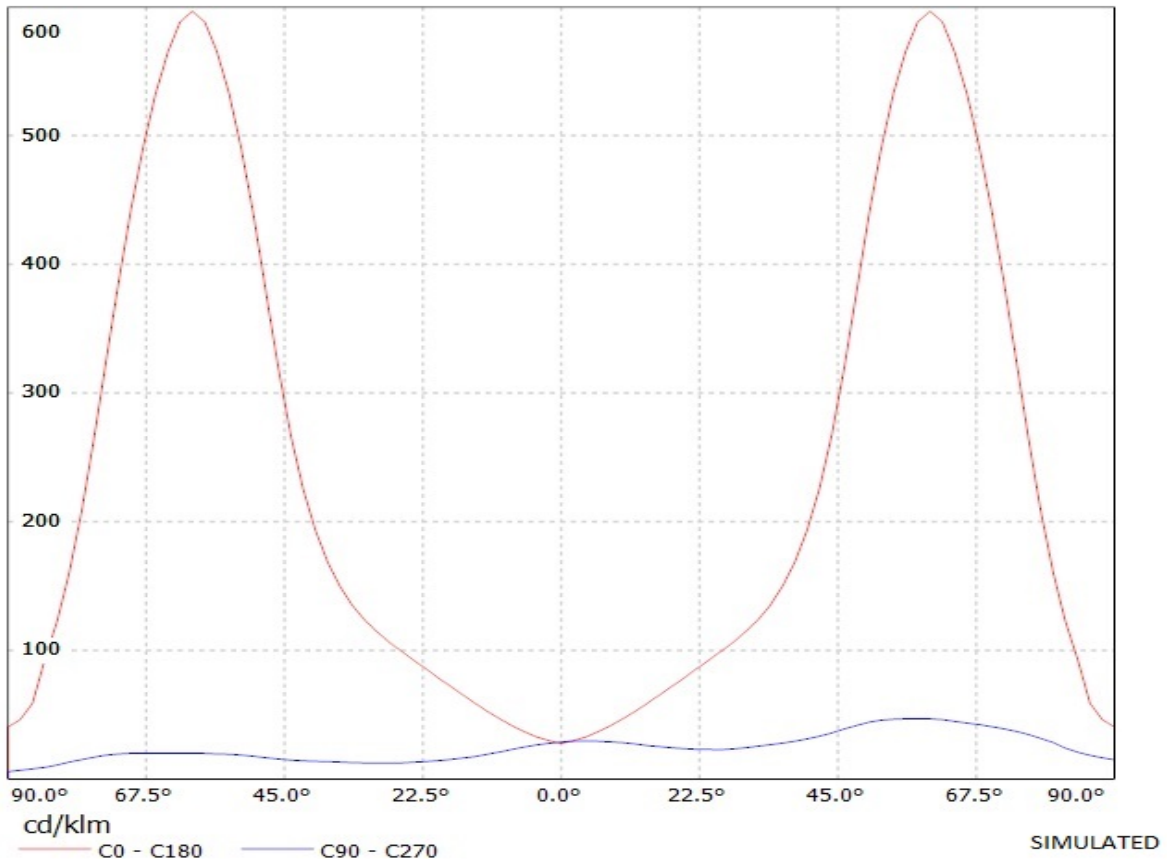
Ledil Oy C11415_Strada-T-DN-XP C11415_Strada-T-DN-XP / LDC (Linear)

Luminaire: Ledil Oy C11415_Strada-T-DN-XP C11415_Strada-T-DN-XP
Lamps: 1 x Cree XP-E (White)



Ledil Oy C11425_Strada-T-DW-XP C11425_Strada-T-DW-XP / LDC (Linear)

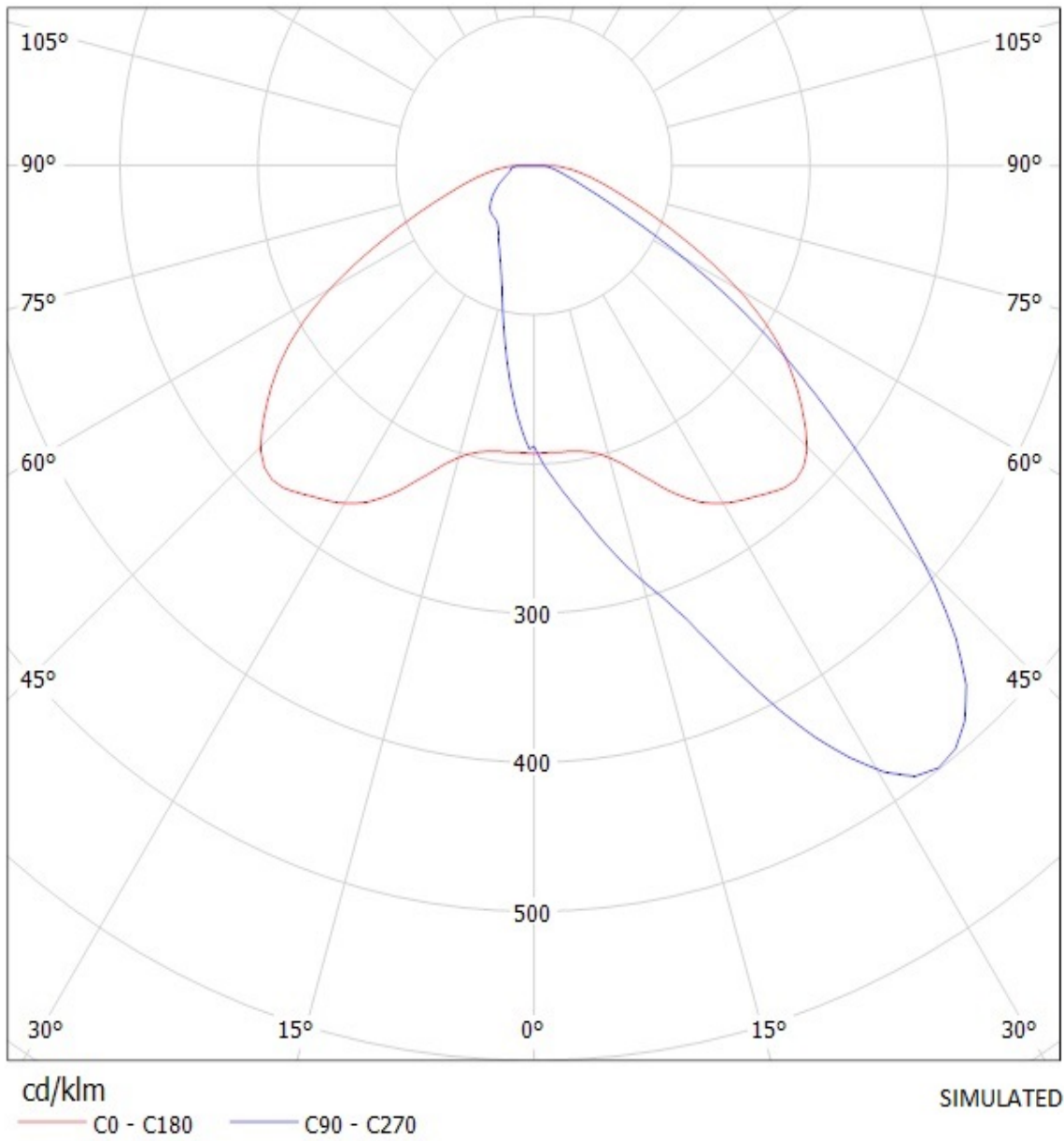
Luminaire: Ledil Oy C11425_Strada-T-DW-XP C11425_Strada-T-DW-XP
Lamps: 1 x Cree XP-E (White)



Ledil Oy C11415_Strada-T-DN-XP C11415_Strada-T-DN-XP / LDC (Polar)

Luminaire: Ledil Oy C11415_Strada-T-DN-XP C11415_Strada-T-DN-XP

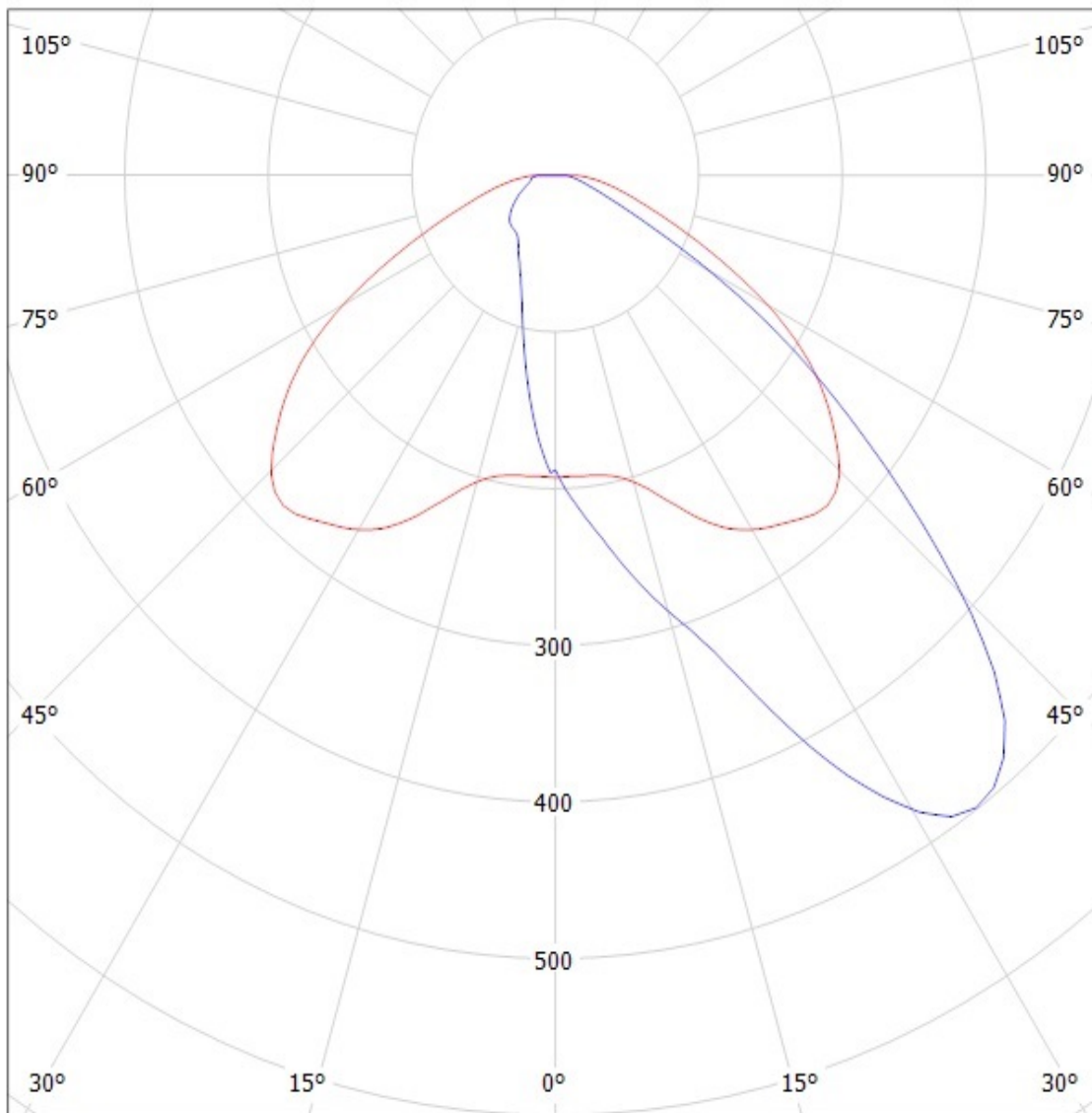
Lamps: 1 x Cree XP-E (White)



Ledil Oy C11415_Strada-T-DN-XP C11415_Strada-T-DN-XP / LDC (Polar)

Luminaire: Ledil Oy C11415_Strada-T-DN-XP C11415_Strada-T-DN-XP

Lamps: 1 x Cree XP-E (White)



cd/klm

— C0 - C180

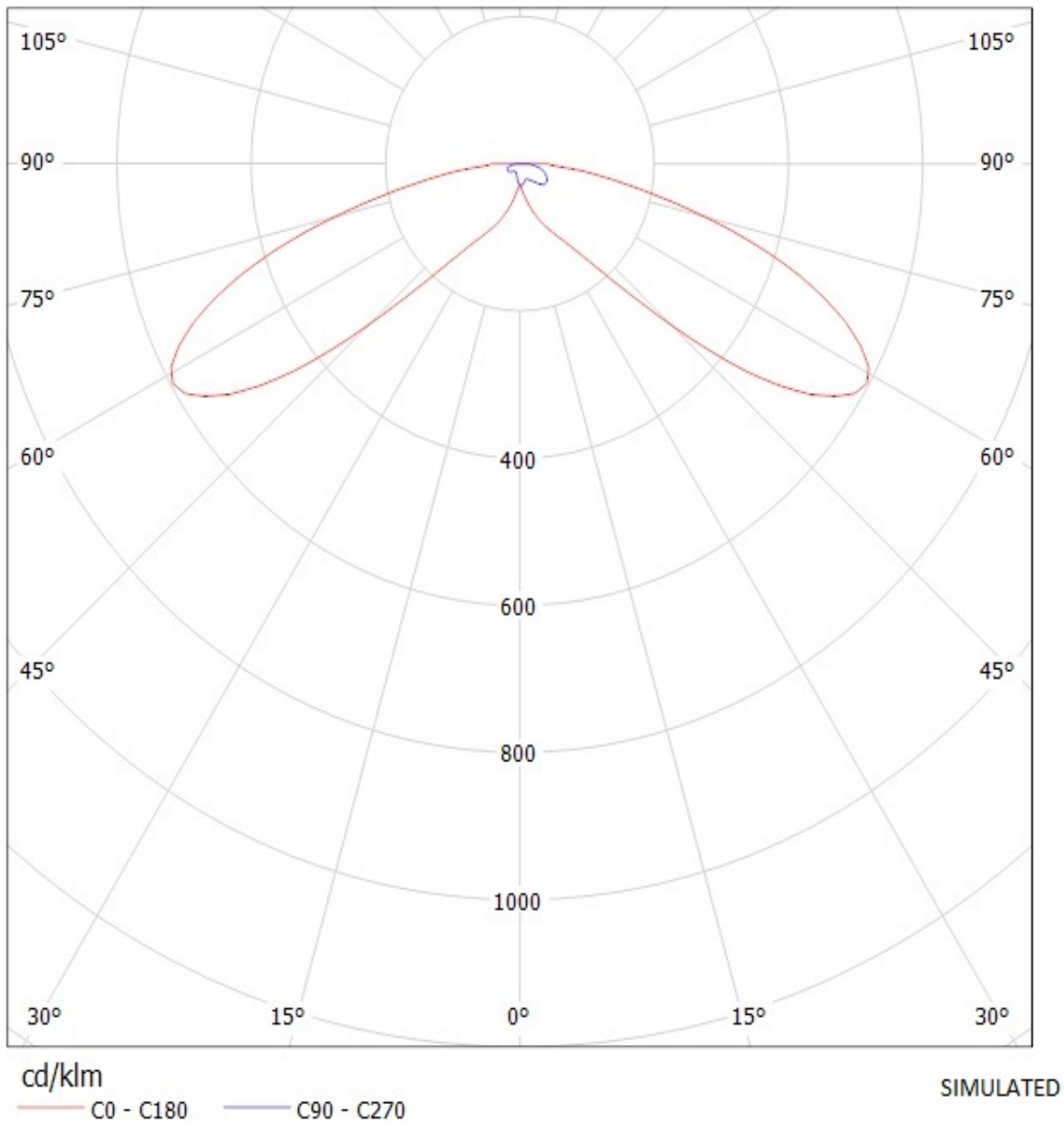
— C90 - C270

SIMULATED

Ledil Oy C11425_Strada-T-DW-XP C11425_Strada-T-DW-XP / LDC (Polar)

Luminaire: Ledil Oy C11425_Strada-T-DW-XP C11425_Strada-T-DW-XP

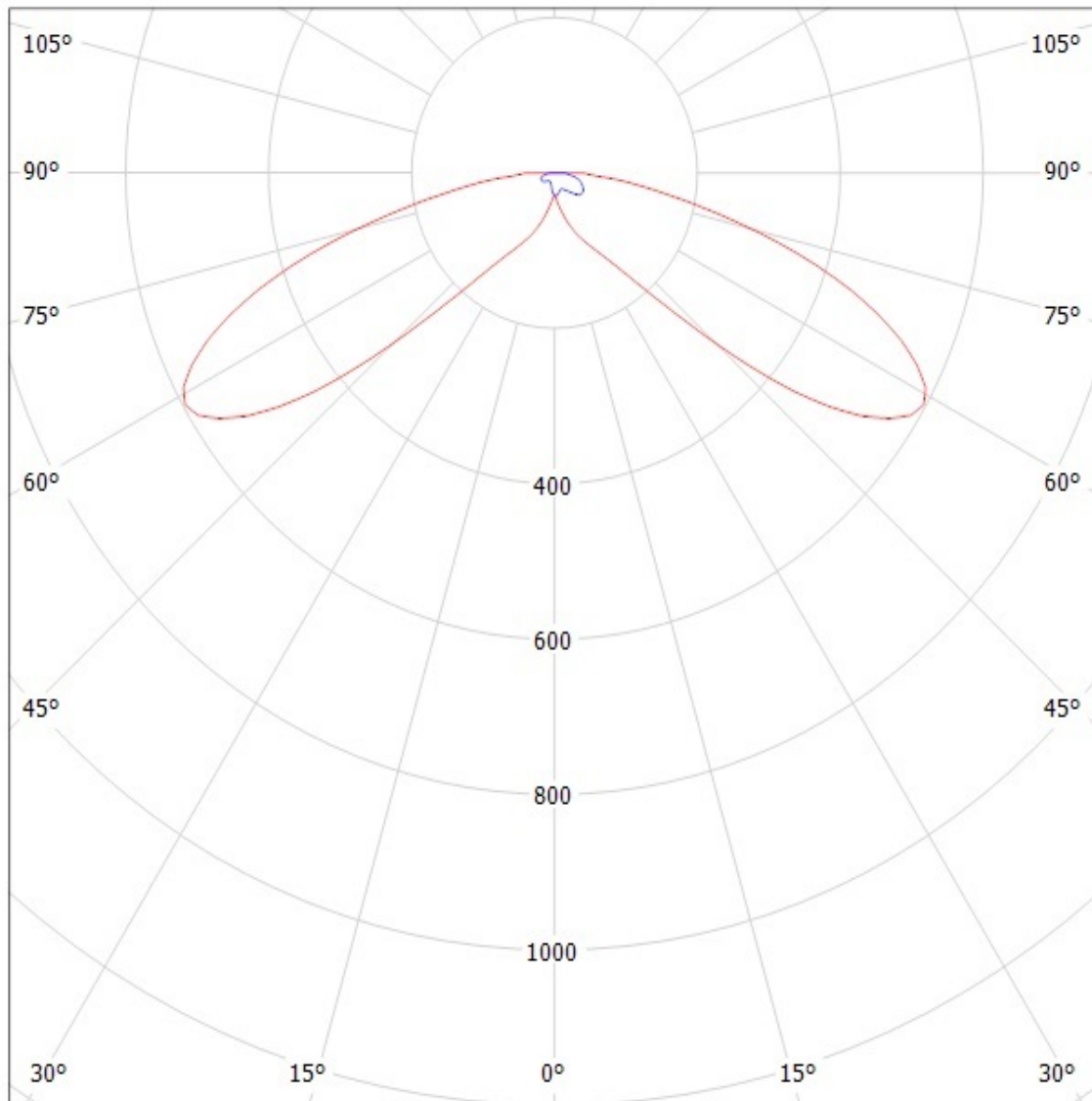
Lamps: 1 x Cree XP-E (White)



Ledil Oy C11425_Strada-T-DW-XP C11425_Strada-T-DW-XP / LDC (Polar)

Luminaire: Ledil Oy C11425_Strada-T-DW-XP C11425_Strada-T-DW-XP

Lamps: 1 x Cree XP-E (White)



cd/km

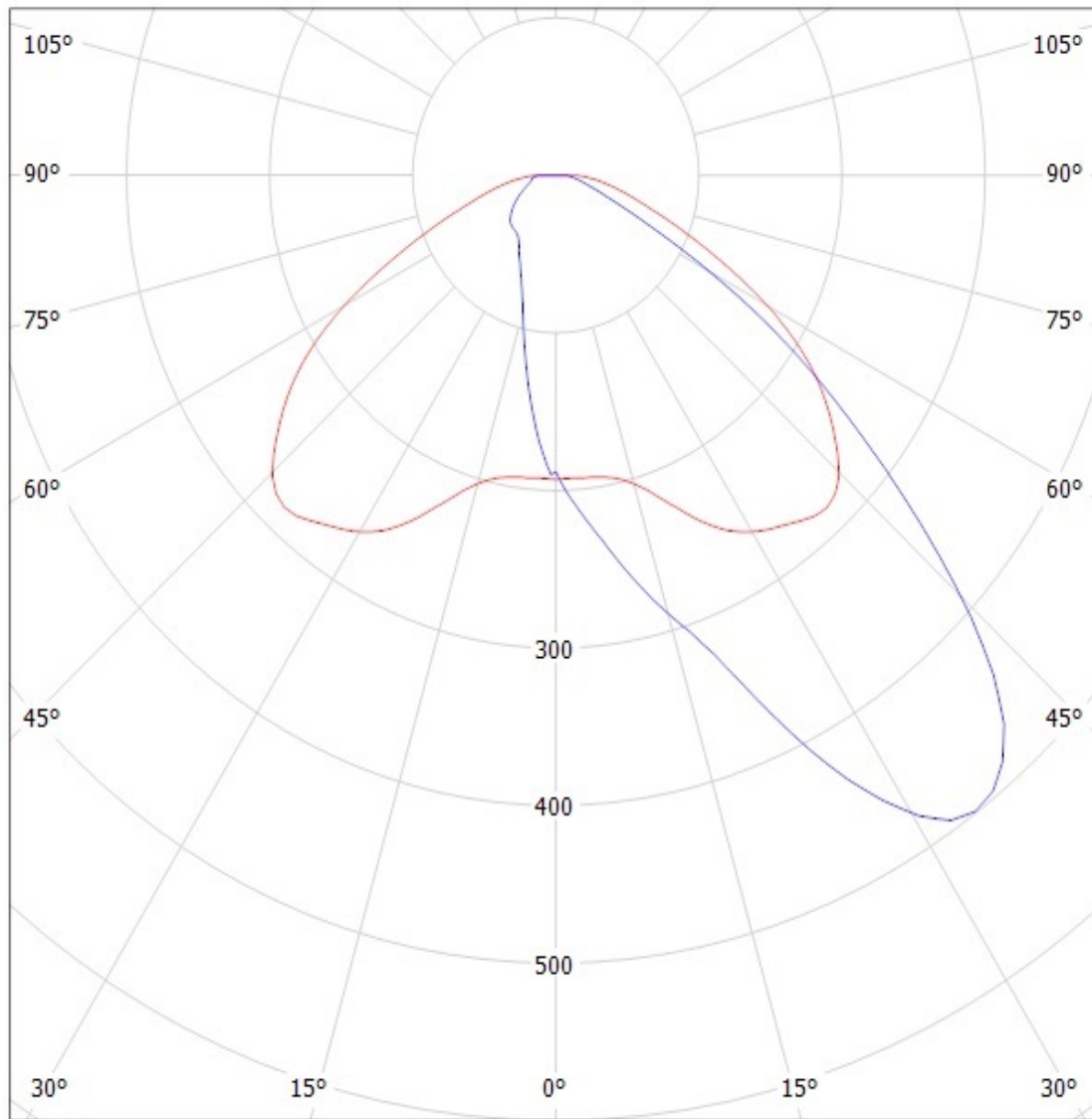
— C0 - C180 — C90 - C270

SIMULATED

Ledil Oy C11415_Strada-T-DN-XP C11415_Strada-T-DN-XP / LDC (Polar)

Luminaire: Ledil Oy C11415_Strada-T-DN-XP C11415_Strada-T-DN-XP

Lamps: 1 x Cree XP-E (White)



cd/klm

— C0 - C180

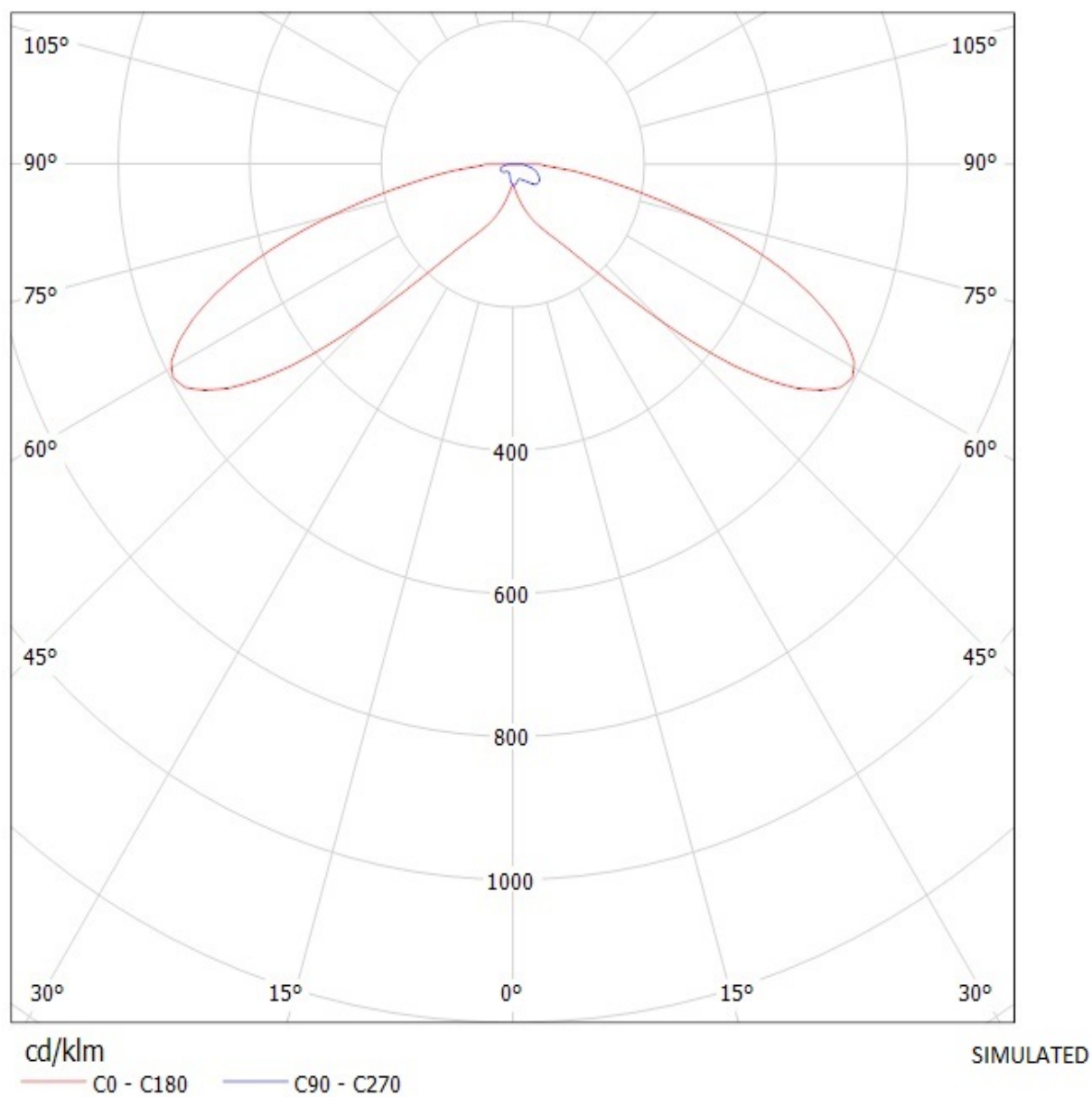
— C90 - C270

SIMULATED

Ledil Oy C11425_Strada-T-DW-XP C11425_Strada-T-DW-XP / LDC (Polar)

Luminaire: Ledil Oy C11425_Strada-T-DW-XP C11425_Strada-T-DW-XP

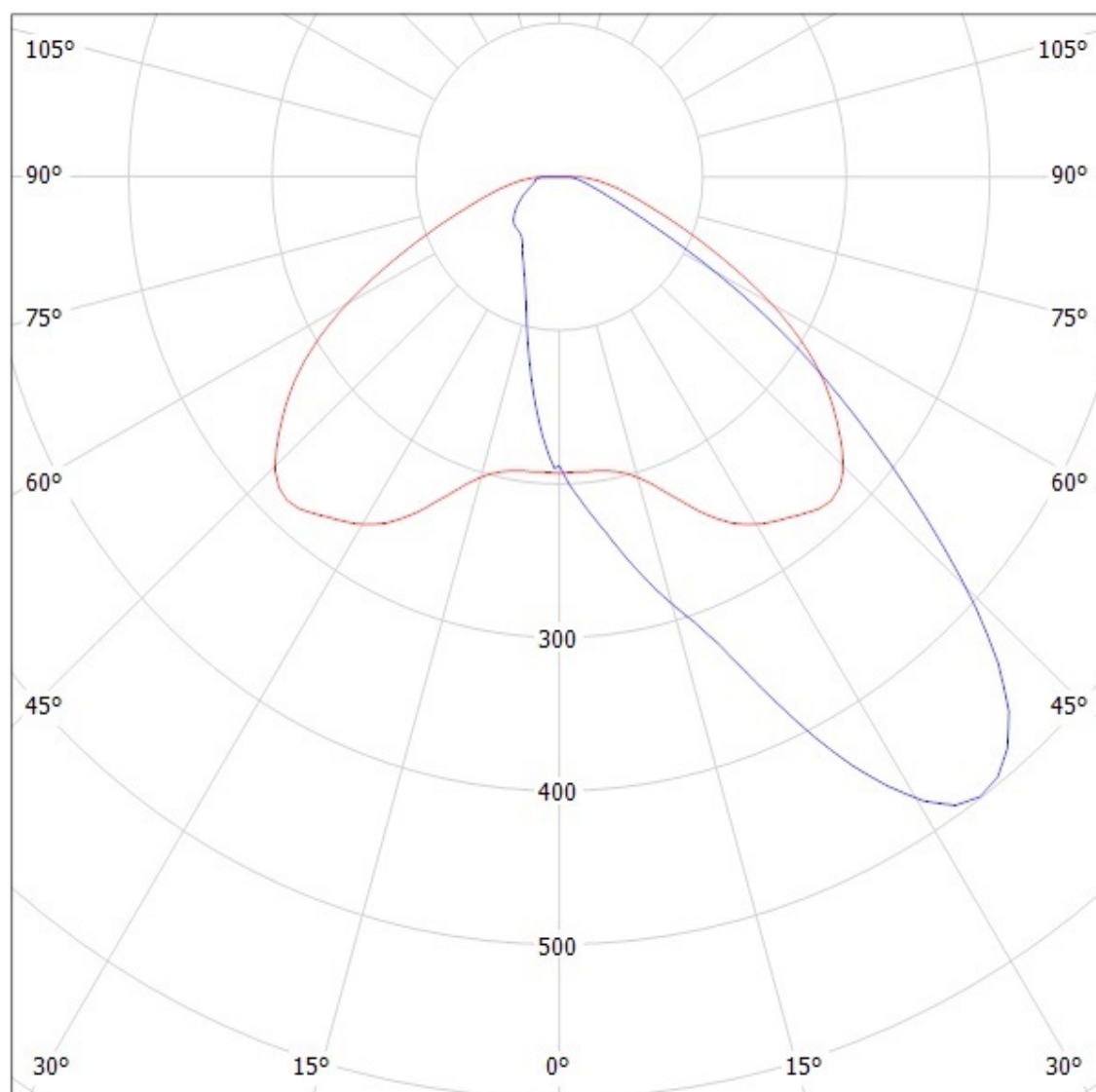
Lamps: 1 x Cree XP-E (White)



Ledil Oy C11415_Strada-T-DN-XP C11415_Strada-T-DN-XP / LDC (Polar)

Luminaire: Ledil Oy C11415_Strada-T-DN-XP C11415_Strada-T-DN-XP

Lamps: 1 x Cree XP-E (White)



cd/klm

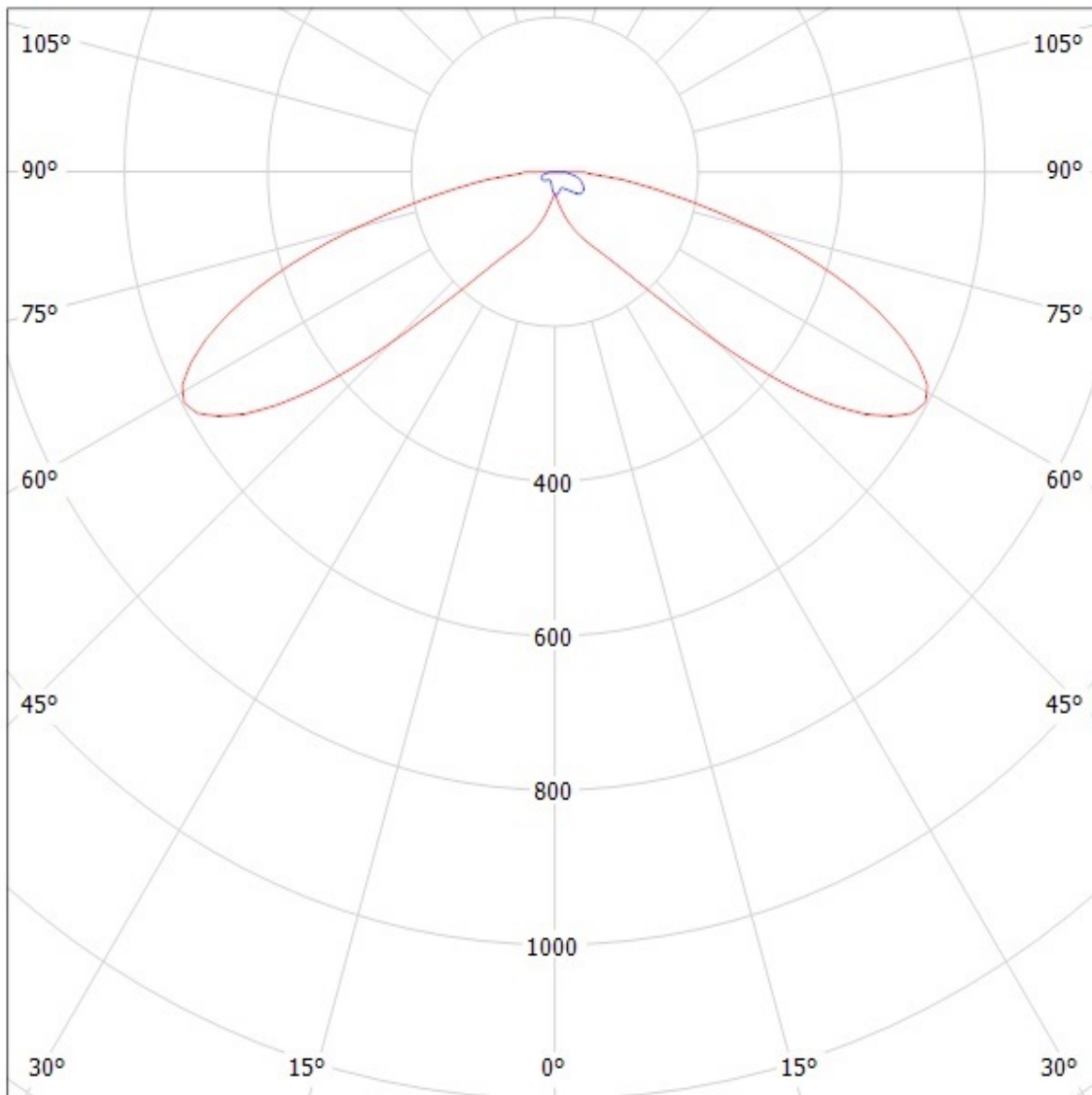
— C0 - C180

— C90 - C270

SIMULATED

Ledil Oy C11425_Strada-T-DW-XP C11425_Strada-T-DW-XP / LDC (Polar)

Luminaire: Ledil Oy C11425_Strada-T-DW-XP C11425_Strada-T-DW-XP
Lamps: 1 x Cree XP-E (White)



cd/klm

— C0 - C180 — C90 - C270

SIMULATED