

Note:

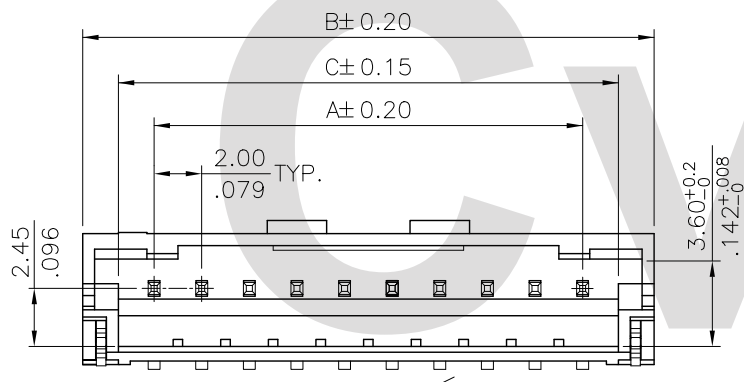
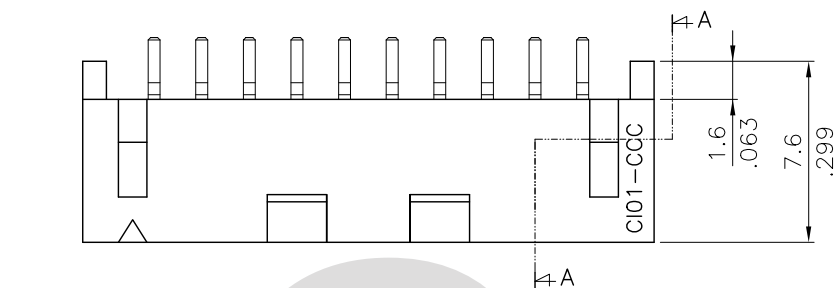
1. Material:

* Insulation: Nylon 6T UL 94V-0, Color Nature

* Contact: Brass

* TAB: Brass with matte Tin plated

△ 2. For Lead-Free IR Reflow process

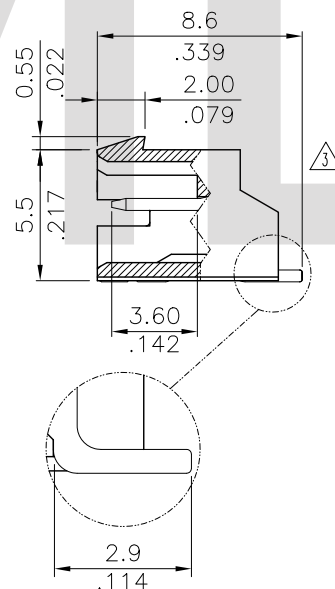


A = 2.00 x No. of Spaces

B = A + 6.0

C = A + 3.0

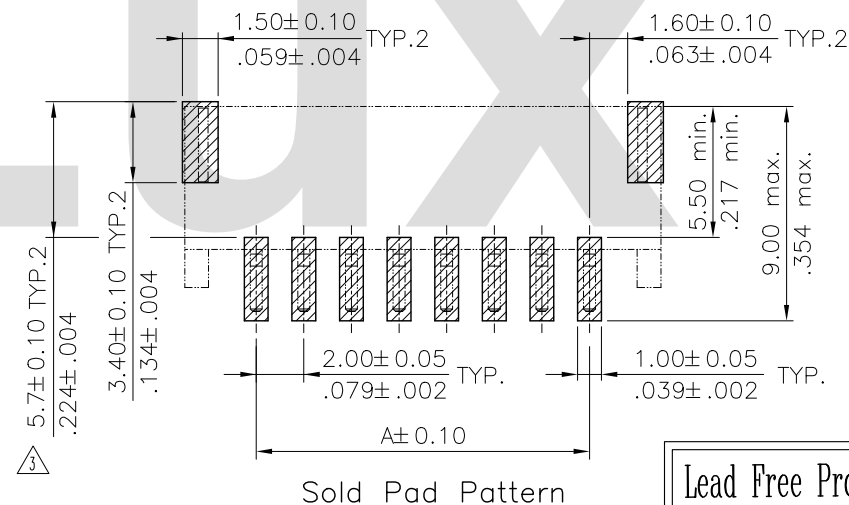
△ 1 * Available in 10,12,14 & 16 circuits



Ordering Code:

$\frac{C101}{①}$
 $\frac{**}{②}$
 $\frac{M}{③}$
 $\frac{1}{④}$
 $\frac{H}{⑤}$
 $\frac{R}{⑥}$
 $\frac{L}{⑦}$
 $\frac{-LF}{⑧}$

- ① Series No.
- ② No. of Circuits:
- ③ Contacts Type: M= SMT
- ④ Plating: 1= 3.05 μ m(120 μ ") Min. Tin over
1.27 μ m(50 μ ") Nickel(Matte Tin Finish)
- ⑤ Type: H= Right angle
- ⑥ Packing Options:
R= Tape & Reel
T= Tube Packing
- ⑦ Option: L= With Locking Latch
- ⑧ LF= For Lead Free IR Reflow Process



Sold Pad Pattern

Lead Free Process

RoHS Compliant

SYM	NAME	DATE	REVISIONS	APPROVED BY:	DATE	UNIT: mm / inch	TITLE: 2.00mm PITCH SIDE ENTRY SMT HEADER	瀚荃股份有限公司 CviLux Corporation			
△5	Enya	3/5-13'	ECN13056-0/ECR13007-1		DATE	UNIT: mm / inch	TITLE: 2.00mm PITCH SIDE ENTRY SMT HEADER	<div style="border: 2px solid red; border-radius: 50%; padding: 10px; display: inline-block; text-align: center;"> CVILUX CORP 2013.05.16 ISSUED </div>			
△4	Sun	5/25-11'	ECR10039-2/ECN11060	DRAWN BY:	Enya	3/05-13'	TOLERANCE UNLESS OTHERWISE SPECIFIED				
△3	Sandy	3/07-08'	ECN08131	ENGINEER:	Eisley	3/06-13'	.X ± 0.30/.012 X: ± 1'				
△2	Sandy	4/29-07'	ECN07153	CHECKED BY:	Eisley	3/06-13'	.XX ± 0.20/.008 .X: ±				
				APPROVED BY:	David	3/06-13'	.XXX ± 0.10/.004 .XX: ±				
DRAWING NO.	C10169SG	PART NO.	C101**M1H*L-LF	SCALE	3 / 1	SHEET	1 OF 2				

