

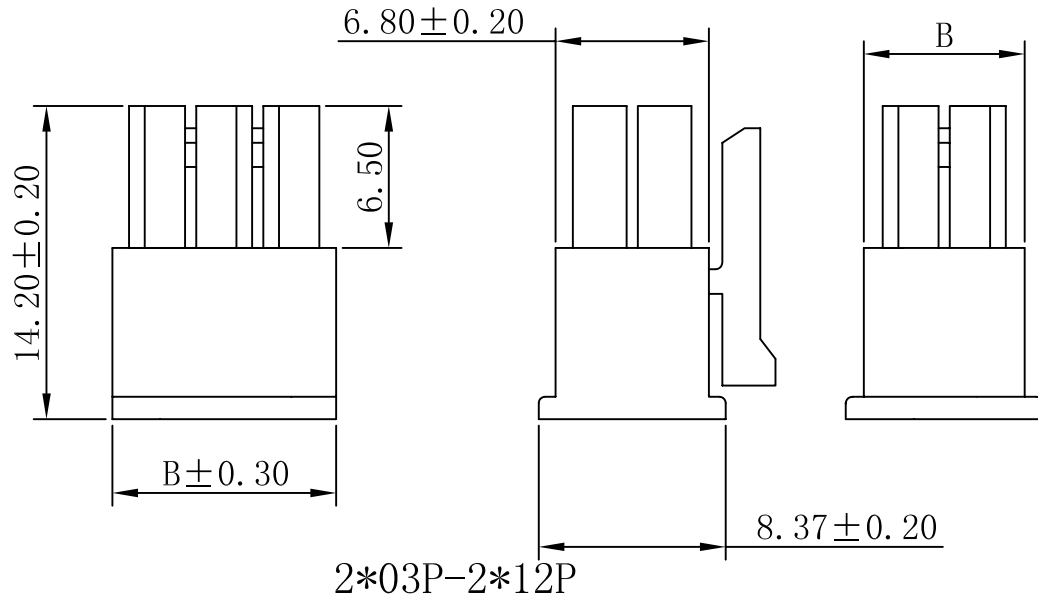
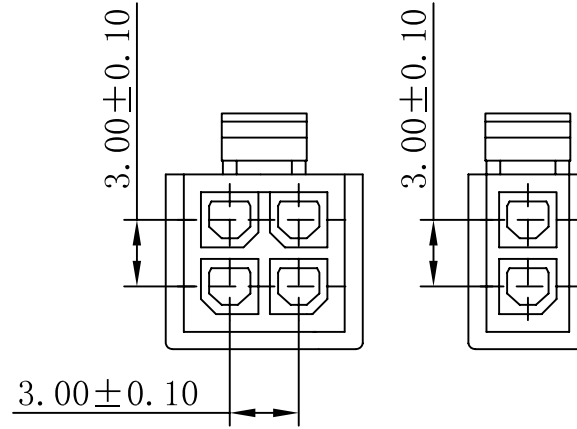
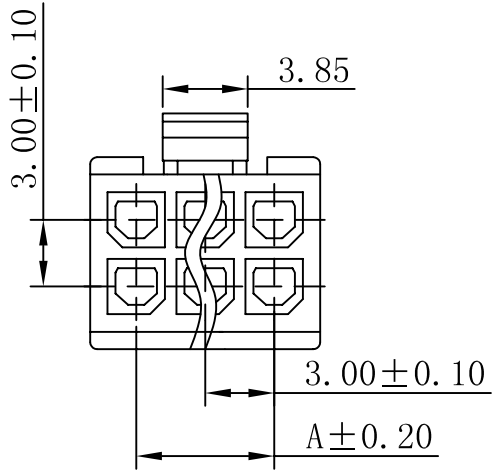
REV.	ECN NO.	LOCTIONS.	DESCRIPTION	DATE	CHANGER
A			新版本	2011-05-24	陈雄军

■ SPECIFICATIONS

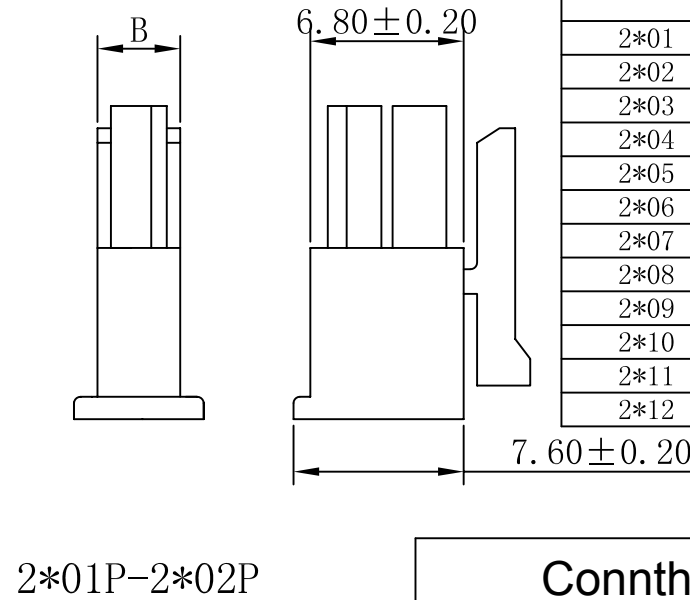
- Voltage rating: 250V AC, DC
- Current rating: 5A, AC, DC
- Withstanding Voltage: 1500V AC/minute
- Insulation resistance: 1000MΩ min
- Temperature range: -25° C ~ +105° C

■ HOUSING

- Part No. : H3025-2\*NP
- Poles: 02-24
- Material: Nylon 66 UL 94V-2 Black



2\*03P-2\*12P



2\*01P-2\*02P

Part No	Dimensions (mm)	
	A	B
2*01	---	3.80
2*02	3.00	6.80
2*03	6.00	9.80
2*04	9.00	12.80
2*05	12.00	15.80
2*06	15.00	18.80
2*07	18.00	21.80
2*08	21.00	24.80
2*09	24.00	27.80
2*10	27.00	30.80
2*11	30.00	33.80
2*12	33.00	36.80

<b>Conntherm</b>			TOCERANCE	
			0 ± 0.30	
TITLE			成品规格图	
			.0 ± 0.25	
CHECKED BY			DATE	
			2012-12-20	
DRAWN BY			SCALE	
			1:1	
陈雄军			VER NO.	
			A	
PART NO.			SIZE	
			A4	