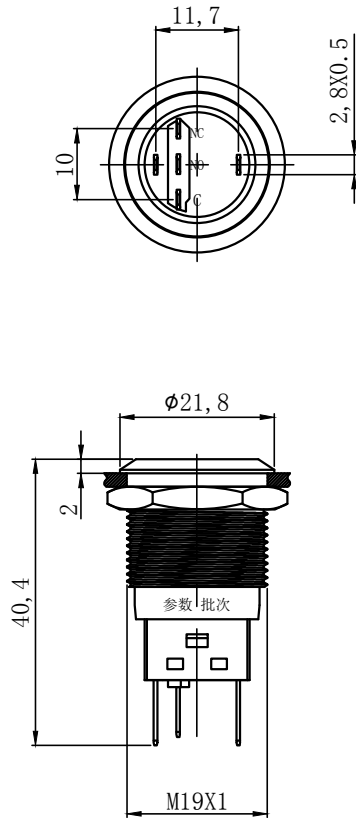
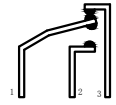


UNIT: mm (毫米)

HBAN 红波

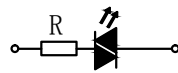


开关结构说明:
Switch structure description:

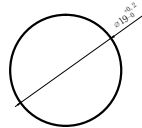


1, 2 — NO
1, 3 — NC

灯珠等效电路:
Lamp bead equivalent circuit:



安装孔尺寸:
Mounting hole size:



性能要求:

Performance requirements:

- 防护等级: IP67;
Protection grade: IP67
- 接触电阻: $\leq 50m\Omega$;
Contact resistance: $\leq 50m\Omega$
- 绝缘电阻: $\geq 100M\Omega$;
The insulation resistance: $\geq 100M\Omega$
- 抗电强度: AC2500V, 1min, 无闪烁、击穿;
Electrical resistance: AC2500V, 1min, no flicker and breakdown;
- 寿命: 电气部分在额定负载下动作5万次无异常。
Life: electrical part: operate 50,000 times under rated load without any abnormality.
机械部分: 动作100万次无异常;
Mechanical part: no abnormal movement for 100,000times

技术要求:

Technical requirements:

- 表面光洁, 平整无毛刺;
The surface is smooth and smooth without burr;
- 参数/批次字迹清晰, 无错位;
Clear handwriting of parameters/batches without any dislocation;
- 额定电压: Ith: 5A Ui: 250V;
Rated voltage: 5A Ui: 250V;
- 工作环境温度: $-25^{\circ}C \sim +65^{\circ}C$;
Working environment temperature: $-25^{\circ}C \sim +65^{\circ}C$;
- 动作形式: 自复式; 自锁式;
Action form: self-compound; self-locking ;
- 动作行程: 约3.2mm;
Movement stroke: about 3.2mm
- 连接形式: 配套接插件/焊接导线;
Connection form: supporting connector/welding wire;
- 拧紧力矩: 5~14Nm;
Tightening torque: 5~14nm;
- 开关组合: 1NO1NC; 2NO2NC;
Switch combination: 1NO1NC; 2NO2NC;
- 外观材料: 按键: PC/不锈钢;
外壳: 不锈钢;
底座: PBT;
触点: 银合金;
Appearance material: Keypad: PC/stainless steel;
Case: stainless steel;
Pedestal: PBT;
Contact silver alloy
- 未标注公差按照GB/T 1804-m级。
Unmarked tolerance shall be in accordance with GB/T 1804-f class.
- 灯珠参数: 额定电压: 6V/12V/24V/36V; 110V/220V;
额定电流: $\leq 20mA$;
Lamp bead parameters: rated voltage :6V/12V/24V/36V; 110V/220V;
Rated current: $\leq 20mA$
- 灯珠颜色: 红/绿/黄/橙/蓝/白;
Color: red/green/yellow/orange/blue/white
- 灯珠寿命: 50000小时。
Led life: 50000 hours.

描 图

描 校

底 图 号

装 订 号

					SHANGHAI HONGBO ELECTRIC CO. LTD.
					上海红波电器有限公司
					名称(TITLE): M19 Emergency stop button switch
标 记	处 数	更改文件号	签 字	日 期	M19金属防水按钮开关
DR 制 图	APPD. 审 核	SCALE 比 例	countersign 会 签	Date 日 期	
倪力晓	陈秋霞	1:1		2019.12.4	图号(DWG NO): HBS1-AGQF-11E(Z)/J/S
PW 单 重		P. 页 码	第1页 共1页(1/1)		