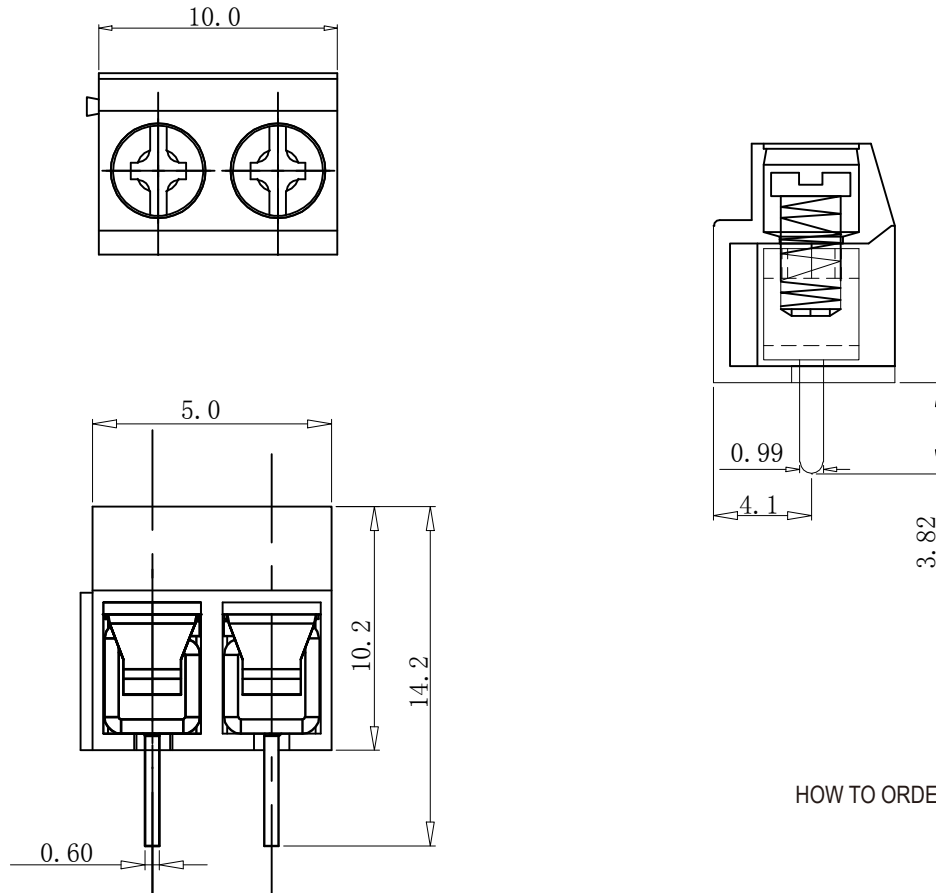




ULO GROUP
INSPIRING CONNECTIONS

NINGBO ULO ELECTRONICS CO LTD

product specification



Electrical

Standard: UL IEC/TUV
 Rated voltage: 300V 250V
 Rated current: 10A 18A
 Contact resistance: 20 mΩ
 Wire range: 26-14AWG, 0.5-2.5mm²
 Withstanding voltage: AC2000V/Min
 Insulation resistance: 500mΩ/DC500V

Mechanical

Temp Range: -40°C~+115°C
 Torque: 0.4Nm(3.5lb 'in)
 Strip length: 6-7mm

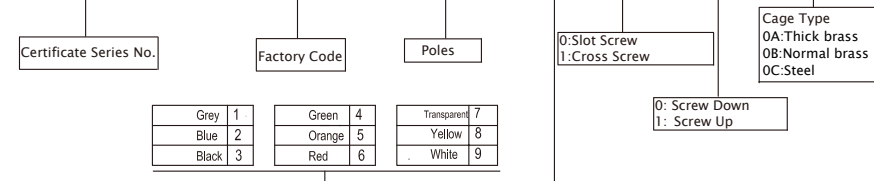
Dimensions

Pitch: 5.0mm
 Poles: 2P-24P

Material

Housing: PA66, UL94V-0
 Screws: M2.5, steel, Zinc plated
 Pin header: Brass/Stell, TiN plated
 Shrapnel: Stainless steel

HOW TO ORDER **ULO-TB** [] [] - [] [] [] [] - [] [] P - [] - [] - [] - [] [] []



Grey	1	Green	4	Transparent	7
Blue	2	Orange	5	Yellow	8
Black	3	Red	6	White	9

TOLERANCES EXCEPT AS NOTED

		linear dimension(Tolerances Standard GB/T 14486-2008)										≡	—	□	//	⊥
variable range	to	over 6 to 6	over 10 to 18	over 18 to 30	over 30 to 50	over 50 to 80	over 80 to 120	over 120 to 160	over 160 to 200	over 200 to 250	all	to 5	over 5 to 30	over 30 to 120	over 120 to	
	tolerance	±0.1	±0.14	±0.19	±0.25	±0.32	±0.43	±0.57	±0.72	±0.88	±1.05	±1.25	0.5	0.025	0.06	0.12

UNITS	mm	SIZE	A4	SCALE	THIRD ANGLE PROJECTION	
NINGBO ULO ELECTRONICS CO LTD						
					NAME	ULO-TB51-126/5.0