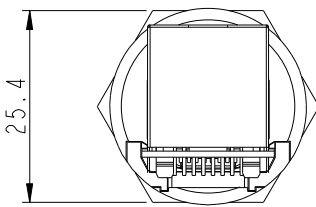
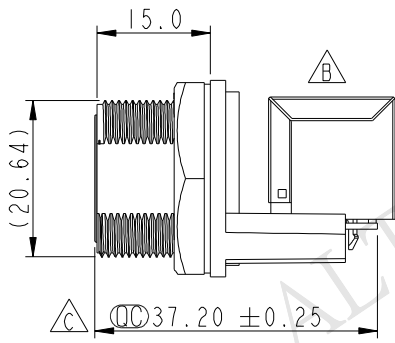
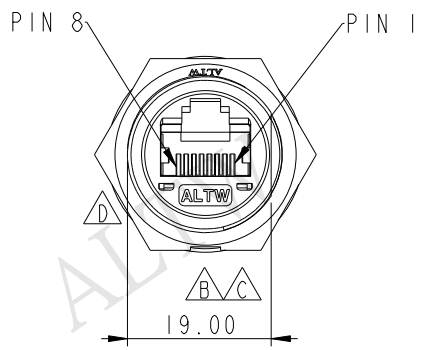
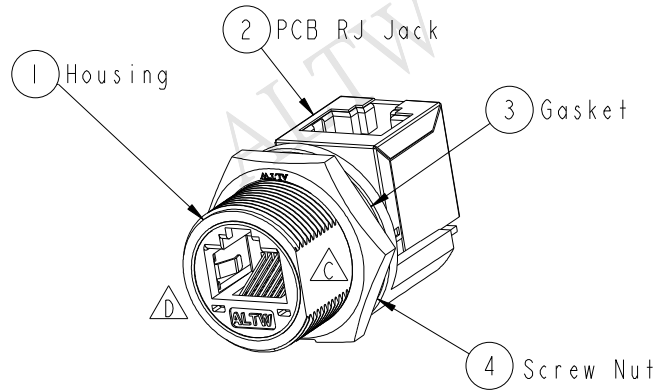
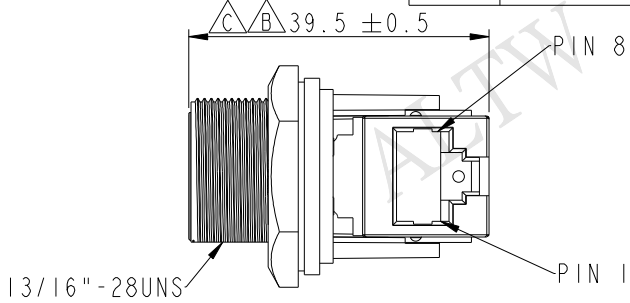
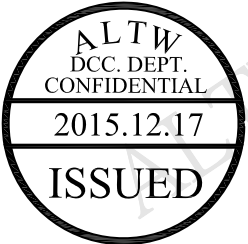
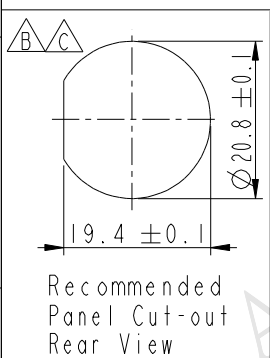
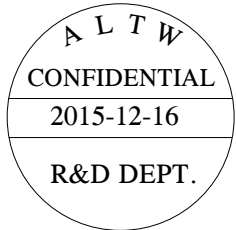


THIS DOCUMENT IS SUBJECT TO CHANGE WITHOUT NOTICE. IT IS CONFIDENTIAL AND A PROPERTY OF AMPHENOL LTW. DISCLOSURE TO THIRD PARTY HAS TO BE AUTHORIZED BY AMPHENOL LTW.

REV.	ECN NO.	DATE	SIGN	DESCRIPTION
B	LE313A0309	2013-09-07	Raison	Modify Jack, Note. Change H Cut
C	LEN1440098	2014-04-04	Tom_gu	Change H Cut To D Cut
D	LEN15C0255	2015-12-16	Jinhai	凸字底部修平



- Note:
- * \varnothing Important Dimension
 - * Waterproof Rate : IP67 Mated
 - * Housing : Nylon+GF, UL 94V-0, BLACK
 - * Screw Nut : Nylon+GF, BLACK
 - * Gasket : Silicone, UL 94V-0, Gray.
 - * PCB: FR-4
 - * Jack : PBT Polyester UL 94V-0
 - * Use without Waterproof cap or Dust cap
For Panel Thickness Max: 4.2mm
 - * Use with Waterproof cap or Dust cap
For Panel Thickness Max: 3.0mm
 - * Screw torsion value range: 8~12kgf-cm



UNIT: mm TOLERANCE .X ±0.25 .XX ±0.1 .XXX ±0.05 ANGLES ±1°	TITLE RJ45, C SIZE, MATED WP		Amphenol LTW 安費諾亮泰企業股份有限公司		ITEM NO RCP-5SPFFV-SCM7001	DRAWN BY Jinhai	DATE 2015-12-16
	SCALE 1:1	SIZE A4	SHEET 1	OF 1	DWG NO RCP-5SPFFV-SCM7001	CHECKED BY Tom	DATE 2015-12-16
	REV. D	WC-REV. C.2	\varnothing : Inspection item		CUSTOMER ALTW	APPROVED BY Jerry	DATE 2015-12-16
							8