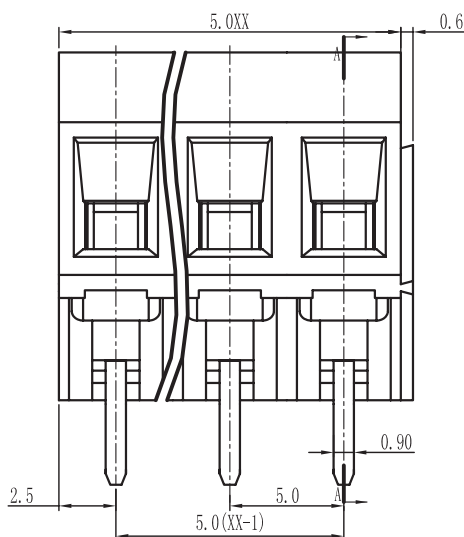
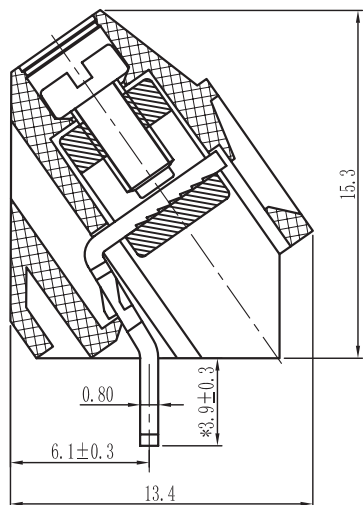
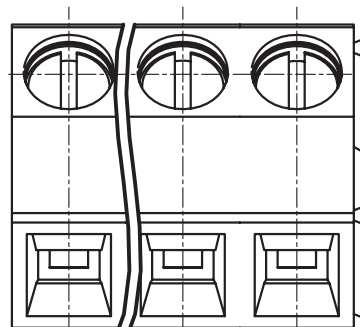


**P.C.B. LAYOUT**



电气性能/Electrical

参考标准/Standard: UL IEC  
 额定电压/Rated voltage: 300V 250V  
 额定电流/Rated current: 10A 18A  
 接触电阻/Contact resistance: 20mΩ  
 使用线径/Wire range: 24-12AWG 2.5mm<sup>2</sup>  
 耐电压/Withstanding voltage: AC2000V/1Min  
 绝缘电阻/Insulation resistance: 500MΩ/DC500V

机械性能/Mechanical

温度范围/Temp.Range: -40° C~+105° C  
 扭矩/Torque: 0.4Nm(3.61b`in)  
 剥线长度/Strip length: 6-7mm

尺寸/Dimensions

间距/Pitch: 5.0mm  
 极数/Poles: 2P-24P

材质及电镀/Material

塑件/Housing: PA66, UL94V-0  
 螺丝/Screws: M2.5, steel Zinc plated  
 方块/Cage: Brass, Ni plated

焊脚/Pin header: Brass, Snle plated

订购方式: ULO-TB  -  -  P -  -   
HOW TO ORDER

证书系列号/  
Certificate Series No.



工厂型号/  
Factory Code

位数/Poles

灰色/Grey	1	绿色/Green	4	透明/Transparent	7
蓝色/Blue	2	橙色/Orange	5	黄色/Yellow	8
黑色/Black	3	红色/Red	6	白色/White	9

客户要求/  
Customer Require

linear dimension(Tolerances Standard GB/T 14486-2008)												≡	—	□	//	⊥
variable range	to 6	over 6 to 10	over 10 to 18	over 18 to 30	over 30 to 50	over 50 to 80	over 80 to 120	over 120 to 160	over 160 to 200	over 200 to 250	over 250 to	all	to 5	over 5 to 30	over 30 to 120	over 120 to
	tolerance	±0.1	±0.14	±0.19	±0.25	±0.32	±0.43	±0.57	±0.72	±0.88	±1.05	±1.25	0.5	0.025	0.06	0.12

单位/UNITS	mm	尺寸/SIZE	A4	比例/SCALE	比例	第一视角/THIRD ANGLE PROJECTION	
						名称/NAME	ULO-TB25-103/5.0
 NINGBO ULO ELECTRONICS CO LTD 宁波欧路电子有限公司							