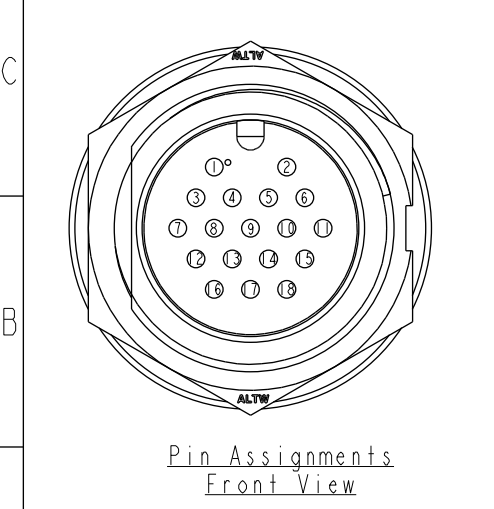
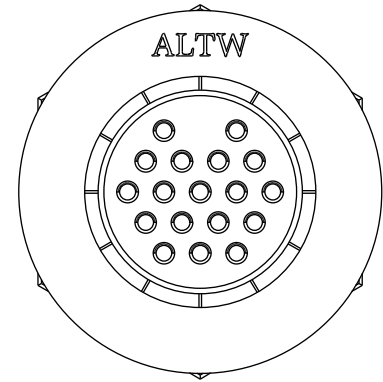
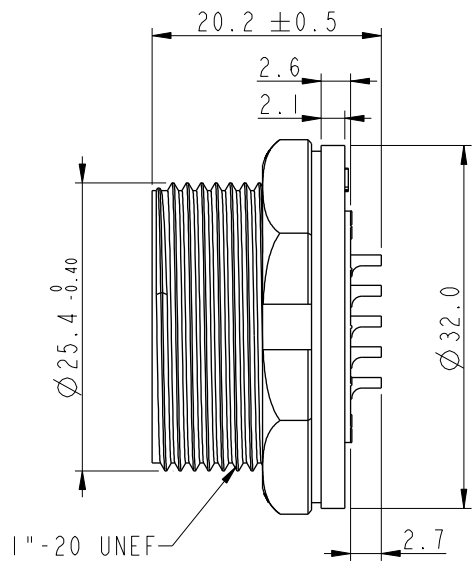
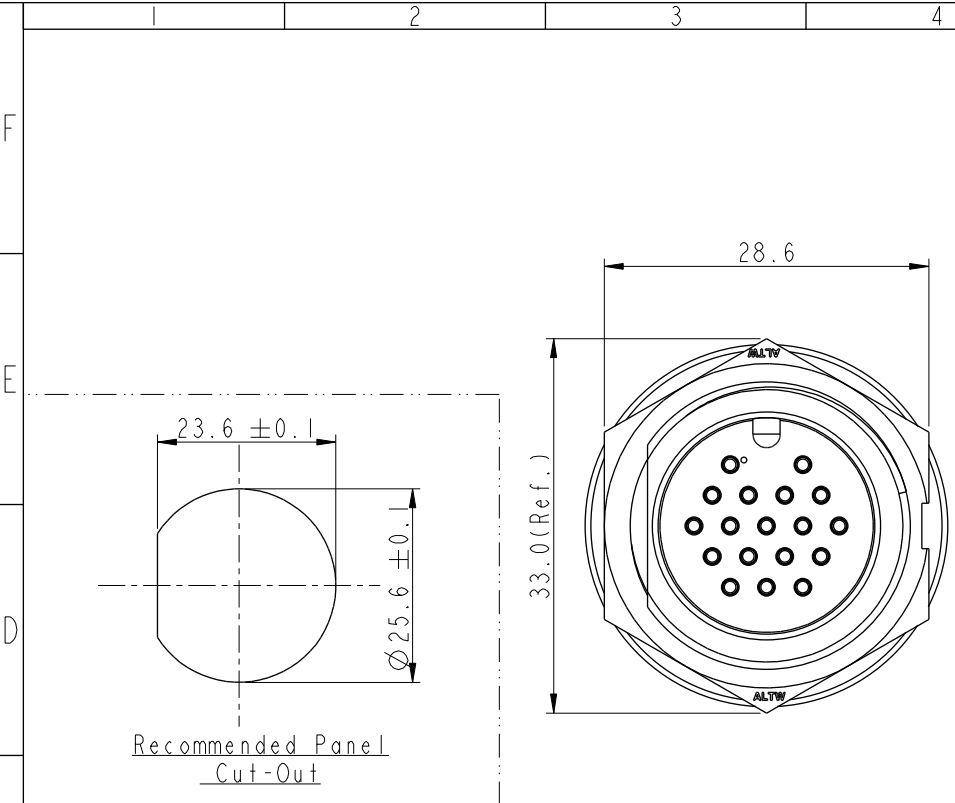
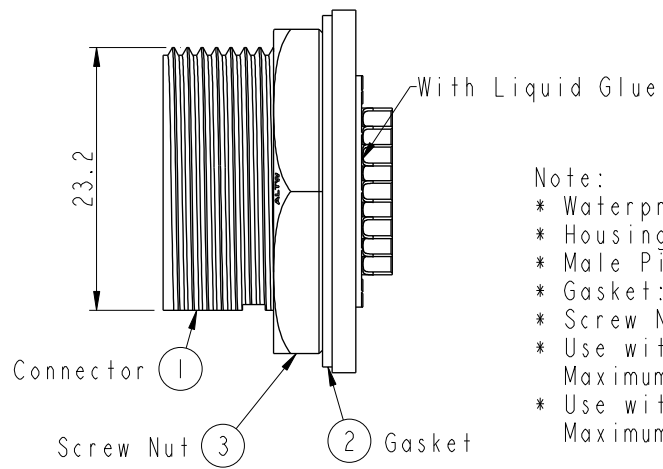


REV.	ECN NO.	DATE	SIGN	DESCRIPTION
A	Initial Release	2014-01-21	Jason.Yu	New Item



ALTW
CONFIDENTIAL
2014-01-21
R&D DEPT.

ALTW
DCC. DEPT.
CONFIDENTIAL
2014.02.21
ISSUED



- Note:
- * Waterproof Rate: IP67
 - * Housing: Nylon+GF, Black.
 - * Male Pin: Copper Alloy, Gold Plated
 - * Gasket: Silicone, Gray
 - * Screw Nut: Nylon+GF, Black
 - * Use with waterproof cap or dust cap
Maximum Panel Thickness: 1.5mm
 - * Use without waterproof cap or dust cap
Maximum Panel Thickness: 2.7mm

UNIT: mm		TITLE LARGE CNC PIN PANEL SCREW 18PIN M CONN M PIN			<h1>Amphenol LTW</h1> 安費諾亮泰企業股份有限公司	ITEM NO	DRAWN BY	DATE
		TOLERANCE .X ±0.25 .XX ±0.1 .XXX ±0.05 ANGLES ±1°	SCALE 3:2	SIZE A4		SHEET 1 OF 1	IDD-18PMMS-SC7001	Jason_yu
REV. A	WC-REV. A.2	QC: Inspection item		Customer	APPROVED BY	DATE		
				ALTW	Victor	2014-01-21		

THIS DOCUMENT IS SUBJECT TO CHANGE WITHOUT NOTICE. IT IS CONFIDENTIAL AND A PROPERTY OF Amphenol LTW. DISCLOSURE TO THIRD PARTY HAS TO BE AUTHORIZED BY Amphenol LTW.