

# IPC922-215-FL

2-slot Fanless System with Intel® Celeron® Processor J1900 (up to 2.42 GHz), PCIe & PCI Slots

NEW



Rich I/O



Phoenix plug for DC version



Din-jack (screw type) for AC version

## Features

- Intel® Celeron® Processor J1900 (up to 2.42 GHz)
- Fanless & ventilation-free
- Supports 2 expansion slots
- DC to DC power supply supports 18 ~ 28V
- Compact & front I/O design



▲ Rear view



## Specifications

Standard Color	Sliver
Construction	Aluminum extrusion heavy-duty cold-rolled steel
System Board	SHB215
Processor	CPU Level Intel® Celeron® processor
System	Max. Speed 2.42 GHz
	Front Side Bus N/A
	Chipset SoC
System Memory	1 x 204-pin DDR3L 1333 SO-DIMM socket, up to 8 GB
I/O Interface (Front)	4 x USB 2.0
	4 x RS-232-422-485 (COM 1/2/3/4)
	2 x RJ-45
	1 x VGA
	1 x Remote switch
	1 x Power on/off switch
	1 x ATX/AT mode SW
	1 x PS/2 key broad and mouse

Expansion Interface	HAB108: 2 PCI
	HAB103: 1 PCI & 1 PCIe x4
Storage	1 x 2.5" SATA HDD
	1 x onboard CompactFlash™ socket
System Indicators	1 x power on/off , 1 x HDD
Power Supply	DC ATX 120W:
	Input : 18~28VDC
	Output: +5V @ 6A, +3.3V @ 5A, +12V @ 5A, -12V @ 0.1A, 5Vsb @ 2.5A
	AC-DC power adapter:
	Input: 100~240VAC
	Output: +19V @ 4.74A
Operation Temperature	-10°C ~ +50°C (14°F~122°F)
Storage Temperature	-20°C ~ +80°C (-4°F ~ +176°F)
Humidity	10% ~ 90%, non-condensing
Dimensions	118 mm (4.6") (W) x 248 mm (9.8") (D) x 185 mm (7.3") (H)
Weight (net/gross)	4.22 kg (9.28 lb)/5.3 kg (11.68 lb)
Certification	CE

## Ordering Information

IPC922-215-FL-HAB103-AC (P/N: TBD)	2-slot fanless system with Intel® Celeron® Processor J1900, PCI & PCIe slots, DC-in ATX 120W P/S and AC-DC 90W power adaptor and US power cord
IPC922-215-FL-HAB103-DC (P/N: TBD)	2-slot fanless system with Intel® Celeron® Processor J1900, PCI & PCIe slots, DC-in ATX 120W P/S
IPC922-212-FL-HAB108-AC (P/N: TBD)	2-slot fanless system with Intel® Celeron® Processor J1900, PCI slots, DC-in ATX 120W P/S and AC-DC 90W power adaptor and US power cord
IPC922-212-FL-HAB108-DC (P/N: TBD)	2-slot fanless system with Intel® Celeron® Processor J1900, PCI slots, DC-in ATX 120W P/S

\*Specifications and certifications are based on options and may vary.

## Power Protection

### AC Version

OVP (over voltage protection)

OCP (over current protection)

SCP (short circuit protection)

### DC Version

SCP (short circuit protection)

OVP (over voltage protection)

OLP (over load protection)

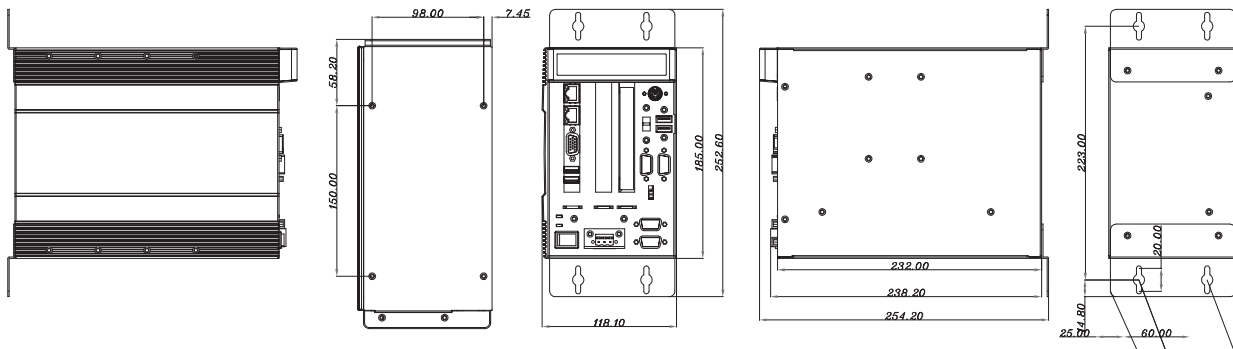
## Optional Items

AX93221-18/36: DVI card  
 40P-40P LVDS cable  
 DVI bracket for AX93221  
 2.5" SATA HDD: 250 GB, 320 GB, 500 GB  
 DDR3 SO-DIMM: 2 GB, 4 GB, 8 GB

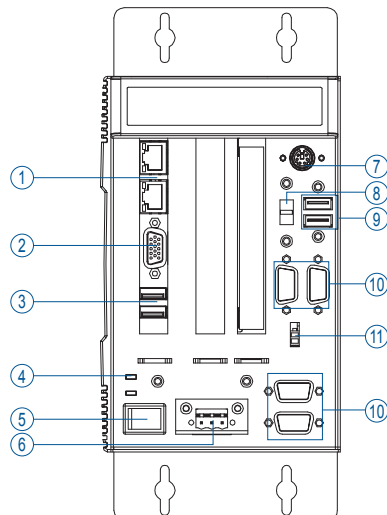
## Packing List

19V 90W adaptor and US power cord (for AC version)  
 Drive CD  
 Quick manual  
 Wall mount bracket x 2  
 Foot pad x 4  
 HDD bracket x 1  
 Screw pack x 1  
 Terminal Block x 1 (for DC version)  
 Remote power switch cable x 1

## Dimensions



## Front & Rear Metal Panel I/O Layout



1. Ethernet x 2
2. VGA port
3. USB 2.0 x 2
4. LED for power & HDD
5. ATX power switch
6. Power connector (Din-jack or Phoenix plug)
7. PS/2 connector
8. AT/ATX Mode switch
9. USB 2.0 x 2
10. 4 x RS-232/422/485(COM 1/2/3/4)
11. Remote power switch

