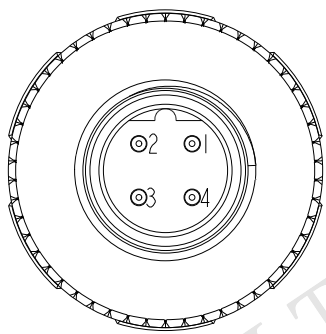
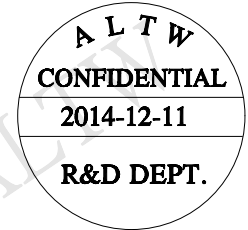
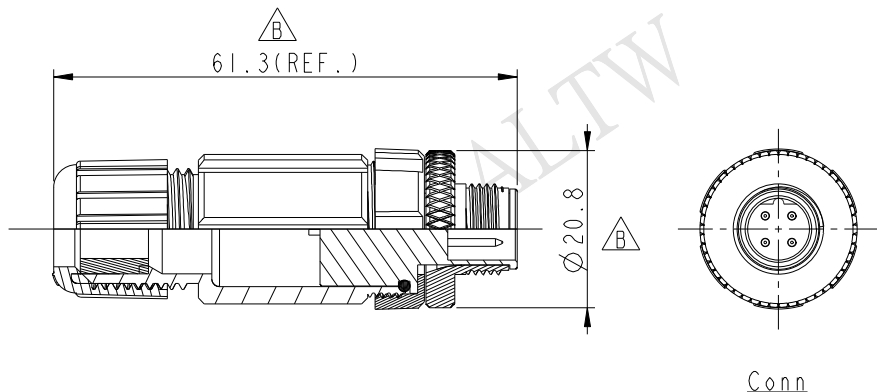
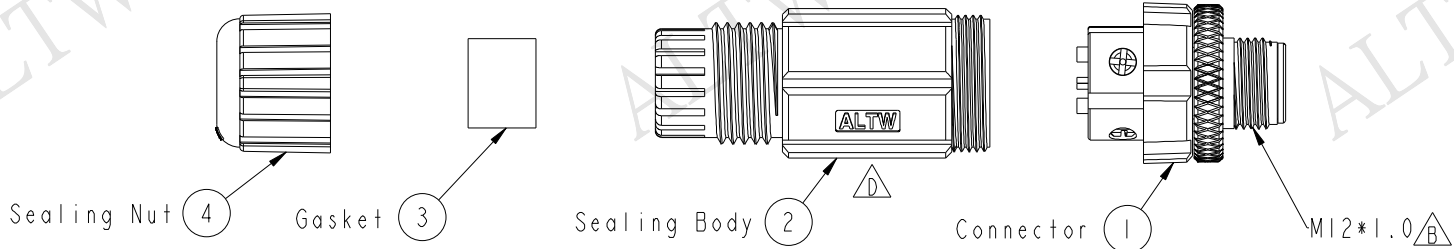


REV.	ECN NO.	DATE	SIGN	DESCRIPTION
C	LEN1350072	2013/04/29	Ruru	Modify Seals Cable OD
D	LEN1510028	2014/12/11	Jinhai	Change Conn Material & Logo



Pin Assignments
Front View

- Note:
- * CC Important Dimensions.
 - * Waterproof Rate : IP67
 - * Connector: PP, Black
 - * Pin: Copper Alloy, Gold Plated
 - * O-Ring: EPDM, Black
 - * Holder: Nylon+GF, Black
 - * Clamp Ring: Nylon 66, Black
 - * Gasket: EPDM, Black
 - * Sealing Nut: Nylon 66, Black
 - * Nut: Copper Alloy, Nickel Plated
 - * $\triangle C$ Seals For Cable OD $\text{Ø} 4.5\text{mm} \sim \text{Ø} 6.5\text{mm}$
 - * Temperature Range: $-40^{\circ}\text{C} \sim +85^{\circ}\text{C}$.

UNIT:mm		
TOLERANCE	.X ± 0.25	
	.XX ± 0.1	
	.XXX ± 0.05	
ANGLES	$\pm 1^{\circ}$	

TITLE M12 Screw In Male Conn 4Pin B Code			
SCALE 1:1	SIZE A4	SHEET 1 OF 1	
REV. D	WC-REV. B.1	CC : Inspection item	

Amphenol LTW
安費諾亮泰企業股份有限公司

ITEM NO. 12B-04BMMB-SL7001	DRAWN BY Jinhai	DATE 2014-12-11
DWG NO. 12B-04BMMB-SL7001	CHECKED BY Tom	DATE 2014-12-11
CUSTOMER ALTW	APPROVED BY Jerry	DATE 2014-12-11

THIS DOCUMENT IS SUBJECT TO CHANGE WITHOUT NOTICE. IT IS CONFIDENTIAL AND A PROPERTY OF Amphenol LTW. DISCLOSURE TO THIRD PARTY HAS TO BE AUTHORIZED BY Amphenol LTW.